



CIVILS

Surface water drainage systems
for civil projects

Version 1.8.5

Our benefit with HAURATON:

„The selection of a surface drainage system is an important consideration on most infrastructure projects.

Here you can count 100 % on several decades of **HAURATON** experience in manufacturing reliable and durable systems.“





Customer benefits

How you profit from HAURATON.

4



FASERFIX SUPER **NEW**

Drainage channels for extreme loads and high dynamic forces.

10



FASERFIX KS **NEW**

Stable and efficient drainage channels for commercial and public sectors.

56



RECYFIX PLUS X

Drainage channels with a protective edge for areas with higher traffic flows.

112



RECYFIX NC **NEW**

Highly stable and lightweight - linear drainage made of PP for civils engineering.

130



RECYFIX MONOTEC

Drainage system for traffic, parking and commercial areas.

158



RECYFIX HICAP F **NEW**

High capacity drainage system for the highest load category.

178



FASERFIX POINT KS

Durable point drainage for public and commercial areas.

218



FASERFIX TRAFFIC GUGIBLOC RECYFIX TRAFFIC GUGIBLOC

Drainage system for extreme conditions with high capacity.

228



SERVICE CHANNEL **NEW**

Accessible, floor-mounted system for temporary or permanent organisation and management of supply and information cables.

244



KERBFIX 305 **NEW**

Environmentally friendly heavy duty Kerb Drainage System.

274

„During the design and planning process the HAURATON Sales Team provides me with extensive support. This saves time and ensures that all environmental standards are met.“

My benefit as an Architect with HAURATON:



individual design support



meet all required standards



My benefit:
Security



Security in planning

HAURATON provides architects with the greatest possible planning security. Our products and processes are continually monitored and are subject to strict quality requirements.

Standards, approvals and warranty

- Channels certified to DIN EN 1433
- Test certificates from internationally recognised institutions
- CE-marking
- Quality certification in accordance to DIN EN ISO 9001:2008

Declaration of Performance (DoP) No. 104
 according to CPR = Construction Products Regulation 305/2011/EU (CPR=Construction Products Regulation) 305/2011/EU

1. Product type	PA66/PP SUPER 100 Drainage channels made from concrete 150x M
2. according current product overview	product range overview on www.hauraton.com
3. Types	FACTORY SUPER 100 L 500/1000mm, W 190mm, H 190 - 285mm
4. Intended use	Installation and operation of surface water in areas for pedestrians and/or footpaths area
5. Manufacturer	Hauraton GmbH & Co. KG Markstraße 13 78437 Isenhardt / GERMANY Tel.: +49 7122 268-0
6. Representative	not relevant
7. System for assessment and verification of CPD	3
8. Notified body (who made the initial test of the product and issued a test report)	Material-Testing-Institut (MTI) at the Institute for solid construction and building material technology at the University in Karlsruhe, registration no. 0254
9. Declared performance of the construction according to the harmonised technical specification	EN 1433:2002 + AC:2004 + A1:2005

Essential characteristics	Performance
Water tightness (connection of elements)	tested
Carrying capacity	up to class F 500 acc. point 1
Information under test	not relevant (because channels are not covers or gratings according to EN 1433)
Stability	Level 0, construction according to EN 1433
Levels for consistency (tested with weather effects)	For channels made out of concrete approved for increased traffic against frost and road salt: tested: n/a according

10. Legally binding declaration and signature
 No. 9. The manufacturer is responsible for issuing this declaration of performance in accordance with No. 4.
 Signed on behalf for the manufacturer and in the name of the manufacturer:

 Marcus Reuter
 Geschäftsführer



„With a reliable hydraulic calculation supplied by HAURATON in that vital preplanning stage, I can be sure the proposed drainage scheme will work correctly.“

My benefit as a Civil Engineer with HAURATON:



stable and durable channels



professional hydraulic calculation



My benefit:

Security



Security in the hydraulic calculations

HAURATON supports Civil Engineers and Planners

by providing layouts and hydraulic calculations for their surface water drainage schemes.

Hydraulic

- hydraulic calculation free of charge
- specially developed calculation programme
(In cooperation with the University of Prague)



hauraton
GmbH & Co KG
Werkstrasse 13
D-75437 Rastatt
Tel: +49 7222 956-0
Fax: +49 7222 956-102
E-Mail: marketing@hauraton.com
www.hauraton.com

Hydraulische Berechnung der Rinnenkapazität

Projekt	Musterbau
Baustelle/Einbaustelle	Musterstadt
Projektnummer	Muster
Strang	Faserfox Super 150
Rechenstrecke/Rechnung	Strang Nr. 1

hauraton

Speigelinnenverlauf der Flüssigkeit

Flüssigkeit	Wasser	Einzugsgebiet	640,0 m ²
Oberfläche des Einzugsgebietes	Asphalt	Abflussbeiwert	0,90
Regenintensität	100,0 l/s ha	Rechenwert	270,0 l/s ha
Rinnensystem	FASERFOX Super 150 - Länge 20,0 m		
Anschluss an die Vorflut	Einlaufkasten mit Ablauf DN 150 mm		

Errechnete Werte

Durchfluss	
erhöhter Freibord	17,28 mm
hydraulischer Nutzungsgrad	2,2 mm
Geschwindigkeit am Rinnenanfang	88,0 %
Die errechneten Daten setzen eine entsprechende Vorflut voraus	1,033 mm

Einzugsgebietsfläche Projektübersicht

„On any construction site, time is money. In my opinion HAURATON drainage channels are very resistant to on-site damage. In addition, the HAURATON SIDE-LOCK boltless locking system usually saves me hours of work installing gratings.“

My benefit as a Contractor with HAURATON:



tough channels and gratings



SIDE-LOCK grating system



My benefit:
Cost saving



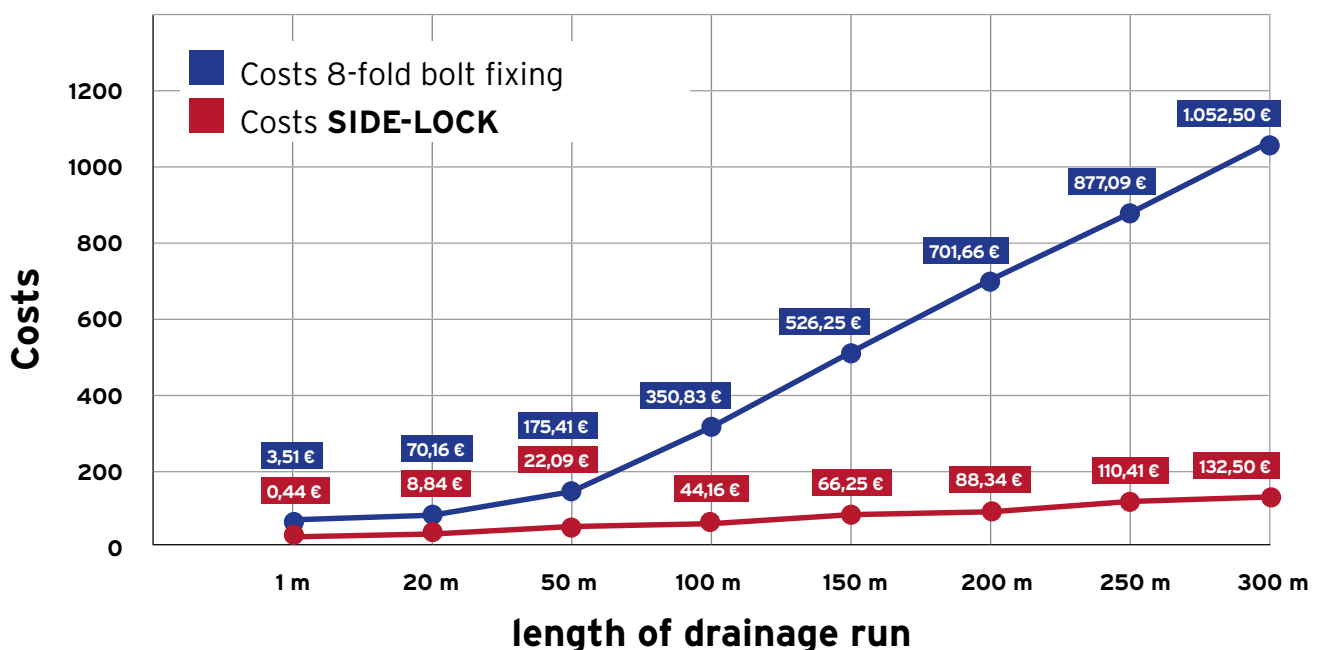
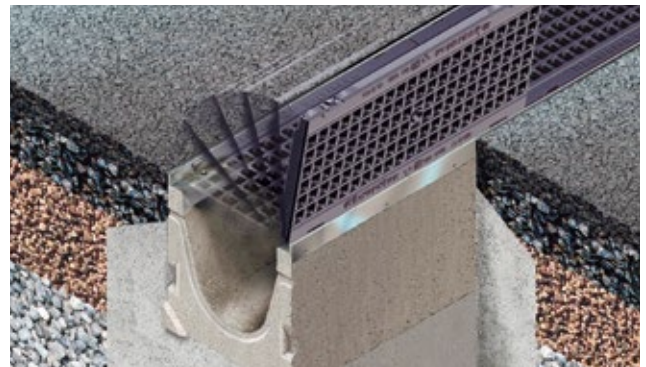
Practical test **SIDE-LOCK** - top efficiency is achieved with the boltless locking system

We measured the required time for the installation and replacement of the grating with the boltless locking system **SIDE-LOCK** against a conventional system with 8-bolt fastening per metre.

The results:

- Duration of the process with **SIDE-LOCK**: 30 seconds
- Duration with a 8-fold bolt fixing grating: 4 minutes and 12 seconds
- The result is a time-saving of 3 minutes and 42 seconds per linear metre when using **SIDE-LOCK**.

The diagram shows this huge difference, which becomes even more obvious when you multiply the time factor with an hourly rate of 40,00 €.



Here you can find the movie **SIDE-LOCK**:

or visit www.hauraton.com



FASERFIX SUPER

Drainage channels for extreme loads and high dynamic forces.

With the new
FASERFIX SUPER Angle Housing:

- 35 % more stability due to optimized construction
- 3 times better corrosion protection due to new zinc-magnesium coating



**Racetrack
„Sochi Autodrom“**



FASERFIX SUPER

Drainage channels for extreme loads and high dynamic forces.

1 Requirements

Drainage channels in heavy traffic areas must

- withstand to extreme loads and high dynamic forces.
- be particularly stable to ensure a long-term security.
- be resistant to environmental influences. (frost, heat, moisture)

2 Application areas

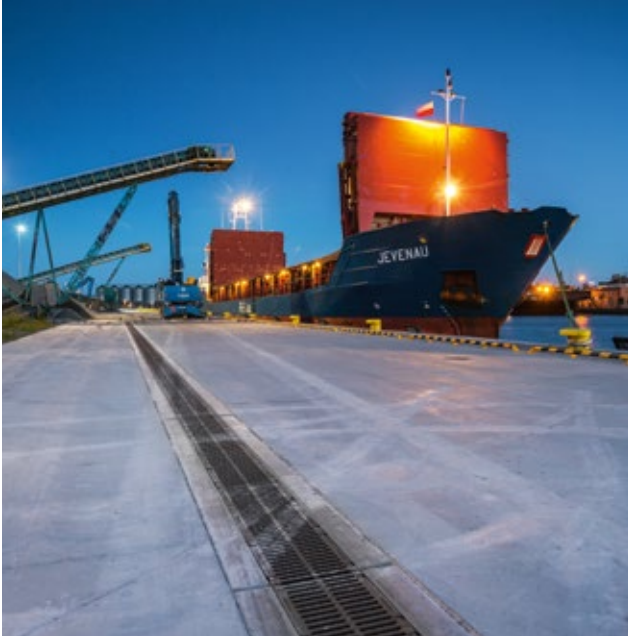
- traffic areas for industry
- container terminals and ports
- roads and tunnels
- petrol stations and service areas
- airports

3 Solutions

Therefore FASERFIX SUPER channels offer solutions for any type of application in heavy duty traffic areas:

- large channels made from fibre-reinforced concrete (Basalt fibres)
- highly stable connection between angle housing and concrete
- optimal corrosion protection due to new zinc-magnesium coating of the steel angle housing
- stable gratings in the classes D 400, E 600 and F 900 according to DIN EN 1433
- grating securely located in 40 mm deep angle housings
- nominal sizes from 100 to 500 mm each in different heights
- boltless locking system SIDE-LOCK with additional eight bolt fixing per metre is possible
- safety joint for easy sealing





Port in Gdansk, Poland



Airport Aulnat, France



Container terminal and port, Latvia



Traffic area for industry, Germany

FASERFIX® SUPER
FASERFIX® KS
RECYFIX® PLUS X
RECYFIX® INC
RECYFIX® MONOTEC
RECYFIX® HICAP®F
FASERFIX® POINT KS
FASERFIX® TRAFFIC GUGIBLOC RECYFIX® TRAFFIC GUGIBLOC
SERVICE CHANNEL
KERBFIX 305

FASERFIX SUPER

Drainage channels for extreme loads and high dynamic forces.

Maximum security through reliable drainage systems for „Sochi Autodrome“ racetrack.

FASERFIX SUPER channels withstand high dynamic forces and extreme conditions as was demonstrated at the „Grand Prix of Russia“ on the racetrack in Sochi. The 4,400 m of built-in FASERFIX channels offer the racers a high level of security during the Grand Prix. The track also runs through the Olympic Park and was designed by German racetrack expert Hermann Tilke. The project management team from HAURATON and Tilke implemented the surface drainage together.



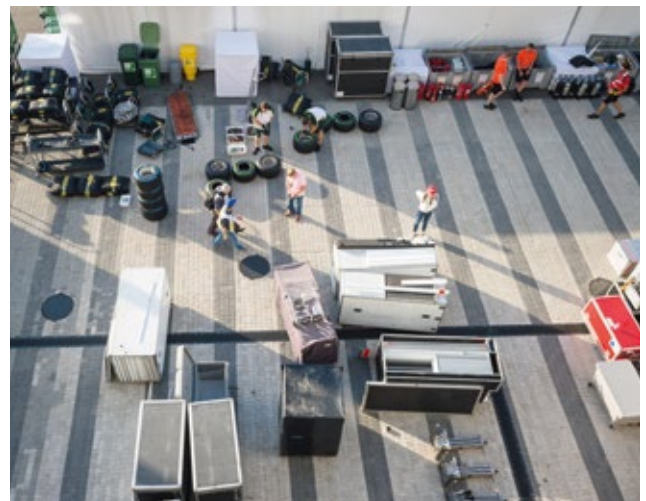
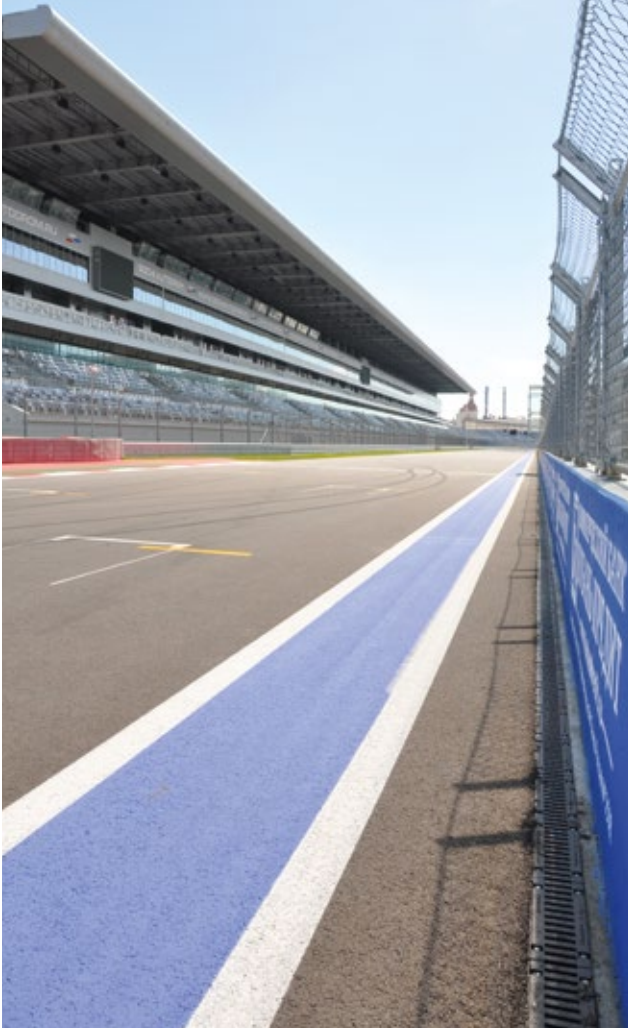
Particularly high demands:

- extreme loads on drainage channels due to suction effects of cars with maximum speeds over 300 km/h
- additional high loads by trucks and forklifts in the paddock, pit-lane and service areas
- exact installation of +/- 2 mm required
- problematic construction traffic resulted in requiring extremely high lateral stability of the channels
- upwardly open T and cross connections, so that the channels in the paddock can additionally be used as a cable channel
- installation of asphalt and paving construction directly to the channel corresponding to class D 400

Drainage channels:

- 2,225 m FASERFIX SUPER channels (in racetrack area, T16-T18), over 2,100 m FASERFIX SUPER 150 and 200 (paddock area) and RECYFIX 150 with slotted cover (racetrack, T16-T18)
- channels were installed with customized special components





FASERFIX® SUPER
FASERFIX® KS
RECYFIX® PLUS X
RECYFIX® INC
RECYFIX® MONOTEC
RECYFIX® HICAP®F
FASERFIX® POINT KS
FASERFIX® TRAFFIC GUGIBLOC RECYFIX® TRAFFIC GUGIBLOC
SERVICE CHANNEL
KERBFIX 305

YOUR BENEFITS WITH **FASERFIX SUPER**

HIGH PERFORMANCE ANGLE HOUSING AND SIDE-LOCK

- 40 mm x 40 mm angle housing and recessed grating
- optimum corrosion protection due to zinc-magnesium coating
- extremely stable connection between steel frame and concrete channel body
- 16-fold fixing possibility of the grating per meter (8-fold **SIDE-LOCK** and 8-fold optional bolting).
- additional protection against longitudinal movements (anti-shear device)
- 90 % time saving when fastening with **SIDE-LOCK** (compared to conventional fastening)
- insertion or replacement of the grating possible without special tooling
- Revisable screw connection due to replaceable nut

= QUALITY ASSURED & COST SAVINGS



HIGH-TECH MATERIAL

- „Made in Germany“
- maximum stability through fibre-reinforced concrete (Basalt fibres) with low weight
- adheres well to foundation concrete (same coefficient with regard to thermal expansion)
- installation without grating possible
- fire resistance class A1 (not flammable) according to DIN 4102

= QUALITY- & PERFORMANCE ASSURED



HIGH STABILITY

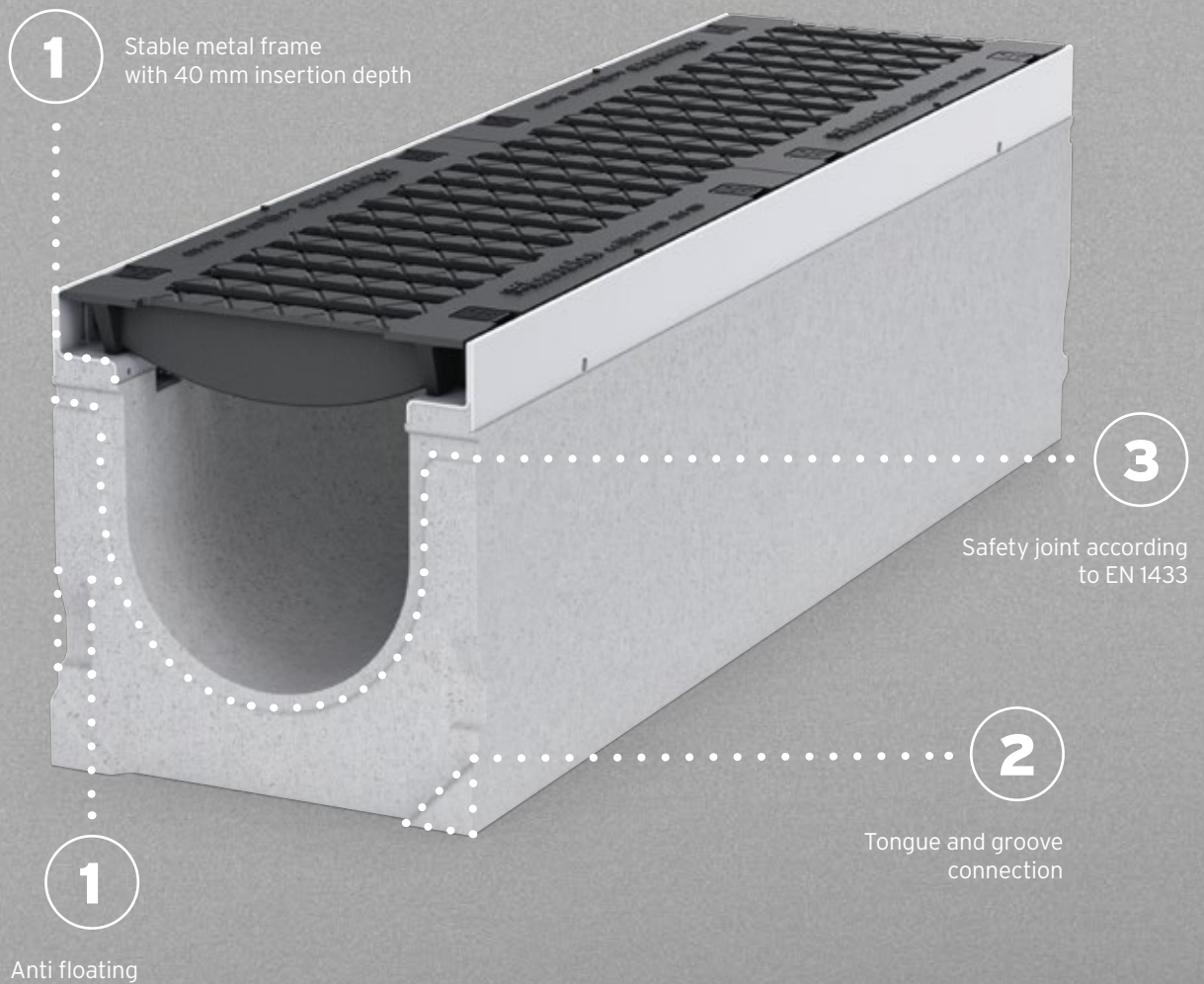
- maximum lateral stability through extra thick walls compared to many competitors' products for additional security in extreme situations
- installation for asphalted surface up to class E 600 without concrete stretcher

= PERFORMANCE ASSURED



IDEAL FOR ...


applications with heavy loads and high dynamic forces up to class F 900, such as traffic areas for industry, roads and petrol stations.





FASERFIX SUPER


Drainage channels for extreme loads and high dynamic forces.


FASERFIX SUPER channels meet the requirements of DIN EN 1433 and are suitable for the following load categories:


-  **Category A 15,**
Load class 15 kN

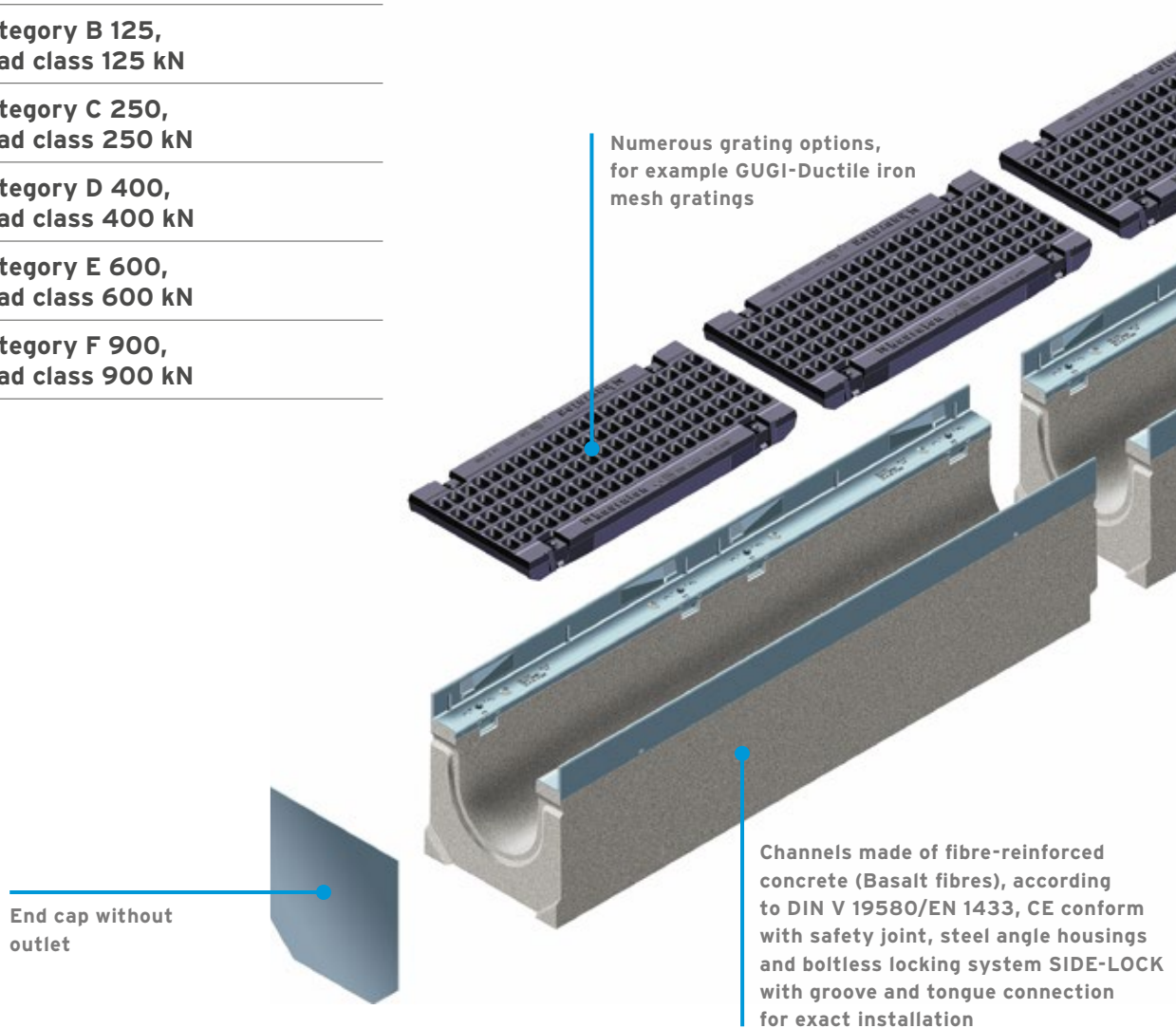
-  **Category B 125,**
Load class 125 kN

-  **Category C 250,**
Load class 250 kN

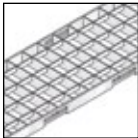



-  **Category D 400,**
Load class 400 kN

-  **Category E 600,**
Load class 600 kN

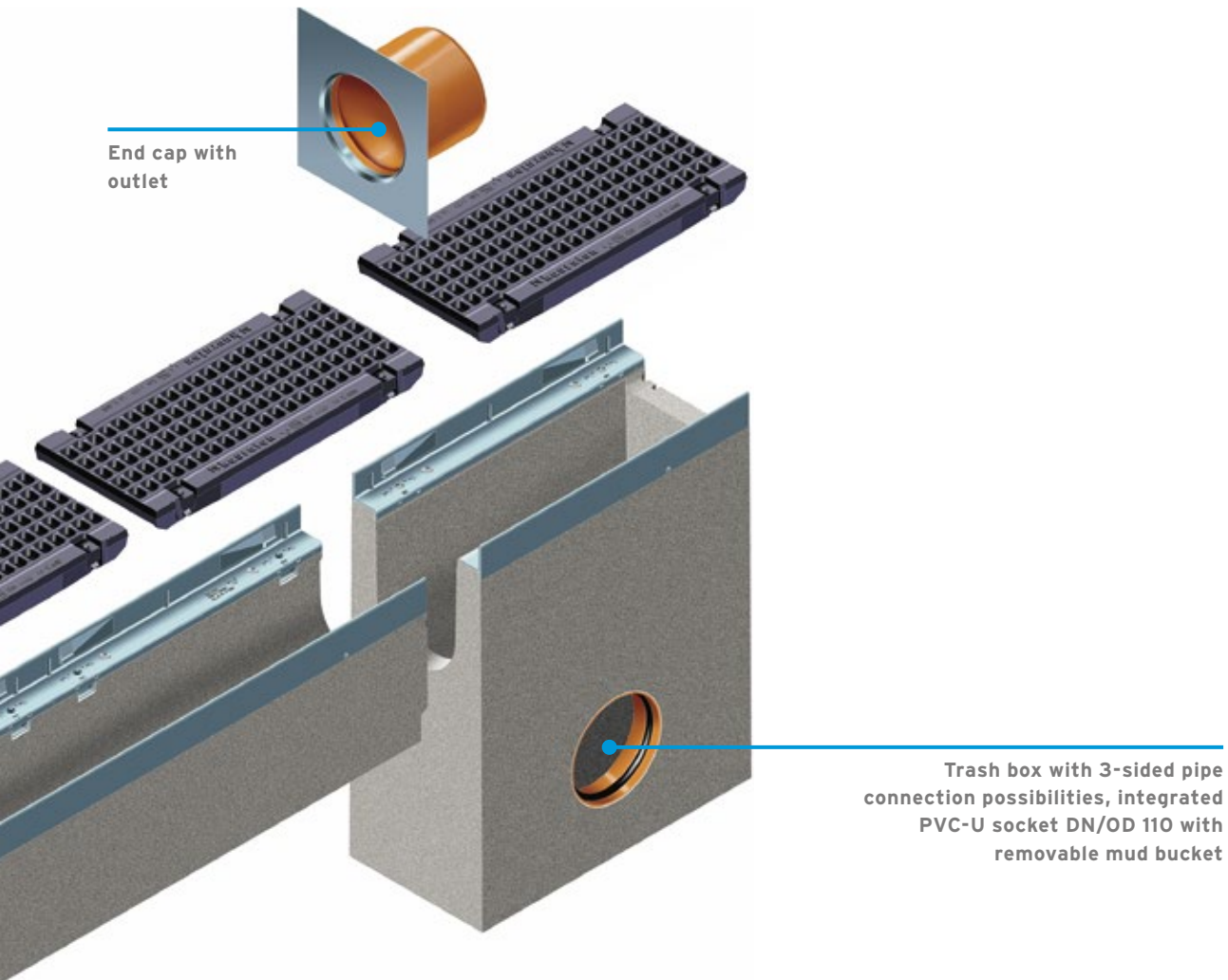
-  **Category F 900,**
Load class 900 kN



Grating options FASERFIX SUPER Channels

	Mesh grating*	GUGI-Ductile iron mesh gratings*	Ductile iron gratings*	Solid covers*
Load categories				
C 250	300		300	
D 400			100, 150, 200, 300, 400, 500	
E 600		150, 200, 300, 400	500	150, 200, 300, 400, 500
F 900		100	150, 200, 300, 400, 500	

* sizes are nominal widths



Widths and heights of **FASERFIX SUPER**:



Nominal sizes	100			150			200			300			400			500		
Type 01	190	190	190	240	255	195	290	305	240	390	415	345	490	540	455	590	630	540
Type 01E	-	-	-	240	255	195	290	305	240	390	415	345	490	540	455	-	-	-
Type 01H	-	-	-	-	-	-	-	-	-	390	630	545	490	630	545	-	-	-
Type 010	190	235	185	240	309	249	290	350	285	390	460	390	-	-	-	-	-	-
Type 010E	-	-	-	-	-	-	290	350	285	-	-	-	-	-	-	-	-	-
Type 020	190	285	235	-	-	-	290	400	335	390	510	440	-	-	-	-	-	-
Type 020E	-	-	-	240	369	309	290	400	335	-	-	-	-	-	-	-	-	-
available with built-in fall	-			x			x			x			-			-		



Width/Height/Inside height (in mm)

FASERFIX® SUPER 100

Channels

NEW FASERFIX® SUPER 100 with galvanised angle housings, up to load class F 900

Type 01, 1,0 m

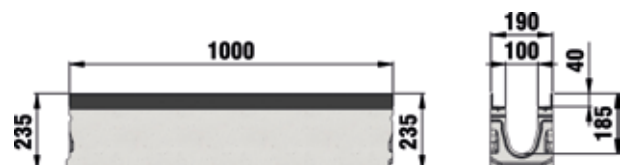


	Length mm	Width mm	Height mm	Internal channel cross-sect. cm ²	Weight kg	Item No.
Type 01, 1,0 m	1000	190	190	80	51,59	26000
Type 0105, 0,5 m	500	190	190	80	25,30	26049
Type 01L with outlet, DN/OD 110, 1,0 m*	1000	190	190	80	50,20	26045
Type 010, 1,0 m	1000	190	235	125	61,00	26042
Type 01005, 0,5 m	500	190	235	125	31,00	26050
Type 010L, with outlet, DN/OD 110, 1,0 m*	1000	190	235	125	59,70	26046
Type 020, 1,0 m	1000	190	285	175	70,47	26044
Type 02005, 0,5 m	500	190	285	175	38,00	26048
Type 020L, with outlet, DN/OD 110, 1,0 m*	1000	190	285	175	69,17	26047

* Position of the opening to the bottom of the channel. 100 mm from the centre of the hole (DN/OD 110) to the end of the channel.

FASERFIX® SUPER 100 with ductile iron angle housings, up to load class F 900

Type 010 with KTL-coated ductile iron angle housing, 1,0 m



	Length mm	Width mm	Height mm	Internal channel cross-sect. cm ²	Weight kg	Item No.
Type 01 with KTL-coated ductile iron angle housing, 1,0 m	1000	190	190	80	52,42	1400
Type 010 with KTL-coated ductile iron angle housing, 1,0 m	1000	190	235	125	61,32	1442
Type 01005 with KTL-coated ductile iron angle housing, 0,5 m	500	190	235	125	31,21	1450
Type 020 with KTL-coated ductile iron angle housing, 1,0 m	1000	190	285	175	73,42	1444

Bolting required - see further accessories

FASERFIX®SUPER 100

Gratings

FASERFIX®SUPER 100, class D 400*



Ductile iron grating, SW 94/16 mm, black, with plastic caps, 0,5 m



Ductile iron grating SW 94/16 mm, black, KTL-coated, with plastic cap, locked, 0,5 m

	Length mm	Width mm	Height mm	Intake cross-sect. cm ² /m	Weight kg	Item No.
Ductile iron grating, SW 94/16 mm, black, with plastic caps, 0,5 m	500	179	40	360	5,90	6063
Ductile iron grating SW 94/16 mm, black, KTL-coated, with plastic cap, locked, 0,5 m	500	179	40	360	6,10	6663
Ductile iron grating SW 94/16 mm, galvanised, with plastic caps, 0,5 m	500	179	40	360	5,97	6683

* Not for use across the carriageway of highways or motorways in moving traffic.

FASERFIX®SUPER 100, class F 900



GUGI-Ductile iron mesh grating, MW 15/25 mm, black, with plastic caps, 0,5 m



GUGI Ductile iron mesh grating, MW 15/25 mm, black, locked, KTL-coated, with plastic caps, 0,5 m

	Length mm	Width mm	Height mm	Intake cross-sect. cm ² /m	Weight kg	Item No.
GUGI-Ductile iron mesh grating, MW 15/25 mm, black, with plastic caps, 0,5 m	500	179	40	494	7,60	6060
GUGI Ductile iron mesh grating, MW 15/25 mm, black, locked, KTL-coated, with plastic caps, 0,5 m	500	179	40	494	7,60	6660

FASERFIX®
SUPER

FASERFIX®
KS

RECYFIX®
PLUS X

RECYFIX®
INC

RECYFIX®
MONOTEC

RECYFIX®
HICAP®F

FASERFIX®
POINT KS

FASERFIX®
TRAFFIC GUGIBLOC
RECYFIX®
TRAFFIC GUGIBLOC

SERVICE
CHANNEL

KERBFIX 305

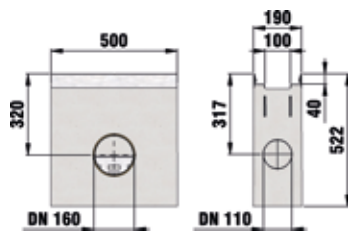
FASERFIX® SUPER 100

Accessories

Trash boxes



Trash box with galvanised mud bucket



Trash box with ductile iron angle housing and galvanised mud bucket

	Length mm	Width mm	Height mm	Weight kg	Item No.
NEW Trash box with galvanised mud bucket	500	190	522	59,00	26052
Trash box with ductile iron angle housing and galvanised mud bucket	500	190	522	62,06	1452

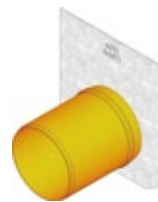
End caps



End cap closed, type 01



End cap closed, galvanised, type 010



End cap with horizontal PVC-U pipe outlet galvanised, type 010

	Length mm	Width mm	Height mm	Weight kg	Item No.
End cap closed, type 01	-	190	165	0,48	6081
End cap closed, galvanised, type 010	-	190	210	0,51	6082
End cap closed, galvanised, type 020	-	190	260	0,76	6083
End cap with horizontal PVC-U pipe outlet galvanised, type 010	-	190	210	0,66	6092
End cap with horizontal PVC-U pipe outlet galvanised, type 020	-	190	260	0,80	6093

The quality of stainless steel material corresponds to CNS 1.4301.

FASERFIX® SUPER 100

Further accessories



PVC-U pipe connection element DN/OD 160



Mud bucket vertical made of modified composite for outlet DN/OD 110, black



Installation aid NW 100 (exclusively for laying channels! For laying 2 pieces are necessary) - due to security reasons no return can be made

	Length mm	Width mm	Height mm	Weight kg	Item No.
Hexagon bolt with locking serration, stainless steel, M 10 x 50	-	-	-	0,04	99938
Caps for hexagon bolts	24	24	7	-	91100
Foul air trap DN/OD 110, with hole	-	-	103	0,24	964
PVC-U pipe connection element DN/OD 160	-	-	-	0,50	906
Mud bucket vertical made of modified composite for outlet DN/OD 110, black	100	100	85	0,04	40293
Universal sealant/adhesive Siga-Meltell® 320 black**	-	-	-	0,97	19051
Tubular pistol for universal sealant/adhesive Siga-Meltell® 320 black**	-	-	-	1,30	6891
Installation aid NW 100 (exclusively for laying channels! For laying 2 pieces are necessary) - due to security reasons no return can be made	-	-	-	1,60	705

** Consumption for channel type O20: approx. 85 ml per joint.

Factory-made services



Cutting to length of NW 100



Cutting for gradient for all nominal widths



Drilling of connecting holes DN/OD 110



Fixing-system EP, empty pipe in the channel bottom, (2 pieces per metre)

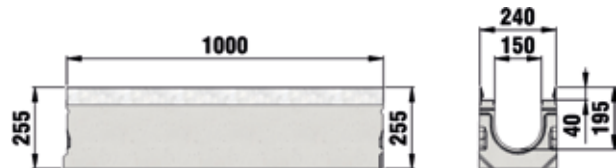
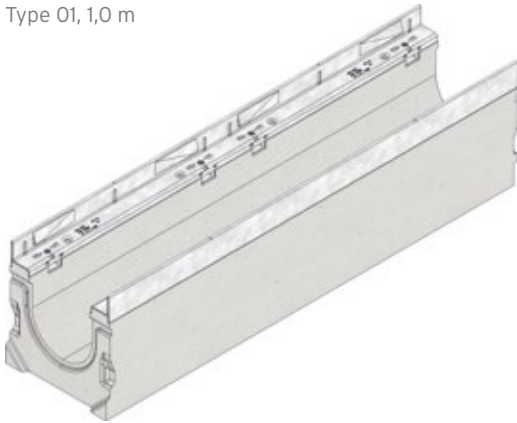
	Length mm	Width mm	Height mm	Weight kg	Item No.
Cutting to length of NW 100	-	-	-	-	990
Mitre cuts NW 100 (price per cut, two cuts necessary)	-	-	-	-	995
Cutting for gradient for all nominal widths	-	-	-	-	890
Drilling of connecting holes DN/OD 110	-	-	-	-	972
Factory-made insertion of modified PP union connectors DN/OD 75 (incl. drilling)	-	-	-	-	981
Factory-made insertion of PVC-U union connectors DN/OD 110 (incl. drilling)	-	-	-	-	982
Fixing-system EP, empty pipe in the channel bottom, (2 pieces per metre)	-	-	-	0,03	703
steel bars for fixing system EP (2 pieces per metre)	-	-	-	0,01	704

FASERFIX® SUPER 150

Channels

NEW FASERFIX® SUPER 150 with galvanised angle housings, up to load class F 900

Type 01, 1,0 m



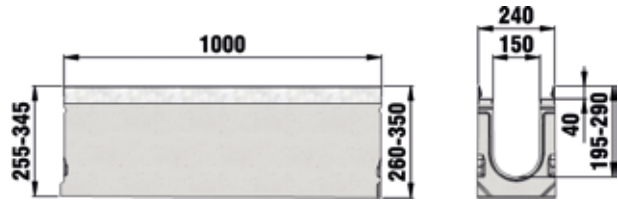
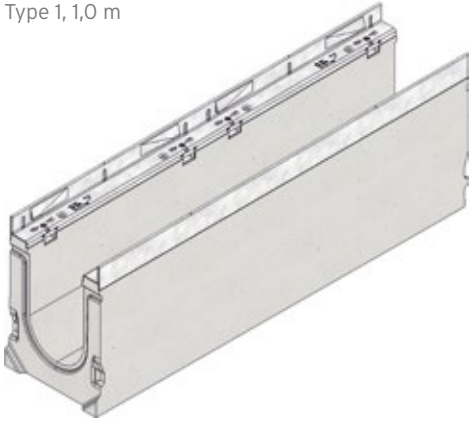
	Length mm	Width mm	Height mm	Internal channel cross-sect. cm ²	Weight kg	Item No.
Type 01, 1,0 m	1000	240	255	205	75,30	22000
Type 01L with hole, DN/OD 160, 1,0 m*	1000	240	255	205	77,00	22035
Type 0105, 0,5 m	500	240	255	205	37,00	22049
Type 010, 1,0 m	1000	240	300	272	84,40	22042
Type 010L with hole, DN/OD 160, 1,0 m*	1000	240	300	272	82,40	22036
Type 020, 1,0 m	1000	240	350	345	95,60	22044
Type 020L with hole, DN/OD 160, 1,0 m*	1000	240	350	345	93,60	22037
Type 01 E, 1,0 m	1000	240	255	223	80,00	22105

* Position of the opening to the bottom of the channel. 130 mm from the centre of the hole (DN/OD 160) to the end of the channel.

FASERFIX®SUPER 150

NEW FASERFIX®SUPER 150 with built-in fall 0.5 %, up to load class F 900

Type 1, 1,0 m



	Length mm	Width mm	Height mm	Internal channel cross-sect. cm ²	Weight kg	Item No.
Type 1, 1,0 m	1000	240	255 - 260	212	76,21	22001
Type 2, 1,0 m	1000	240	260 - 265	220	77,12	22002
Type 3, 1,0 m	1000	240	265 - 270	227	78,03	22003
Type 4, 1,0 m	1000	240	270 - 275	235	78,94	22004
Type 5, 1,0 m	1000	240	275 - 280	242	79,85	22005
Type 6, 1,0 m	1000	240	280 - 285	249	80,76	22006
Type 7, 1,0 m	1000	240	285 - 290	257	81,67	22007
Type 8, 1,0 m	1000	240	290 - 295	264	82,58	22008
Type 9, 1,0 m	1000	240	295 - 300	272	83,49	22009
Type 10, 1,0 m	1000	240	300 - 305	279	85,52	22010
Type 11, 1,0 m	1000	240	305 - 310	285	86,65	22011
Type 12, 1,0 m	1000	240	310 - 315	293	87,76	22012
Type 13, 1,0 m	1000	240	315 - 320	300	88,88	22013
Type 14, 1,0 m	1000	240	320 - 325	307	90,00	22014
Type 15, 1,0 m	1000	240	325 - 330	315	91,12	22015
Type 16, 1,0 m	1000	240	330 - 335	322	92,24	22016
Type 17, 1,0 m	1000	240	335 - 340	330	93,36	22017
Type 18, 1,0 m	1000	240	340 - 345	337	94,48	22018
Type 19, 1,0 m	1000	240	345 - 350	345	95,60	22019

FASERFIX®
SUPER

FASERFIX®
KS

RECYFIX®
PLUS X

RECYFIX®
INC

RECYFIX®
MONOTEC

RECYFIX®
HICAP®F

FASERFIX®
POINT KS

FASERFIX®
TRAFFIC GUGBLOC
RECYFIX®
TRAFFIC GUGBLOC

SERVICE
CHANNEL

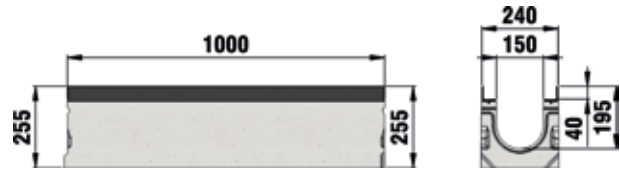
KERBFIX 305

FASERFIX®SUPER 150

Channels

FASERFIX®SUPER 150 with ductile iron angle housings, up to load class F 900

Type 01, 1,0 m



	Length mm	Width mm	Height mm	Internal channel cross-sect. cm ²	Weight kg	Item No.
Type 01, 1,0 m	1000	240	255	205	79,66	2400
Type 0105, 0,5 m	500	240	255	205	39,21	2449
Type 010, 1,0 m	1000	240	300	272	88,76	2442
Type 020, 1,0 m	1000	240	350	345	99,96	2444

Bolting required - see further accessories

Gratings

FASERFIX®SUPER 150, class D 400*



Ductile iron grating
SW 150/18 mm, black,
with plastic caps, 0,5 m



Ductile iron grating
SW 170/18 mm, black,
KTL-coated, with plastic caps,
locked, 0,5 m

	Length mm	Width mm	Height mm	Intake cross-sect. cm ² /m	Weight kg	Item No.
Ductile iron grating SW 150/18 mm, black, with plastic caps, 0,5 m	500	229	40	624	7,45	2463
Ductile iron grating SW 170/18 mm, black, KTL-coated, with plastic caps, locked, 0,5 m	500	229	40	624	7,45	2483
Ductile iron grating SW 150/18 mm, galvanised, with plastic caps, 0,5 m	500	229	40	624	7,44	2493

* Not for use across the carriageway of highways or motorways in moving traffic.

FASERFIX®SUPER 150

Gratings

FASERFIX®SUPER 150, class E 600



GUGI-Ductile iron mesh grating,
MW 15/25 mm, black,
with plastic caps, 0,5 m

	Length mm	Width mm	Height mm	Intake cross-sect. cm ² /m	Weight kg	Item No.
GUGI-Ductile iron mesh grating, MW 15/25 mm, black, with plastic caps, 0,5 m	500	229	40	628	11,50	2068

Solid ductile iron covers (closed) can be found in the range SERVICE CHANNELS

FASERFIX®SUPER 150, class F 900



Ductile iron grating
SW 20 mm, black,
with plastic caps, 0,5 m



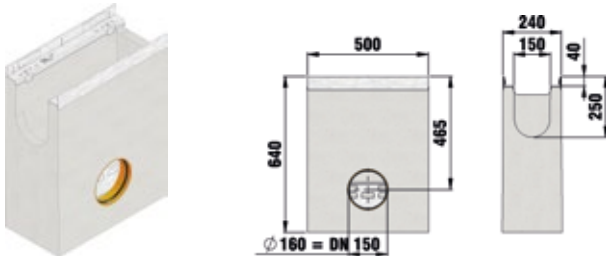
Ductile iron grating
SW 20 mm, black,
KTL-coated, with plastic caps,
locked, 0,5 m

	Length mm	Width mm	Height mm	Intake cross-sect. cm ² /m	Weight kg	Item No.
Ductile iron grating SW 20 mm, black, with plastic caps, 0,5 m	500	229	40	710	9,90	2061
Ductile iron grating SW 20 mm, black, KTL-coated, with plastic caps, locked, 0,5 m	500	229	40	710	9,90	2861

FASERFIX® SUPER 150

Accessories

Trash boxes



Trash box
with galvanised bucket

	Length mm	Width mm	Height mm	Weight kg	Item No.
NEW Trash box with galvanised bucket	500	240	640	90,32	22052
Trash box with ductile iron angle housing and galvanised mud bucket	500	240	640	87,50	2452

End caps



End cap closed,
galvanised, type 01



End cap closed,
galvanised, type 010



End cap closed,
galvanised, type 020



End cap with horizontal
PVC-U pipe outlet DN/OD 160,
galvanised, type 020

	Length mm	Width mm	Height mm	Weight kg	Item No.
End cap closed, galvanised, type 01	-	240	255	0,93	2081
End cap closed, galvanised, type 010	-	240	300	1,13	2082
End cap closed, galvanised, type 020	-	240	350	1,36	2083
End cap with horizontal PVC-U pipe outlet DN/OD 160, galvanised, type 01	-	240	255	1,05	2091
End cap with horizontal PVC-U pipe outlet DN/OD 160, galvanised, type 010	-	240	300	1,24	2092
End cap with horizontal PVC-U pipe outlet DN/OD 160, galvanised, type 020	-	240	350	1,70	2093

The quality of stainless steel material corresponds to CNS 1.4301.

FASERFIX® SUPER 150

Further accessories



Foul air trap
DN/OD 160



PVC-U pipe connection element
DN/OD 160



Mud bucket vertical
made of modified composite
for outlet DN/OD 160, black

	Length mm	Width mm	Height mm	Weight kg	Item No.
Hexagon bolt with locking serration, stainless steel, M 10 x 50	-	-	-	0,04	99938
Caps for hexagon bolts	24	24	7	-	91100
Foul air trap DN/OD 160	584	160	439	2,00	960
PVC-U pipe connection element DN/OD 160	-	-	-	0,50	906
NEW Mud bucket vertical made of modified composite for outlet DN/OD 160, black	-	-	-	0,13	845
Universal sealant/adhesive Siga-Meltell® 320 black**	-	-	-	0,97	19051
Tubular pistol for universal sealant/adhesive Siga-Meltell® 320 black**	-	-	-	1,30	6891
Installation aid NW 150 (exclusively for laying channels! For laying 2 pieces are necessary) - due to security reasons no return can be made	-	-	-	2,09	136018

** Consumption for channel type O20: approx. 94 ml per joint.

Factory-made services



Cutting to length
of NW 150



Cutting for gradient
for all nominal widths



Fixing-system EP, empty pipe
in the channel bottom,
(2 pieces per metre)

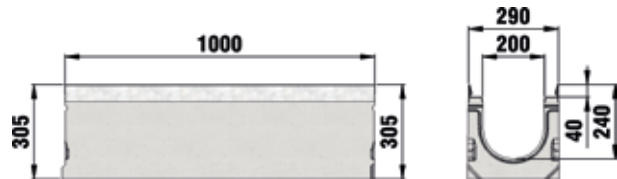
	Length mm	Width mm	Height mm	Weight kg	Item No.
Cutting to length of NW 150	-	-	-	-	991
Mitre cuts NW 150 (price per cut, two cuts necessary)	-	-	-	-	996
Cutting for gradient for all nominal widths	-	-	-	-	890
Drilling of connecting holes DN/OD 160	-	-	-	-	973
Factory-made insertion of PVC-U union connectors DN/OD 160 (incl. drilling)	-	-	-	-	983
Fixing-system EP, empty pipe in the channel bottom, (2 pieces per metre)	-	-	-	0,03	703
steel bars for fixing system EP (2 pieces per metre)	-	-	-	0,01	704

FASERFIX® SUPER 200

Channels

NEW FASERFIX® SUPER 200 with galvanised angle housings, up to load class F 900

Type 01, 1,0 m



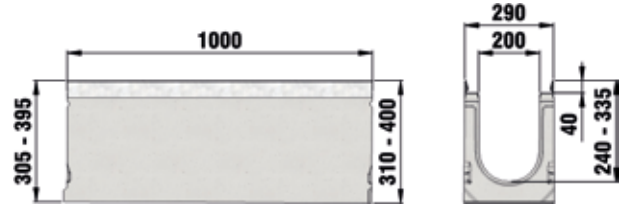
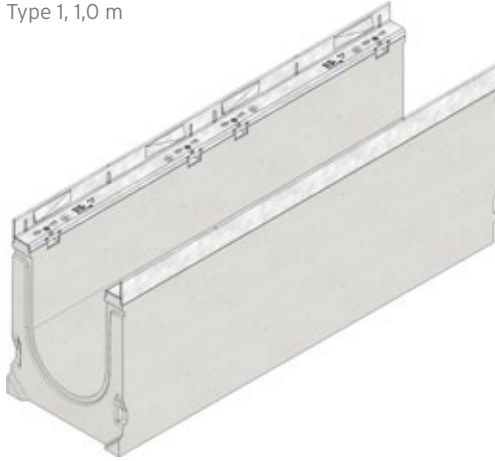
	Length mm	Width mm	Height mm	Internal channel cross-sect. cm ²	Weight kg	Item No.
Type 01, 1,0 m	1000	290	305	362	96,77	23000
Type 0105, 0,5 m	500	290	305	362	49,00	23049
Type 01L with hole, DN/OD 200, 1,0 m*	1000	290	305	362	99,00	23035
Type 010, 1,0 m	1000	290	350	447	107,09	23042
Type 010L with hole, DN/OD 200, 1,0 m*	1000	290	350	447	114,00	23036
Type 020, 1,0 m	1000	290	400	540	113,74	23044
Type 020L with hole, DN/OD 200, 1,0 m*	1000	290	400	540	125,00	23037
Type 01 E, 1,0 m	1000	290	305	386	104,50	23105
Type 010 E, 1,0 m	1000	290	350	473	113,50	23106
Type 020 E, 1,0 m	1000	290	400	568	124,50	23107

* Position of the opening to the bottom of the channel. 200 mm from the centre of the hole (DN/OD 200) to the end of the channel.

FASERFIX®SUPER 200

NEW FASERFIX®SUPER 200 with built-in fall 0.5 %, up to load class F 900

Type 1, 1,0 m



	Length mm	Width mm	Height mm	Internal channel cross-sect. cm ²	Weight kg	Item No.
Type 1, 1,0 m	1000	290	305 - 310	362	105,00	23001
Type 2, 1,0 m	1000	290	310 - 315	372	106,00	23002
Type 3, 1,0 m	1000	290	315 - 320	382	107,00	23003
Type 4, 1,0 m	1000	290	320 - 325	392	108,00	23004
Type 5, 1,0 m	1000	290	325 - 330	402	109,00	23005
Type 6, 1,0 m	1000	290	330 - 335	412	110,00	23006
Type 7, 1,0 m	1000	290	335 - 340	422	111,00	23007
Type 8, 1,0 m	1000	290	340 - 345	432	112,00	23008
Type 9, 1,0 m	1000	290	345 - 350	442	113,00	23009
Type 10, 1,0 m	1000	290	350 - 355	452	114,00	23010
Type 11, 1,0 m	1000	290	355 - 360	462	116,00	23011
Type 12, 1,0 m	1000	290	360 - 365	472	117,00	23012
Type 13, 1,0 m	1000	290	365 - 370	482	118,00	23013
Type 14, 1,0 m	1000	290	370 - 375	492	119,00	23014
Type 15, 1,0 m	1000	290	375 - 380	502	120,00	23015
Type 16, 1,0 m	1000	290	380 - 385	512	121,00	23016
Type 17, 1,0 m	1000	290	385 - 390	522	122,00	23017
Type 18, 1,0 m	1000	290	390 - 395	532	123,00	23018
Type 19, 1,0 m	1000	290	395 - 400	542	124,00	23019

FASERFIX®
SUPER

FASERFIX®
KS

RECYFIX®
PLUS X

RECYFIX®
INC

RECYFIX®
MONOTEC

RECYFIX®
HICAP®F

FASERFIX®
POINT KS

FASERFIX®
TRAFFIC GUGBLOC
RECYFIX®
TRAFFIC GUGBLOC

SERVICE
CHANNEL

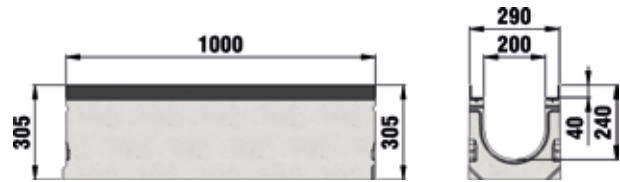
KERBFIX 305

FASERFIX®SUPER 200

Channels

FASERFIX®SUPER 200 with ductile iron angle housings, up to load class F 900

Type 01, 1,0 m



	Length mm	Width mm	Height mm	Internal channel cross-sect. cm ²	Weight kg	Item No.
Type 01, 1,0 m	1000	290	305	362	96,72	3400
Type 0105, 0,5 m	500	290	305	362	50,21	3449
Type 010, 1,0 m	1000	290	350	447	106,54	3442
Type 020, 1,0 m	1000	290	400	540	126,42	3444

Bolting required - see further accessories

Gratings

FASERFIX®SUPER 200, class D 400*



Ductile iron grating,
SW 170/18 mm, black,
with plastic caps, 0,5 m



Ductile iron grating,
SW 170/18 mm, black,
KTL-coated, with plastic caps,
locked, 0,5 m

	Length mm	Width mm	Height mm	Intake cross-sect. cm ² /m	Weight kg	Item No.
Ductile iron grating, SW 170/18 mm, black, with plastic caps, 0,5 m	500	279	40	732	9,26	3463
Ductile iron grating, SW 170/18 mm, black, KTL-coated, with plastic caps, locked, 0,5 m	500	279	40	732	9,26	3483
Ductile iron grating SW 170/18 mm, galvanised, with plastic caps, 0,5 m	500	279	40	732	9,30	3493

* Not for use across the carriageway of highways or motorways in moving traffic.

FASERFIX®SUPER 200

Gratings

FASERFIX®SUPER 200, class E 600



GUGI-Ductile iron mesh grating
MW 15/25 mm, black,
with plastic caps, 0,5 m

	Length mm	Width mm	Height mm	Intake cross-sect. cm ² /m	Weight kg	Item No.
GUGI-Ductile iron mesh grating MW 15/25 mm, black, with plastic caps, 0,5 m	500	279	40	818	12,65	3068
GUGI-Ductile iron mesh grating, MW 15/25 mm, black, locked, KTL-coated, with plastic caps, 0,5 m	500	279	40	818	12,60	3868

Solid ductile iron covers (closed) can be found in the range SERVICE CHANNELS

FASERFIX®SUPER 200, class F 900



Ductile iron grating,
SW 20 mm, black,
with plastic caps, 0,5 m



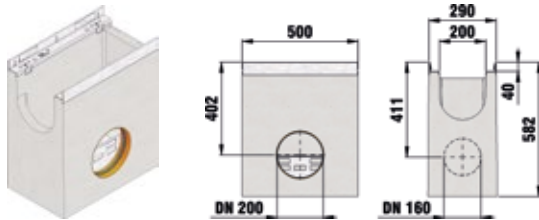
Ductile iron grating,
SW 20 mm, black, KTL-coated,
with plastic caps, locked, 0,5 m

	Length mm	Width mm	Height mm	Intake cross-sect. cm ² /m	Weight kg	Item No.
Ductile iron grating, SW 20 mm, black, with plastic caps, 0,5 m	500	279	40	833	13,60	3061
Ductile iron grating, SW 20 mm, black, KTL-coated, with plastic caps, locked, 0,5 m	500	279	40	833	13,70	3861

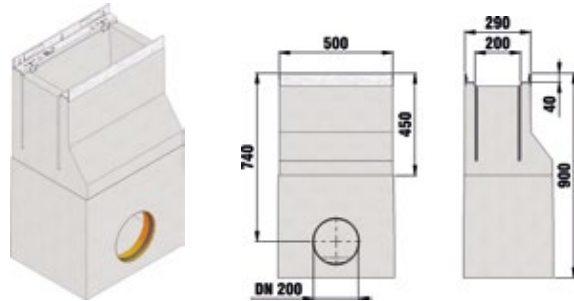
FASERFIX® SUPER 200

Accessories

Trash boxes



Trash box with galvanised bucket



Trash box, 2-pieces with galvanised bucket

	Length mm	Width mm	Height mm	Weight kg	Item No.
NEW Trash box with galvanised bucket	500	290	582	92,00	23052
NEW Trash box, 2-pieces with galvanised bucket	500	290	900	190,50	23054
Trash box with ductile iron angle housing and galvanised mud bucket	500	290	582	88,51	3452
Trash box, 2-pieces with ductile iron angle housing and galvanised mud bucket	500	290	900	196,46	3454

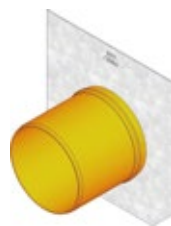
End caps



End cap closed, galvanised, type 010



End cap closed, galvanised, type 020



End cap with horizontal PVC-U pipe outlet DN/OD 160, galvanised, type 01



End cap with horizontal PVC-U pipe outlet DN/OD 160, galvanised, type 020

	Length mm	Width mm	Height mm	Weight kg	Item No.
End cap closed, galvanised, type 01	-	290	305	1,35	3081
End cap closed, galvanised, type 010	-	290	350	1,58	3082
End cap closed, galvanised, type 020	-	290	400	1,79	3083
End cap with horizontal PVC-U pipe outlet DN/OD 160, galvanised, type 01	-	290	305	1,47	3091
End cap with horizontal PVC-U pipe outlet DN/OD 160, galvanised, type 020	-	290	400	1,84	3093

FASERFIX® SUPER 200

Further accessories



PVC-Connection
DN/OD 200

	Length mm	Width mm	Height mm	Weight kg	Item No.
Hexagon bolt with locking serration, stainless steel, M 10 x 50	-	-	-	0,04	99938
Caps for hexagon bolts	24	24	7	-	91100
PVC-Connection DN/OD 200	-	-	-	0,80	907
Universal sealant/adhesive Siga-Meltell® 320 black**	-	-	-	0,97	19051
Tubular pistol for universal sealant/adhesive Siga-Meltell® 320 black**	-	-	-	1,30	6891
Installation aid NW 200 (exclusively for laying channels! For laying 2 pieces are necessary) - due to security reasons no return can be made	-	-	-	2,62	136202

**** Consumption for channel type O20: approx. 105 ml per joint.**

Factory-made services



Cutting to length
of NW 200



Cutting for gradient
for all nominal widths



Drilling of connecting holes
DN/OD 200



Factory-made insertion
of PVC-U union connectors
DN/OD 200

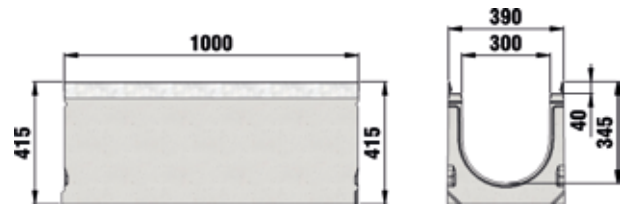
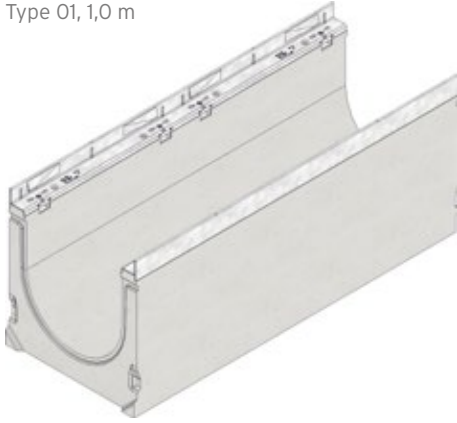
	Length mm	Width mm	Height mm	Weight kg	Item No.
Cutting to length of NW 200	-	-	-	-	992
Mitre cuts NW 200 (price per cut, two cuts necessary)	-	-	-	-	997
Cutting for gradient for all nominal widths	-	-	-	-	890
Drilling of connecting holes DN/OD 200	-	-	-	-	974
Factory-made insertion of PVC-U union connectors DN/OD 200	-	-	-	-	984
Fixing-system EP, empty pipe in the channel bottom, (2 pieces per metre)	-	-	-	0,03	703
steel bars for fixing system EP (2 pieces per metre)	-	-	-	0,01	704

FASERFIX® SUPER 300

Channels

NEW FASERFIX® SUPER 300 with galvanised angle housings, up to load class F 900

Type 01, 1,0 m



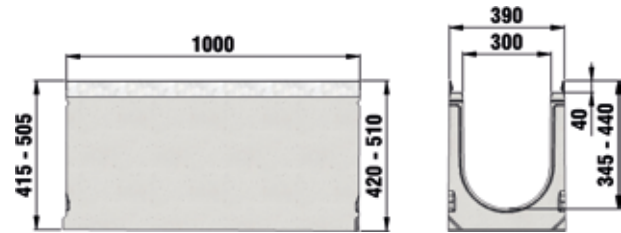
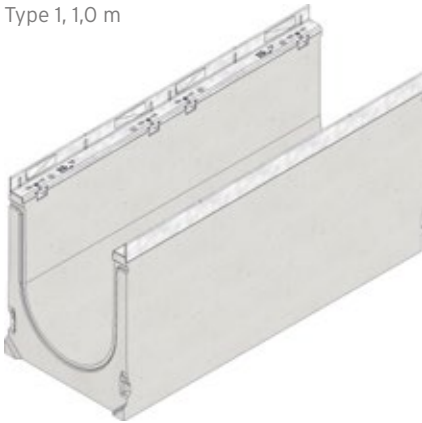
	Length mm	Width mm	Height mm	Internal channel cross-sect. cm ²	Weight kg	Item No.
Type 01, 1,0 m	1000	390	415	803	153,08	24000
Type 0105, 0,5 m	500	390	415	803	75,00	24001
Type 01L with outlet, DN/OD 200, 1,0 m*	1000	390	415	803	149,30	24045
Type 010, 1,0 m	1000	390	460	938	160,29	24242
Type 020, 1,0 m	1000	390	510	1088	173,11	24244
Type 01 H, 1,0 m	1000	390	630	1202	250,98	24044
Type 01 E, 1,0 m	1000	390	415	900	133,65	24105

* Position of the opening to the bottom of the channel. 200 mm from the centre of the hole (DN/OD 200) to the end of the channel.

FASERFIX®SUPER 300

NEW FASERFIX®SUPER 300 with galvanised angle housings, with built-in fall 0.5 %, up to loading class F 900

Type 1, 1,0 m



	Length mm	Width mm	Height mm	Internal channel cross-sect. cm ²	Weight kg	Item No.
Type 1, 1,0 m	1000	390	415 - 420	811	151,00	24201
Type 2, 1,0 m	1000	390	420 - 425	826	152,00	24202
Type 3, 1,0 m	1000	390	425 - 430	841	153,00	24203
Type 4, 1,0 m	1000	390	430 - 435	856	154,00	24204
Type 5, 1,0 m	1000	390	435 - 440	871	155,00	24205
Type 6, 1,0 m	1000	390	440 - 445	886	156,00	24206
Type 7, 1,0 m	1000	390	445 - 450	901	157,00	24207
Type 8, 1,0 m	1000	390	450 - 455	916	158,00	24208
Type 9, 1,0 m	1000	390	455 - 460	931	159,00	24209
Type 10, 1,0 m	1000	390	460 - 465	946	160,00	24210
Type 11, 1,0 m	1000	390	465 - 470	961	161,00	24211
Type 12, 1,0 m	1000	390	470 - 475	976	162,00	24212
Type 13, 1,0 m	1000	390	475 - 480	991	163,00	24213
Type 14, 1,0 m	1000	390	480 - 485	1006	164,00	24214
Type 15, 1,0 m	1000	390	485 - 490	1021	165,00	24215
Type 16, 1,0 m	1000	390	490 - 495	1036	166,00	24216
Type 17, 1,0 m	1000	390	495 - 500	1051	167,00	24217
Type 18, 1,0 m	1000	390	500 - 505	1066	168,00	24218
Type 19, 1,0 m	1000	390	505 - 510	1081	169,00	24219

FASERFIX®
SUPER

FASERFIX®
KS

RECYFIX®
PLUS X

RECYFIX®
INC

RECYFIX®
MONOTEC

RECYFIX®
HICAP®F

FASERFIX®
POINT KS

FASERFIX®
TRAFFIC GUGBLOC
RECYFIX®
TRAFFIC GUGBLOC

SERVICE
CHANNEL

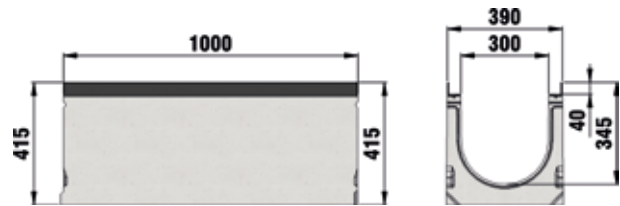
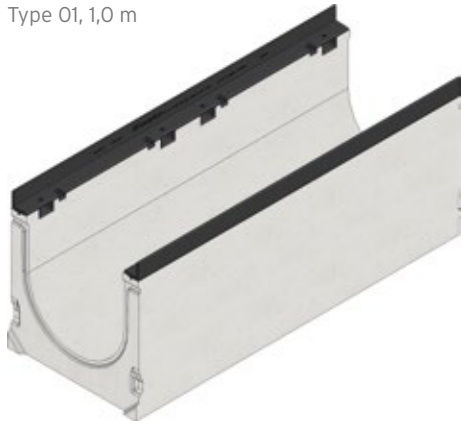
KERBFIX 305

FASERFIX®SUPER 300

Channels

FASERFIX®SUPER 300 with ductile iron angle housings, up to load class F 900

Type 01, 1,0 m



	Length mm	Width mm	Height mm	Internal channel cross-sect. cm ²	Weight kg	Item No.
Type 01, 1,0 m	1000	390	415	803	154,40	4600
Type 0105, 0,5 m	500	390	415	803	79,57	4649
Type 01H, 1,0 m	1000	390	630	1202	262,14	4644

Bolting required - see further accessories

FASERFIX®SUPER 300

Gratings

FASERFIX®SUPER 300, class C 250



Mesh grating MW 30/15 mm, galvanised, 1,0 m

	Length mm	Width mm	Height mm	Intake cross-sect. cm ² /m	Weight kg	Item No.
Mesh grating MW 30/15 mm, galvanised, 1,0 m	1000	375	40	2127	26,08	4075
Mesh grating MW 30/15 mm, galvanised, 0,5 m	500	375	40	2127	13,31	4076

FASERFIX®SUPER 300, class D 400*



Ductile iron grating, SW 2 x 136/18 mm, black, with plastic caps, 0,5 m

	Length mm	Width mm	Height mm	Intake cross-sect. cm ² /m	Weight kg	Item No.
Ductile iron grating, SW 2 x 136/18 mm, black, with plastic caps, 0,5 m	500	377	40	1150	16,90	4563
Ductile iron grating, SW 2 x 136/18 mm, black, locked, KTL-coated, with plastic caps, 0,5 m	500	377	40	1150	16,90	4543

* Not for use across the carriageway of highways or motorways in moving traffic.

FASERFIX®
SUPER

FASERFIX®
KS

RECYFIX®
PLUS X

RECYFIX®
INC

RECYFIX®
MONOTEC

RECYFIX®
HICAP®F

FASERFIX®
POINT KS

FASERFIX®
TRAFFIC GUGBLOC
RECYFIX®
TRAFFIC GUGBLOC

SERVICE
CHANNEL

KERBFIX 305

FASERFIX®SUPER 300

Gratings

FASERFIX®SUPER 300, class E 600



GUGI-Ductile iron mesh grating,
MW 15/25 mm, black,
with plastic caps, 0,5 m

	Length mm	Width mm	Height mm	Intake cross-sect. cm ² /m	Weight kg	Item No.
GUGI-Ductile iron mesh grating, MW 15/25 mm, black, with plastic caps, 0,5 m	500	377	40	1172	21,80	4068
GUGI-Ductile iron mesh grating, MW 15/25 mm, black, locked, KTL-coated, with plastic caps, 0,5 m	500	377	40	1172	22,50	4868

Solid ductile iron covers (closed) can be found in the range SERVICE CHANNELS

FASERFIX®SUPER 300, class F 900



Ductile iron grating,
SW 2 x 136/20 mm, black,
with plastic caps, 0,5 m

	Length mm	Width mm	Height mm	Intake cross-sect. cm ² /m	Weight kg	Item No.
Ductile iron grating, SW 2 x 136/20 mm, black, with plastic caps, 0,5 m	500	377	40	1334	23,20	4061
Ductile iron grating, SW 2 x 136/20 mm, black, locked, KTL-coated, with plastic caps, 0,5 m	500	377	40	1334	23,20	4861

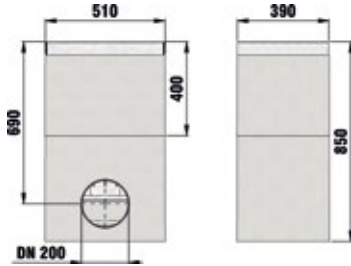
FASERFIX® SUPER 300

Accessories

Trash boxes



Trash box,
two parts, without grating



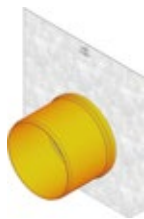
Extension part

	Length mm	Width mm	Height mm	Weight kg	Item No.
NEW Trash box, two parts, without grating	510	390	850	183,50	24050
NEW Trash box, two parts, without grating, with drilling in upper body for connection of channel	510	390	850	173,89	24051
Trash box, 2-pieces with ductile iron angle housing and galvanised mud bucket	510	390	850	216,50	4652
Extension part	510	390	400	81,66	4054
NEW Trash box 2-parts with PE-HD pipe, ductile iron angle housing and gate valve	510	390	850	217,00	24660

End caps



End cap closed,
galvanised, type 01



End cap with horizontal
PVC-U pipe outlet DN/OD 200,
galvanised, type 01

	Length mm	Width mm	Height mm	Weight kg	Item No.
End cap closed, galvanised, type 01	-	390	415	2,49	4081
End cap closed, galvanised, type 010	-	390	460	2,73	32973
End cap closed, galvanised, type 020	-	390	510	3,05	32974
End cap closed, galvanised, type 01H	-	390	630	3,75	4083
End cap with horizontal PVC-U pipe outlet DN/OD 200, galvanised, type 01	-	390	415	2,80	4085
End cap with horizontal PVC-U pipe outlet DN/OD 200, galvanised, type 010	-	390	460	3,27	32977
End cap with horizontal PVC-U pipe outlet DN/OD 200, galvanised, type 020	-	390	510	3,57	32978
End cap with horizontal PVC-U pipe outlet DN/OD 200, galvanised, type 01H	-	390	630	4,50	4088

FASERFIX® SUPER 300

Accessories

Further accessories



PVC-Connection
DN/OD 200

	Length mm	Width mm	Height mm	Weight kg	Item No.
Hexagon bolt with locking serration, stainless steel, M 10 x 50	-	-	-	0,04	99938
Caps for hexagon bolts	24	24	7	-	91100
PVC-Connection DN/OD 200	-	-	-	0,80	907
Universal sealant/adhesive Siga-Meltell® 320 black**	-	-	-	0,97	19051
Tubular pistol for universal sealant/adhesive Siga-Meltell® 320 black**	-	-	-	1,30	6891
Installation aid NW 300 (exclusively for laying channels! For laying 2 pieces are necessary) - due to security reasons no return can be made	-	-	-	3,66	136242

**** Consumption for channel type 01H: approx. 169 ml per joint.**

FASERFIX® SUPER 300

Factory-made services



Cutting to length of NW 300



Mitre cuts NW 300 (price per cut, two cuts necessary)



Cutting for gradient for all nominal widths



Drilling of connecting holes DN/OD 200



Factory-made insertion of PVC-U union connectors DN/OD 200



Fixing-system EP, empty pipe in the channel bottom, (2 pieces per metre)

	Length mm	Width mm	Height mm	Weight kg	Item No.
Cutting to length of NW 300	-	-	-	-	993
Mitre cuts NW 300 (price per cut, two cuts necessary)	-	-	-	-	998
Cutting for gradient for all nominal widths	-	-	-	-	890
Drilling of connecting holes DN/OD 200	-	-	-	-	974
Factory-made insertion of PVC-U union connectors DN/OD 200	-	-	-	-	984
Drilling of connection holes DN/OD 315	-	-	-	-	978
Factory-made insertion of PVC-U union connectors DN/OD 315 (incl. drilling)	-	-	-	-	979
Fixing-system EP, empty pipe in the channel bottom, (2 pieces per metre)	-	-	-	0,03	703
steel bars for fixing system EP (2 pieces per metre)	-	-	-	0,01	704

FASERFIX®
SUPER

FASERFIX®
KS

RECYFIX®
PLUS X

RECYFIX®
INC

RECYFIX®
MONOTEC

RECYFIX®
HICAP®F

FASERFIX®
POINT KS

FASERFIX®
TRAFFIC GUGBLOC
RECYFIX®
TRAFFIC GUGBLOC

SERVICE
CHANNEL

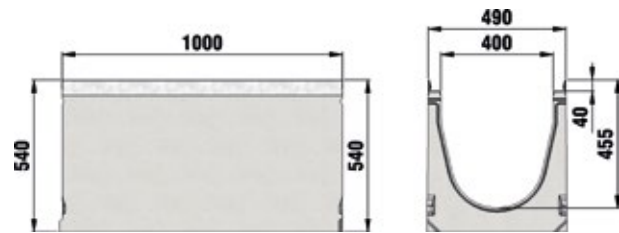
KERBFIX 305

FASERFIX®SUPER 400

Channels

NEW FASERFIX®SUPER 400 with galvanised angle housings, up to load class F 900

Type 01, 1,0 m



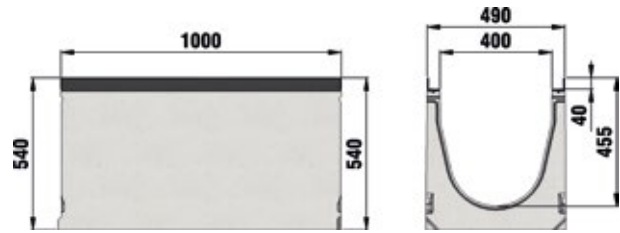
	Length mm	Width mm	Height mm	Internal channel cross-sect. cm ²	Weight kg	Item No.
Type 01, 1,0 m	1000	490	540	1383	252,00	24111
Type 01L with outlet, DN/OD 200, 1,0 m*	1000	490	540	1383	241,52	24112
Type 01H, 1,0 m	1000	490	630	1758	258,35	24116
Type 01E, 1,0 m	1000	490	540	1498	223,00	24011

* Position of the opening to the bottom of the channel. 200 mm from the centre of the hole (DN/OD 200) to the end of the channel.

FASERFIX®SUPER 400

FASERFIX®SUPER 400 with ductile iron angle housings, up to load class F 900

Type 01, 1,0 m



	Length mm	Width mm	Height mm	Internal channel cross-sect. cm ²	Weight kg	Item No.
Type 01, 1,0 m	1000	490	540	1383	256,00	9200
Type 01H, 1,0 m	1000	490	630	1758	267,14	9244

Bolting required - see further accessories

FASERFIX®
SUPER

FASERFIX®
KS

RECYFIX®
PLUS X

RECYFIX®
INC

RECYFIX®
MONOTEC

RECYFIX®
HICAP®F

FASERFIX®
POINT KS

FASERFIX®
TRAFFIC GUGIBLOC
RECYFIX®
TRAFFIC GUGIBLOC

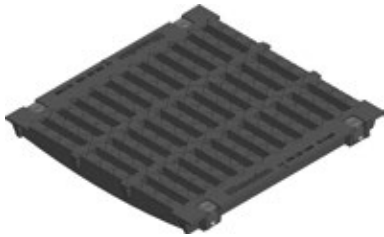
SERVICE
CHANNEL

KERBFIX 305

FASERFIX®SUPER 400

Gratings

FASERFIX®SUPER 400, class D 400*

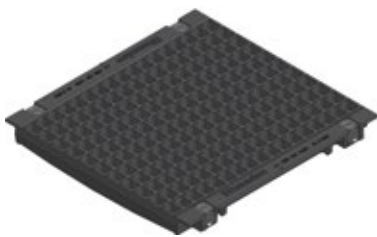


Ductile iron grating, SW 18 mm, black, with plastic caps, 0,5 m

	Length mm	Width mm	Height mm	Intake cross-sect. cm ² /m	Weight kg	Item No.
Ductile iron grating, SW 18 mm, black, with plastic caps, 0,5 m	500	477	40	1420	25,40	4663

* Not for use across the carriageway of highways or motorways in moving traffic.

FASERFIX®SUPER 400, class E 600



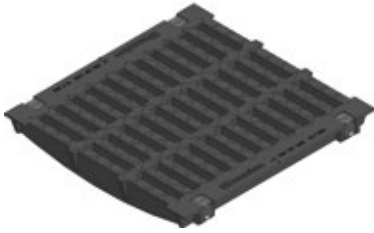
GUGI-Ductile iron mesh grating MW 15/25 mm, black, with plastic caps

	Length mm	Width mm	Height mm	Intake cross-sect. cm ² /m	Weight kg	Item No.
GUGI-Ductile iron mesh grating MW 15/25 mm, black, with plastic caps	500	477	40	1634	30,00	4168

Solid ductile iron covers (closed) can be found in the range SERVICE CHANNELS

FASERFIX®SUPER 400

FASERFIX®SUPER 400, class F 900



Ductile iron grating SW 20 mm, black, with plastic caps, 0,5 m

	Length mm	Width mm	Height mm	Intake cross-sect. cm ² /m	Weight kg	Item No.
Ductile iron grating SW 20 mm, black, with plastic caps, 0,5 m	500	477	40	1618	38,70	4161

FASERFIX®
SUPER

FASERFIX®
KS

RECYFIX®
PLUS X

RECYFIX®
INC

RECYFIX®
MONOTEC

RECYFIX®
HICAP®F

FASERFIX®
POINT KS

FASERFIX®
TRAFFIC GUGIBLOC
RECYFIX®
TRAFFIC GUGIBLOC

SERVICE
CHANNEL

KERBFIX 305

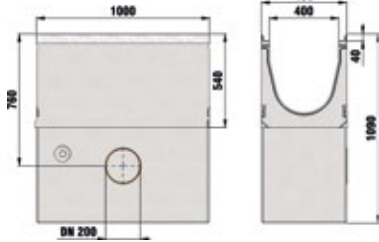
FASERFIX® SUPER 400

Accessories

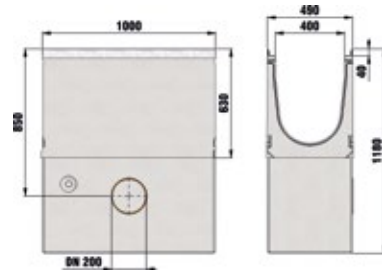
NEW Trash boxes



Trash box element with galvanised mud bucket for type 01*



Trash box element with galvanised mud bucket for type 01 H



	Length mm	Width mm	Height mm	Weight kg	Item No.
Trash box element with galvanised mud bucket for type 01*	1000	490	1090	847,00	24120
Trash box element with galvanised mud bucket for type 01 H	1000	490	1180	852,00	24125
Trash box 2-parts with KTL-coated ductile iron angle housing and galvanised bucket, Type 01	1000	490	1090	849,10	33265
Trash box 2-parts with KTL-coated ductile iron angle housing and galvanised bucket, Type 01 H	1000	490	1180	860,24	33266

* For positioning at the end of channel run, a closed end cap is required.

End caps



End cap closed, galvanised, type 01



End cap with horizontal PVC-U pipe outlet DN/OD 200, galvanised, type 01

	Length mm	Width mm	Height mm	Weight kg	Item No.
End cap closed, galvanised, type 01	-	490	540	4,09	4091
End cap closed, galvanised, type 01H	-	490	630	4,84	4092
End cap with horizontal PVC-U pipe outlet DN/OD 200, galvanised, type 01	-	490	540	5,18	4093
End cap with horizontal PVC-U pipe outlet DN/OD 200, galvanised, type 01H	-	490	630	5,20	4097
End cap with horizontal PVC-U pipe outlet DN/OD 315, galvanised, type 01	-	490	540	5,23	42497

FASERFIX® SUPER 400

Further accessories



PVC-Connection
DN/OD 200



Installation aid NW 400 (exclusively
for laying channels! For laying 2 pieces
are necessary) - due to security reasons
no return can be made

	Length mm	Width mm	Height mm	Weight kg	Item No.
Hexagon bolt with locking serration, stainless steel, M 10 x 50	-	-	-	0,04	99938
Caps for hexagon bolts	24	24	7	-	91100
Philipp Spherical Head Lifting Clutch, 80-HKD-025, for laying trash boxes, galvanised, 4 pieces per construction site required - due to security reasons no return can be made	-	-	-	1,52	708
PVC-Connection DN/OD 200	-	-	-	0,80	907
Universal sealant/adhesive Siga-Meltell® 320 black**	-	-	-	0,97	19051
Tubular pistol for universal sealant/adhesive Siga-Meltell® 320 black**	-	-	-	1,30	6891
Installation aid NW 400 (exclusively for laying channels! For laying 2 pieces are necessary) - due to security reasons no return can be made	-	-	-	5,23	136304

**** Consumption for channel type 01H: approx. 172 ml per joint.**

Factory-made services



Cutting to length
of NW 500



Cutting for gradient
for all nominal widths



Drilling of connecting holes
DN/OD 200



Factory-made insertion
of PVC-U union connectors
DN/OD 200

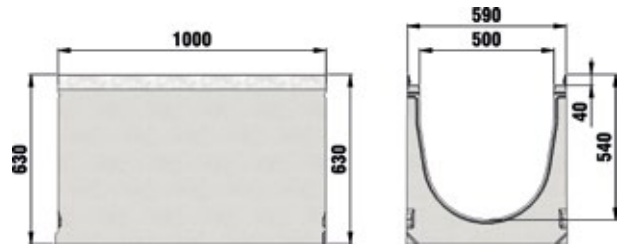
	Length mm	Width mm	Height mm	Weight kg	Item No.
Cutting to length of NW 400	-	-	-	-	985
Mitre cuts NW 400 (price per cut, two cuts necessary)	-	-	-	0,01	949
Cutting for gradient for all nominal widths	-	-	-	-	890
Drilling of connecting holes DN/OD 200	-	-	-	-	974
Factory-made insertion of PVC-U union connectors DN/OD 200	-	-	-	-	984
Drilling of connection holes DN/OD 315	-	-	-	-	978
Factory-made insertion of PVC-U union connectors DN/OD 315 (incl. drilling)	-	-	-	-	979
Fixing-system EP, empty pipe in the channel bottom, (2 pieces per metre)	-	-	-	0,03	703
steel bars for fixing system EP (2 pieces per metre)	-	-	-	0,01	704

FASERFIX® SUPER 500

Channels

NEW FASERFIX® SUPER 500 with galvanised angle housings, up to load class F 900

Type 01, 1,0 m



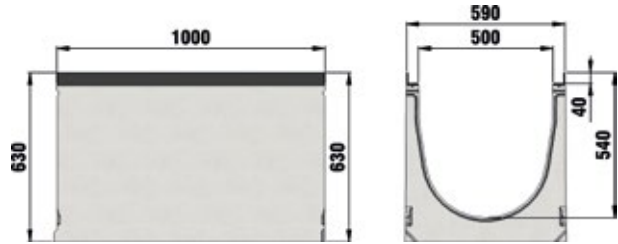
	Length mm	Width mm	Height mm	Internal channel cross-sect. cm ²	Weight kg	Item No.
Type 01, 1,0 m	1000	590	630	2141	302,55	24121
Type 01L with outlet, DN/OD 200, 1,0 m*	1000	590	630	2141	303,70	24122

* Position of the opening to the bottom of the channel. 200 mm from the centre of the hole (DN/OD 200) to the end of the channel.

FASERFIX®SUPER 500

FASERFIX®SUPER 500 with ductile iron angle housings, up to load class F 900

Type 01, 1,0 m



	Length mm	Width mm	Height mm	Internal channel cross-sect. cm ²	Weight kg	Item No.
Type 01, 1,0 m	1000	590	630	2141	308,80	9300

Bolting required - see further accessories

FASERFIX®
SUPER

FASERFIX®
KS

RECYFIX®
PLUS X

RECYFIX®
INC

RECYFIX®
MONOTEC

RECYFIX®
HICAP®F

FASERFIX®
POINT KS

FASERFIX®
TRAFFIC GUGIBLOC
RECYFIX®
TRAFFIC GUGIBLOC

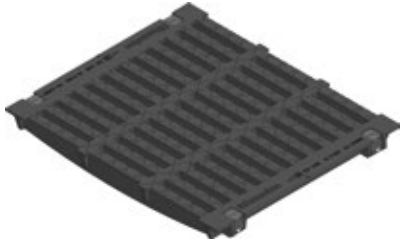
SERVICE
CHANNEL

KERBFIX 305

FASERFIX®SUPER 500

Gratings

FASERFIX®SUPER 500, class D 400*

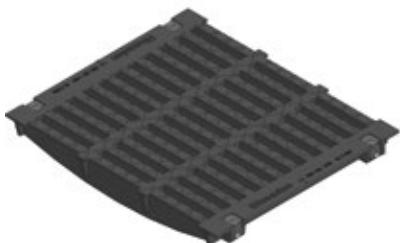


Ductile iron grating, SW 18 mm, black, with plastic caps, 0,5 m

	Length mm	Width mm	Height mm	Intake cross-sect. cm ² /m	Weight kg	Item No.
Ductile iron grating, SW 18 mm, black, with plastic caps, 0,5 m	500	577	40	1808	32,50	4683

* Not for use across the carriageway of highways or motorways in moving traffic.

FASERFIX®SUPER 500, class E 600



Ductile iron grating SW 20 mm, black, with plastic caps, 0,5 m

	Length mm	Width mm	Height mm	Intake cross-sect. cm ² /m	Weight kg	Item No.
Ductile iron grating SW 20 mm, black, with plastic caps, 0,5 m	500	577	40	2061	45,00	4182

Solid ductile iron covers (closed) can be found in the range SERVICE CHANNELS

FASERFIX®SUPER 500

FASERFIX®SUPER 500, class F 900



Ductile iron grating SW 20 mm, black, with plastic caps, 0,5 m

	Length mm	Width mm	Height mm	Intake cross-sect. cm ² /m	Weight kg	Item No.
Ductile iron grating SW 20 mm, black, with plastic caps, 0,5 m	500	577	40	2061	46,50	4181
Ductile iron grating SW 3 x 140/20 mm, black, KTL-coated, with plastic caps, locked, 0,5 m	500	577	40	2061	41,66	5381

FASERFIX®
SUPER

FASERFIX®
KS

RECYFIX®
PLUS X

RECYFIX®
INC

RECYFIX®
MONOTEC

RECYFIX®
HICAP®F

FASERFIX®
POINT KS

FASERFIX®
TRAFFIC GUGIBLOC
RECYFIX®
TRAFFIC GUGIBLOC

SERVICE
CHANNEL

KERBFIX 305

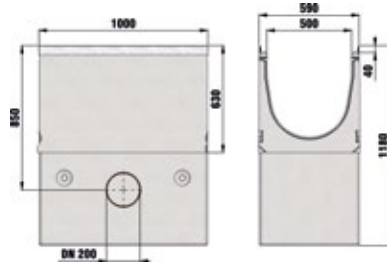
FASERFIX® SUPER 500

Accessories

NEW Trash boxes



Trash box element
with galvanised mud bucket
for type 01*



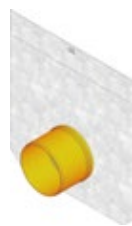
	Length mm	Width mm	Height mm	Weight kg	Item No.
Trash box element with galvanised mud bucket for type 01*	1000	590	1180	1031,00	24130
Trash box 2-parts with KTL-coated ductile iron angle housing and galvanised bucket	1000	590	1180	1031,90	33267

* For positioning at the end of channel run, a closed end cap is required.

End caps



End cap closed,
galvanised, type 01



End cap with horizontal
PVC-U pipe outlet DN/OD 200,
galvanised, type 01

	Length mm	Width mm	Height mm	Weight kg	Item No.
End cap closed, galvanised, type 01	-	590	630	5,78	4096
End cap with horizontal PVC-U pipe outlet DN/OD 200, galvanised, type 01	-	590	630	8,00	4095

FASERFIX® SUPER 500

Further accessories



PVC-Connection
DN/OD 200



Installation aid NW 500 (exclusively ,
for laying channels! For laying 2 pieces
are necessary) - due to security reasons
no return can be made

	Length mm	Width mm	Height mm	Weight kg	Item No.
Hexagon bolt with locking serration, stainless steel, M 10 x 50	-	-	-	0,04	99938
Caps for hexagon bolts	24	24	7	-	91100
Philipp Spherical Head Lifting Clutch, 80-HKD-025, for laying trash boxes, galvanised, 4 pieces per construction site required - due to security reasons no return can be made	-	-	-	1,52	708
PVC-Connection DN/OD 200	-	-	-	0,80	907
Universal sealant/adhesive Siga-Meltell® 320 black**	-	-	-	0,97	19051
Tubular pistol for universal sealant/adhesive Siga-Meltell® 320 black**	-	-	-	1,30	6891
Installation aid NW 500 (exclusively for laying channels! For laying 2 pieces are necessary) - due to security reasons no return can be made	-	-	-	6,51	136366

**** Consumption for channel type 01: approx. 184 ml per joint.**

Factory-made services



Cutting to length
of NW 500



Cutting for gradient
for all nominal widths



Drilling of connecting holes
DN/OD 200



Factory-made insertion
of PVC-U union connectors
DN/OD 200

	Length mm	Width mm	Height mm	Weight kg	Item No.
Cutting to length of NW 500	-	-	-	-	989
Mitre cuts NW 500 (price per cut, two cuts necessary)	-	-	-	0,01	959
Cutting for gradient for all nominal widths	-	-	-	-	890
Drilling of connecting holes DN/OD 200	-	-	-	-	974
Factory-made insertion of PVC-U union connectors DN/OD 200	-	-	-	-	984
Drilling of connection holes DN/OD 315	-	-	-	-	978
Factory-made insertion of PVC-U union connectors DN/OD 315 (incl. drilling)	-	-	-	-	979
Fixing-system EP, empty pipe in the channel bottom, (2 pieces per metre)	-	-	-	0,03	703
steel bars for fixing system EP (2 pieces per metre)	-	-	-	0,01	704

FASERFIX KS

Stable and efficient drainage channels for commercial and public areas.



The image shows the exterior of the Museum of the History of Polish Jews in Warsaw, Poland, at night. The building's facade is composed of dark, perforated panels that are illuminated from within, creating a glowing effect. A prominent feature is a large, curved, light-colored panel that curves around the building's corner. The ground in the foreground is paved with cobblestones, and a metal drainage grate is visible. The sky is a deep blue, and other buildings are visible in the background.

**Museum of the History
of Polish Jews, Warsaw,
Poland**

FASERFIX KS

Stable and efficient drainage channels for commercial and public areas.

1 Requirements

Drainage channels for commercial and public areas must

- withstand daily traffic by cars and trucks.
- be visually appealing.
- guarantee a simple and safe installation in all surfaces.
- correspond to DIN EN 1433.

2

Application areas

- public and commercial areas
- squares and parks
- railway stations
- parking lots

3 Solutions

Therefore FASERFIX KS channels offer solutions for any type of application in public and commercial areas:

- stable channels made from fibre-reinforced concrete (Basalt fibres)
- high stability, reduced weight
- boltless locking system SIDE-LOCK with additional possibility to lock with locking handle
- corrosion-resistant galvanised or stainless steel angle housing



Public area, Poland



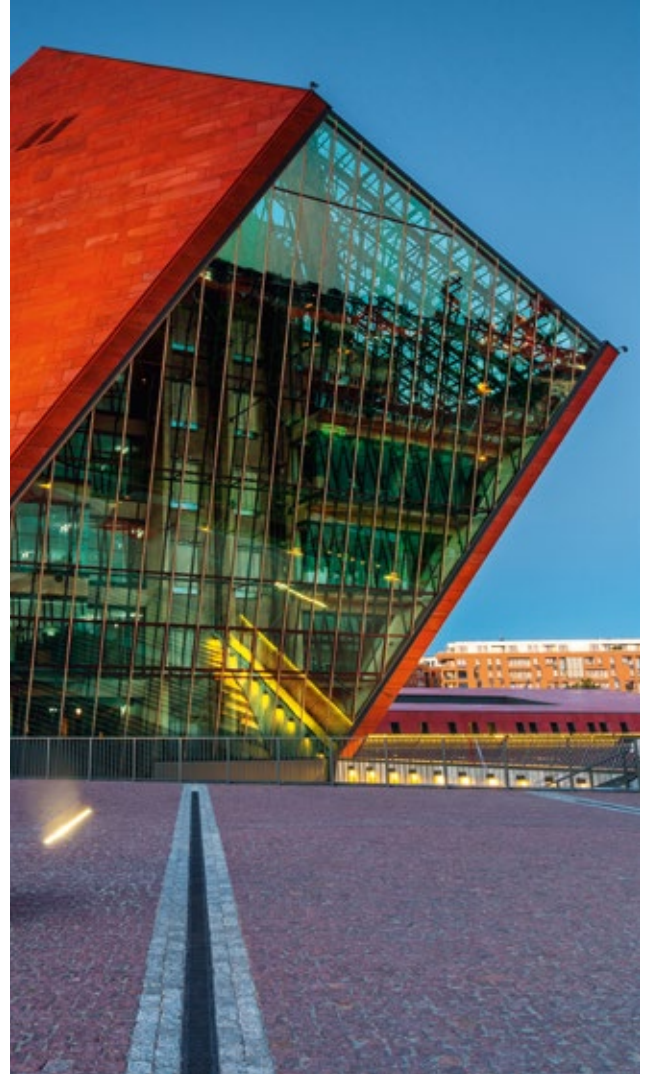
Public area, Poland



Company parking lots, Great Britain



Railway station in Sopot, Poland



Museum in Gdansk, Poland



Johann Wolfgang Goethe University hospital, Frankfurt, Germany

FASERFIX® SUPER
FASERFIX® KS
RECYFIX® PLUS X
RECYFIX® INC
RECYFIX® MONOTEC
RECYFIX® HICAP®F
FASERFIX® POINT KS
FASERFIX® TRAFFIC GUGBLOC RECYFIX® TRAFFIC GUGBLOC
SERVICE CHANNEL
KERBFIX 305

FASERFIX KS

Stable and efficient drainage channels for commercial and public sectors.

Architecturally sophisticated ICE congress centre in Krakow with a new reliable drainage system.



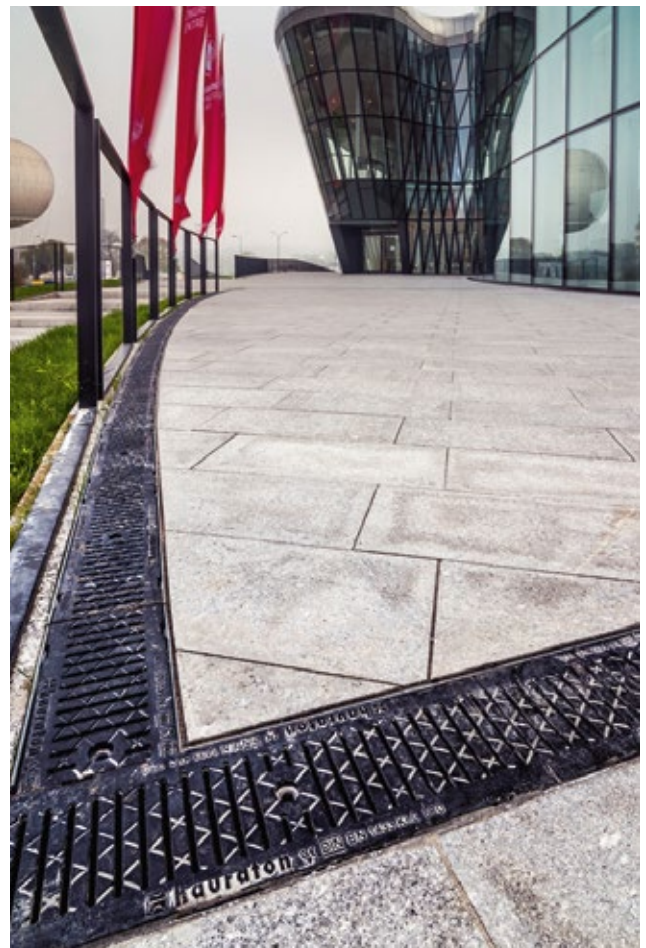
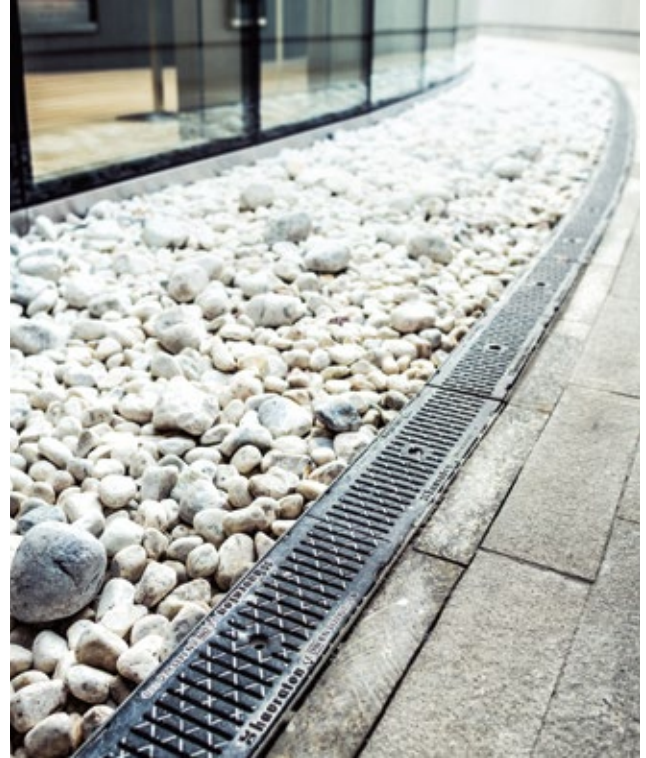
Continuous service for over 13 years:

FASERFIX KS channels offer much more than a reliable and efficient drainage: for the optically sophisticated congress centre in Krakow, the cultural capital of Poland, these represent an ideal solution for modern and unique architecture. Not only because of the 36,000 m² of the conference space and a capacity of 2,000 people in the auditorium does the ICE meet all requirements for international congress organizations. It also has the highest standards in the field of acoustics and stage technology.

Why planners of the ICE in Krakow chose HAURATON:

- attractive design to complement the modern architecture (an impressive shape of the building, facade of glass, titanium, zinc and custom-designed ceramic and stone tiles)
- safe and reliable drainage
- flexible system to suit individual requirements
- T-connections for wiring possible
- high hydraulic performance due to large drainage cross-section
- various products that still result in a harmonious appearance





FASERFIX®
SUPER

FASERFIX®
KS

RECYFIX®
PLUS X

RECYFIX®
INC

RECYFIX®
MONOTEC

RECYFIX®
HICAP®F

FASERFIX®
POINT KS

FASERFIX®
TRAFFIC GUGIBLOC
RECYFIX®
TRAFFIC GUGIBLOC

SERVICE
CHANNEL

KERBFIX 305

YOUR BENEFITS WITH FASERFIX KS

HIGH PERFORMANCE ANGLE HOUSING & SIDE-LOCK

- 20 mm x 20 mm angle housing and inlaying grating
- extremely stable connection between steel angle housing and concrete channel body
- 10 fixing points for gratings per metre (incl. 2 times with optional locking handle)
- extra protection against lateral movement
- 90 % time savings in fixing the grating with **SIDE-LOCK** (compared to a conventional fixing)
- replace and insert the grating without any special tool, a screwdriver is enough

= **QUALITY ASSURED & COST SAVINGS**



NUMEROUS GRATING OPTIONS

- made of ductile iron, composite, galvanised or stainless steel
- narrow slot width for pedestrian areas available

= **DESIGN FLEXIBILITY**



HIGH STABILITY

- maximum lateral stability through extra thick walls compared to many competitors' products for additional security in extreme situations
- installation for asphalted surface up to class E 600 without concrete stretcher

= **QUALITY- & PERFORMANCE ASSURED**



HIGH-TECH MATERIAL

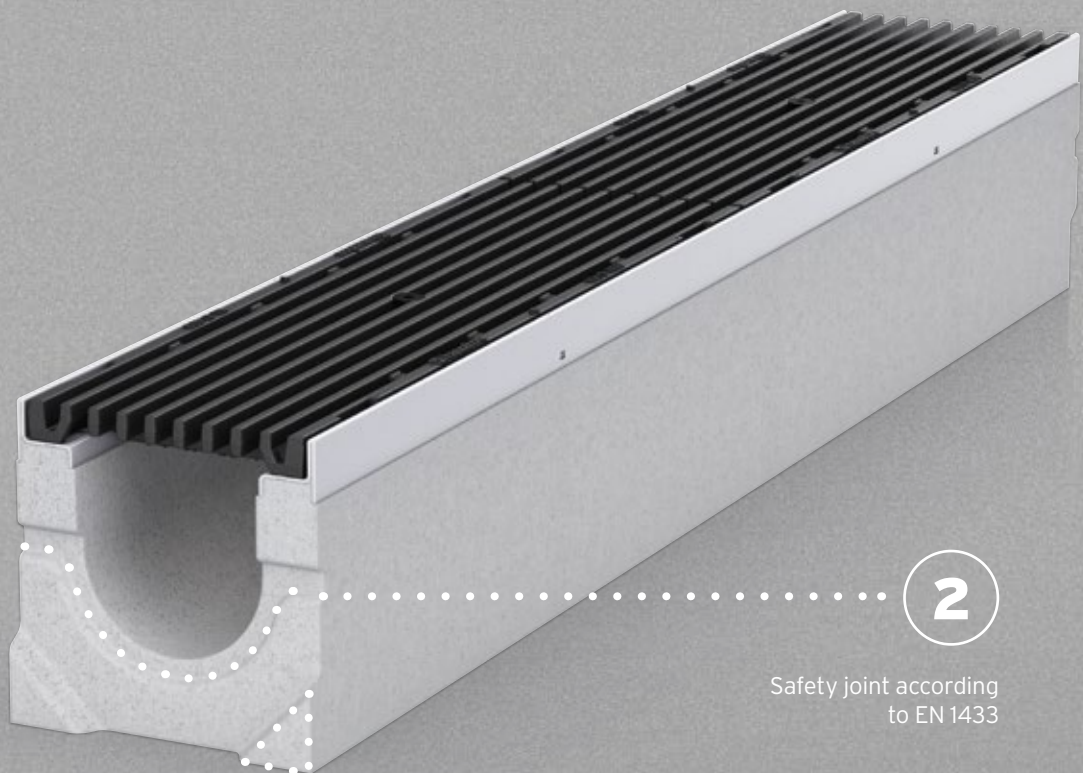
- „Made in Germany“
- maximum stability through fibre-reinforced concrete (Basalt fibres) with low weight
- adheres well to foundation concrete (same coefficient with regard to thermal expansion)
- installation without grating possible
- fire resistance class A1 (not flammable) according to DIN 4102

= **QUALITY- & PERFORMANCE ASSURED**



IDEAL FOR ...

applications with high loads up to class F 900, such as traffic areas for commercial and public areas.



1

Tongue and groove connection

2

Safety joint according to EN 1433

FASERFIX KS

Stable and efficient drainage channels for commercial and public sectors.

FASERFIX KS channels meet the requirements of DIN EN 1433 and are suitable for the following load categories:



Category A 15,
Load class 15 kN



Category B 125,
Load class 125 kN



Category C 250,
Load class 250 kN



Category D 400,
Load class 400 kN

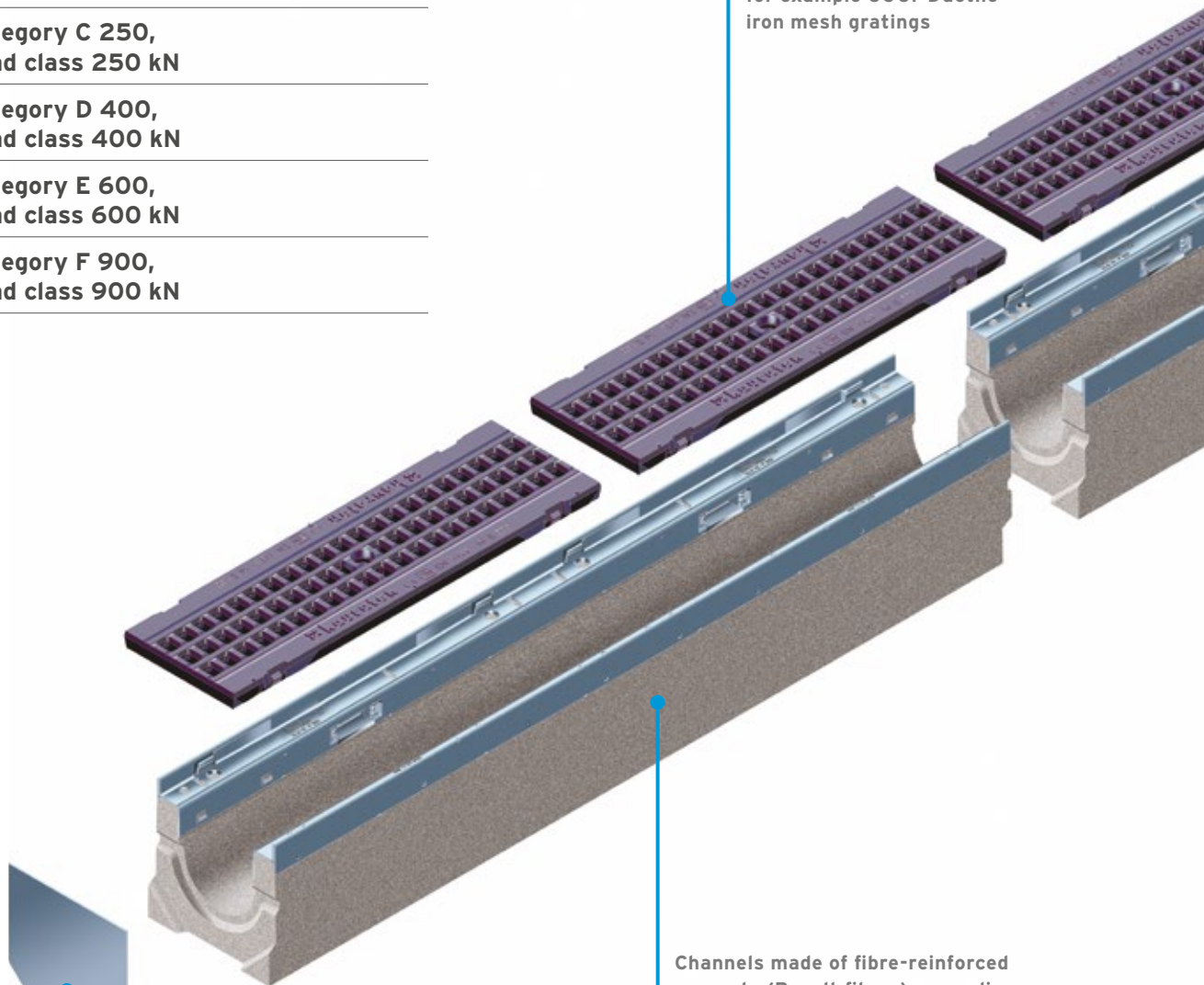


Category E 600,
Load class 600 kN



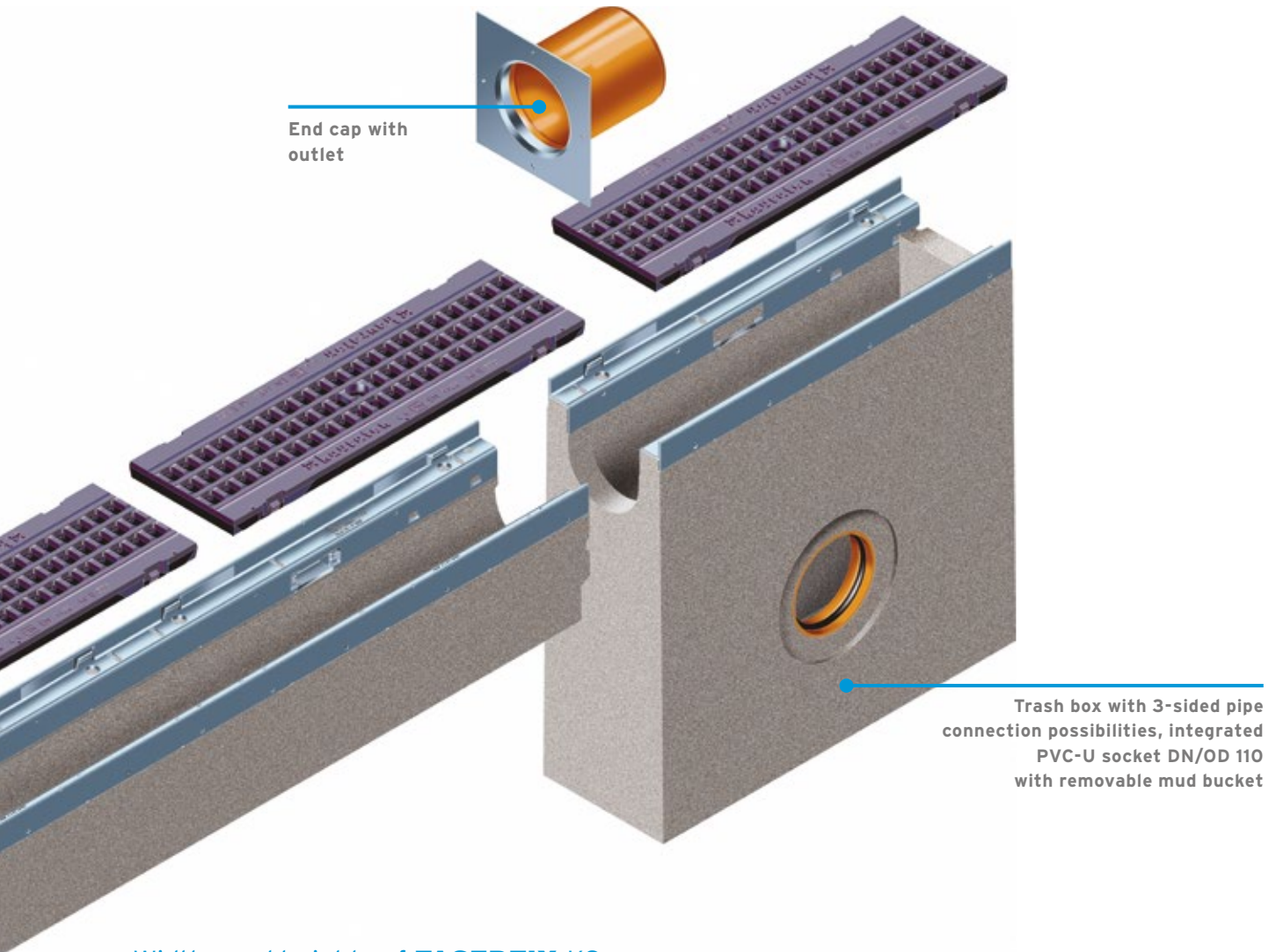
Category F 900,
Load class 900 kN

Numerous grating options,
for example GUGI-Ductile
iron mesh gratings



Channels made of fibre-reinforced
concrete (Basalt fibres), according
to DIN V 19580/EN 1433, CE-conform
with safety joint, steel angle housings
and boltless locking system SIDE-LOCK
with groove and tongue connection
for exact installation

End cap without
outlet



Widths and heights of **FASERFIX** KS:



Nominal sizes	100			150			200			300		
	Width	Height	Inside height	Width	Height	Inside height	Width	Height	Inside height	Width	Height	Inside height
Type 80	160	80	55	-	-	-	-	-	-	-	-	-
Type 100	160	100	75	-	-	-	-	-	-	-	-	-
Type 110	-	-	-	210	110	70	260	110	70	-	-	-
Type 150	-	-	-	210	150	110	260	150	110	-	-	-
Type 200	-	-	-	210	200	160	260	200	160	-	-	-
Type 01	160	160	120	210	220	170	260	275	220	-	-	-
Type 05	160	184	144	-	-	-	-	-	-	-	-	-
Type 010	160	214	174	210	265	215	260	320	265	360	340	270
Type 015	160	244	204	210	290	240	260	345	290	-	-	-
Type 020	160	274	234	210	315	265	260	370	315	-	-	-
available with built-in fall	x			x			x			-		

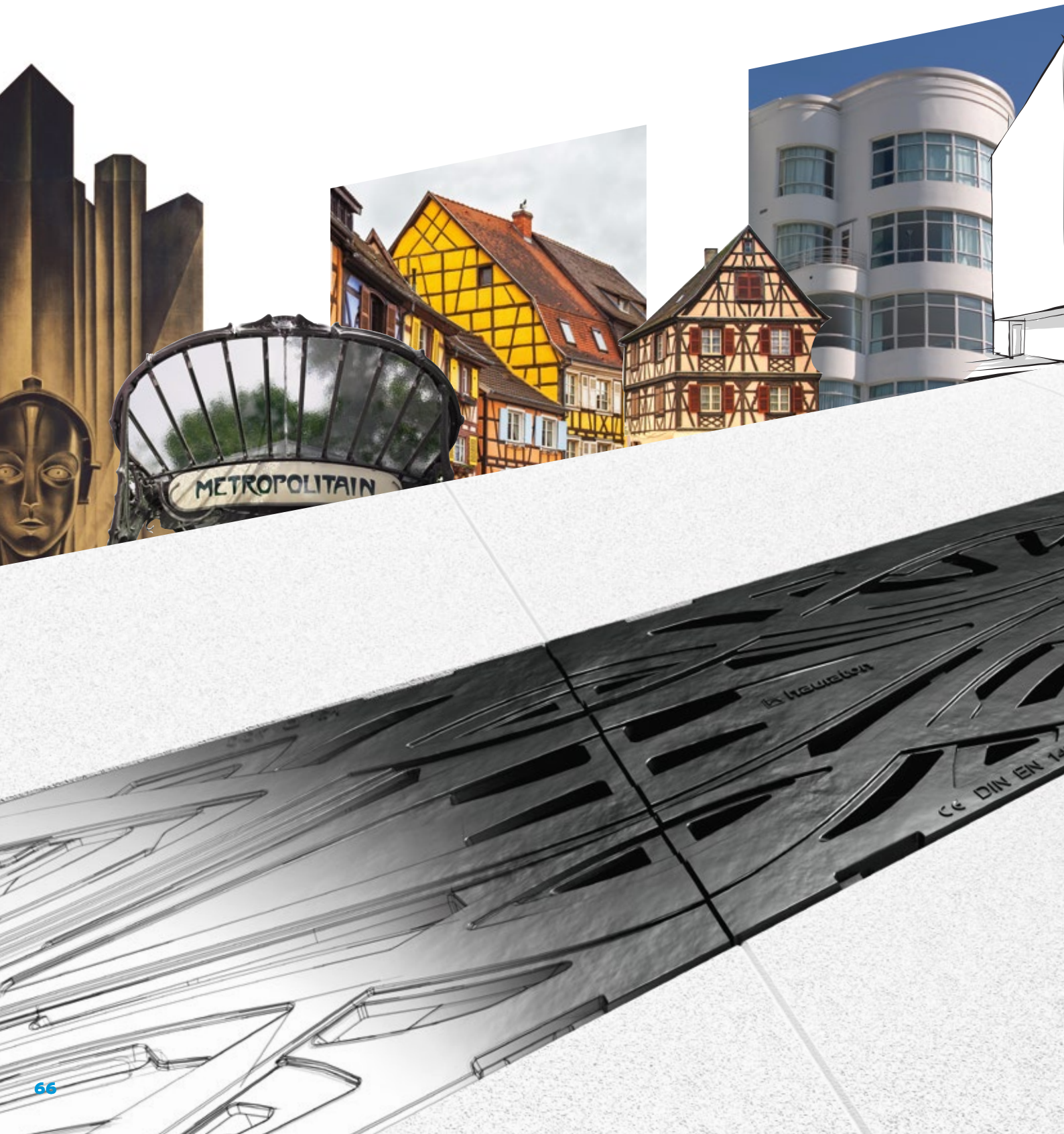


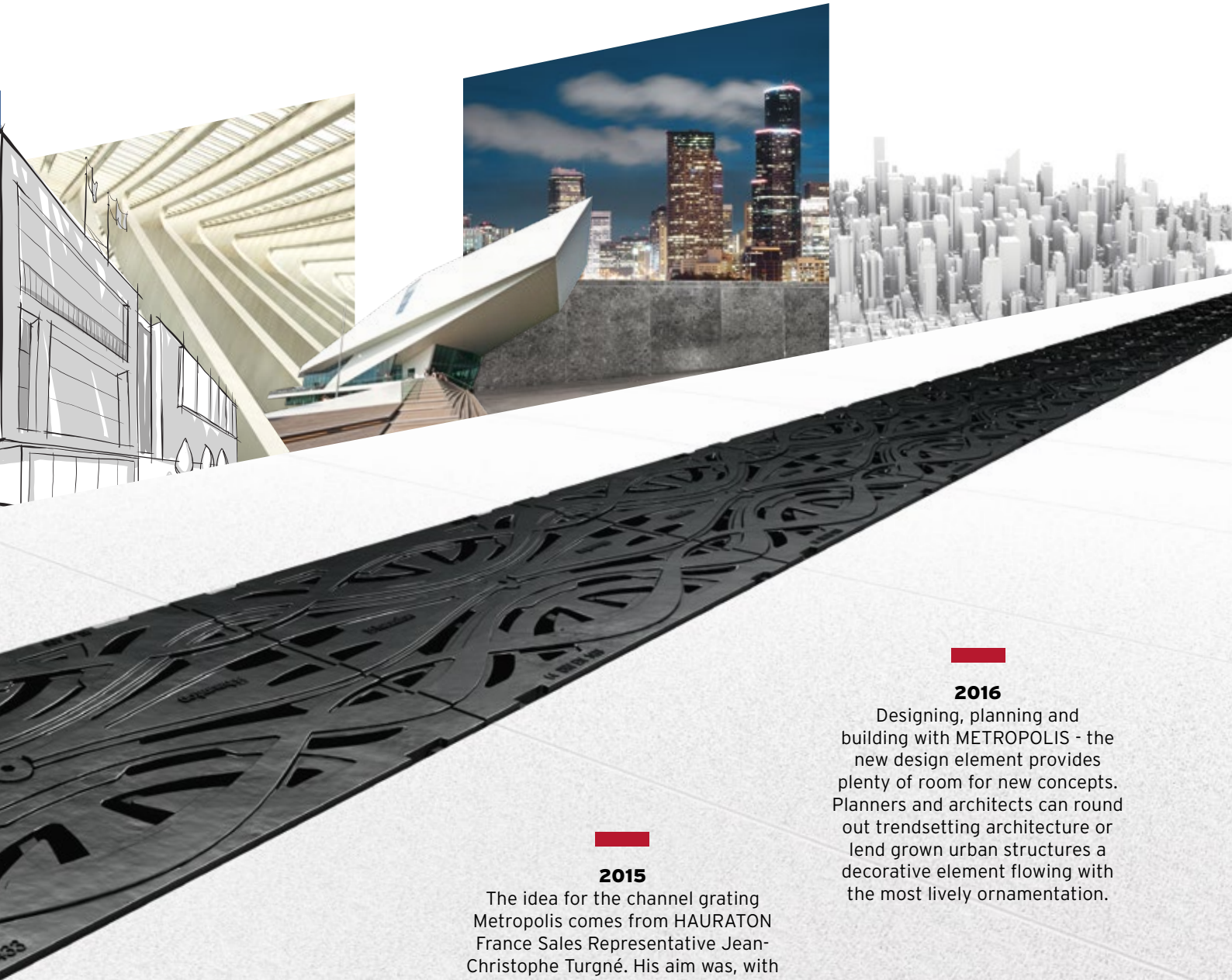
Width/Height/Inside height (in mm)

- FASERFIX[®] SUPER
- FASERFIX[®] KS
- RECYFIX[®] PLUS X
- RECYFIX[®] NC
- RECYFIX[®] MONOTEC
- RECYFIX[®] HICAP[®] F
- FASERFIX[®] POINT KS
- FASERFIX[®] TRAFFIC GUGBLOC
RECYFIX[®] TRAFFIC GUGBLOC
- SERVICE CHANNEL
- KERBFIX 305

METROPOLIS

Inspired from history - Made for the future





1927

The movie 'Metropolis', by Fritz Lang, has influenced various genres since its creation in 1927. With the expressionist representation of a futuristic metropolis, the film producer developed a leitmotif that still inspires artists and designers today.

2015

The idea for the channel grating Metropolis comes from HAURATON France Sales Representative Jean-Christophe Turgné. His aim was, with a functional component such as the drainage channel, to set standards with respect to aesthetics and to impart specific construction projects with futuristic, decorative details.

2016

Designing, planning and building with METROPOLIS - the new design element provides plenty of room for new concepts. Planners and architects can round out trendsetting architecture or lend grown urban structures a decorative element flowing with the most lively ornamentation.

The new style of drainage!

Artistically combined, uniquely attractive: coloured **FIBRETEC** gratings.



FIBRETEC®
Fur, Sand, Stone, Blue



FIBRETEC

The art of drainage has many styles. With the coloured **FIBRETEC** gratings, HAURATON creates a completely new scope of design.

The unique channel gratings in the colours Fern, Sand and Stone can be combined with different materials. Thus, new compositions of colours and textures can always be created. As desired, the coloured FIBRETEC gratings can accentuate the colour composition of the surroundings or harmonize as a complete work of art.



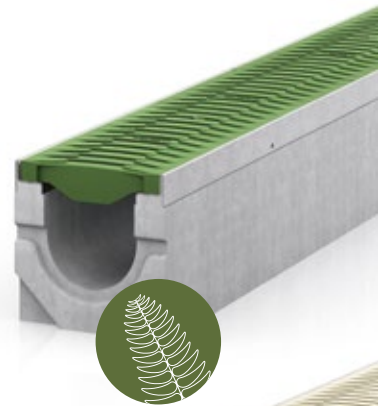
Inspiration for the new gratings was the proven black FIBRETEC which has received various awards since its introduction in 2010. One of these awards is the International Design Award Baden-Württemberg Focus Open.



The production of the coloured FIBRETEC gratings in the colours Fern, Sand and Stone is done with coloured granulate. The result are uniformly coloured gratings which are particularly weather and UV-resistant. This was tested and approved in the laboratory according to DIN EN ISO 4892-2 as required by DIN 19580: The gratings were exposed to artificial weathering for a total of 1,600 hours in the form of xenon arc radiation and irrigation.

The subsequent mechanical tests were very successful - optical changes were hardly measurable. However, slight long-term colour changes in the material cannot be ruled out.

FIBRETEC in Fern



FIBRETEC in Sand



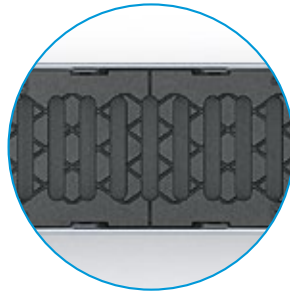
FIBRETEC in Stone



FIBRETEC in Black



Grating options **FASERFIX** KS 100



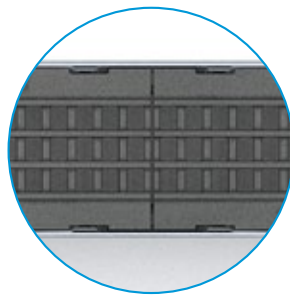
Ductile iron gratings

Slot width: 100 x 14 mm



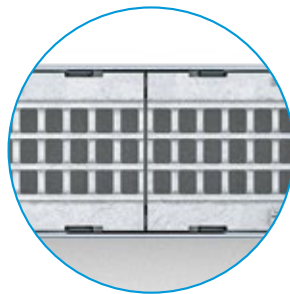
Ductile iron gratings

Slot width: 100 x 6 mm



GUGI-Ductile iron mesh gratings

Mesh width: 15 x 25 mm



GUGI-Ductile iron mesh gratings, galvanised

Mesh width: 15 x 25 mm



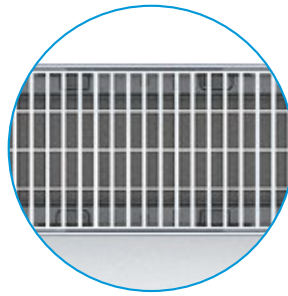
Longitudinal ductile iron grating, KTL

Bar distance: 9 mm



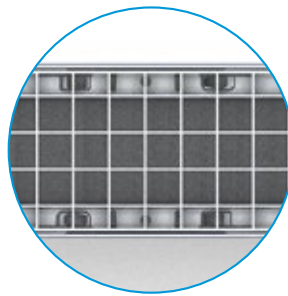
Longitudinal ductile iron grating, galvanised

Bar distance: 9 mm



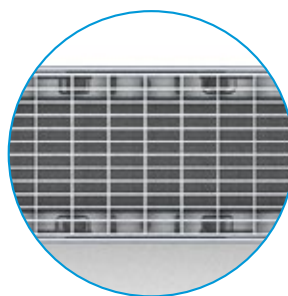
Mesh grating, galvanised

Mesh width: 11 x 30 mm



Mesh grating, galvanised

Mesh width: 30 x 30 mm

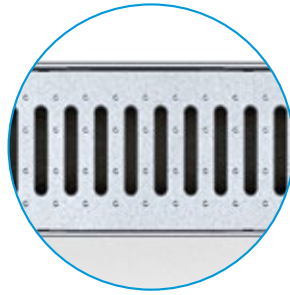


Mesh grating, galvanised

Mesh width: 30 x 10 mm

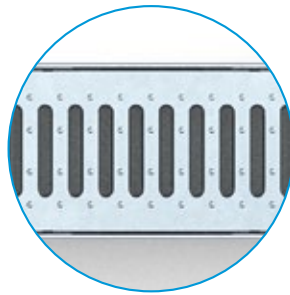
FASERFIX [®] SUPER
FASERFIX [®] KS
RECYFIX [®] PLUS X
RECYFIX [®] INC
RECYFIX [®] MONOTEC
RECYFIX [®] HICAP [®] F
FASERFIX [®] POINT KS
FASERFIX [®] TRAFFIC GUGBLOC RECYFIX [®] TRAFFIC GUGBLOC
SERVICE CHANNEL
KERBFIX 305

Grating options **FASERFIX** KS 100



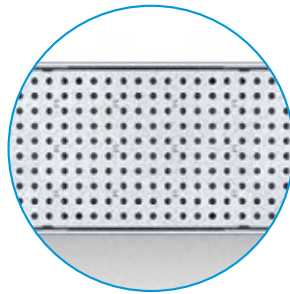
Slotted grating, galvanised

Slot width: 80 x 10 mm



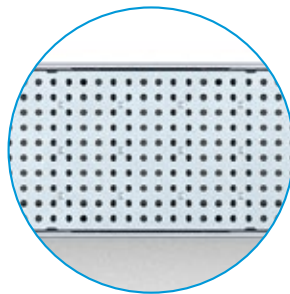
Slotted grating, stainless steel

Slot width: 80 x 10 mm



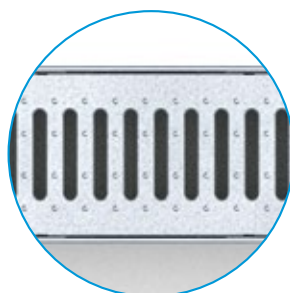
Perforated grating, galvanised

Hole diameter: 6 mm



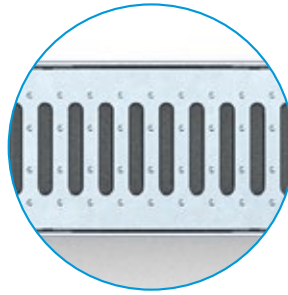
Perforated grating, stainless steel

Hole diameter: 6 mm



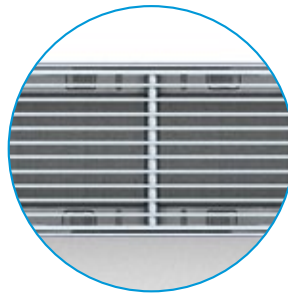
Reinforced slotted grating, galvanised

Slot width: 80 x 10 mm



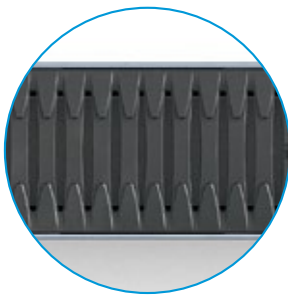
Reinforced slotted grating, stainless steel

Slot width: 80 x 10 mm



Longitudinal slot grating, stainless steel

Bar distance: 10 mm



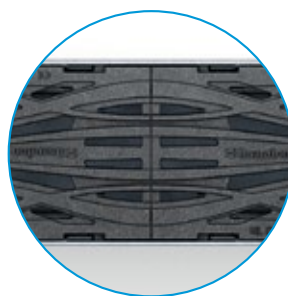
FIBRETEC design slotted grating, composite material

Slot width: 9 mm



GUGI-Ductile iron mesh grating, composite material

Mesh width: 15 x 25 mm



Ductile iron design grating, METROPOLIS, black, KTL

Seven new colors of **FIBRETEC Design** gratings can be found on page 85

FASERFIX® SUPER
FASERFIX® KS
RECYFIX® PLUS X
RECYFIX® INC
RECYFIX® MONOTEC
RECYFIX® HICAP® F
FASERFIX® POINT KS
FASERFIX® TRAFFIC GUGIBLOC RECYFIX® TRAFFIC GUGIBLOC
SERVICE CHANNEL
KERBFIX 305

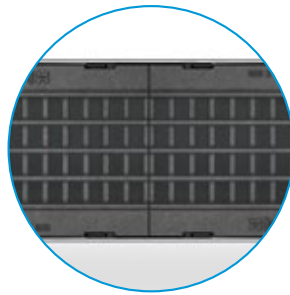
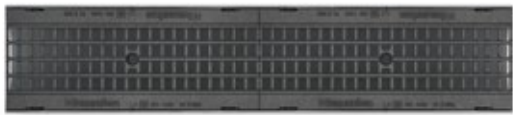
Grating options

FASERFIX KS 150



Ductile iron gratings

Slot width: 132 x 20 mm



GUGI-Ductile iron mesh gratings

Mesh width: 15 x 25 mm



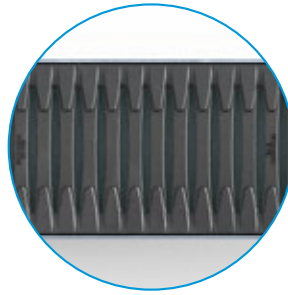
Longitudinal ductile iron grating, KTL

Bar distance: 9 mm



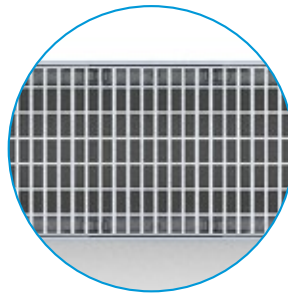
Longitudinal ductile iron grating, galvanised

Bar distance: 9 mm



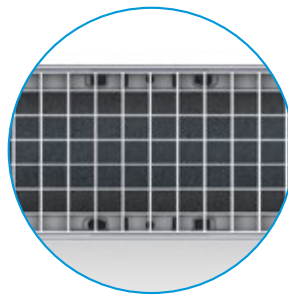
**FIBRETEC design
slotted grating,
black**

Slot width: 9 mm



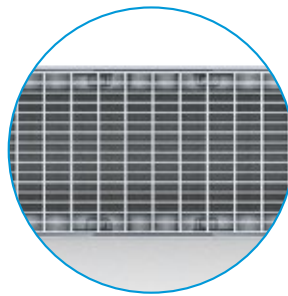
**Mesh grating,
galvanised**

Mesh width: 11 x 30 mm



**Mesh grating,
galvanised**

Mesh width: 30 x 30 mm

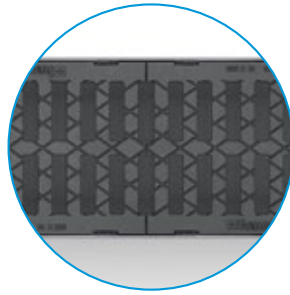


**Mesh grating,
galvanised**

Mesh width: 30 x 10 mm

FASERFIX [®] SUPER
FASERFIX [®] KS
RECYFIX [®] PLUS X
RECYFIX [®] INC
RECYFIX [®] MONOTEC
RECYFIX [®] HICAP [®] F
FASERFIX [®] POINT KS
FASERFIX [®] TRAFFIC GUGBLOC RECYFIX [®] TRAFFIC GUGBLOC
SERVICE CHANNEL
KERBFIX 305

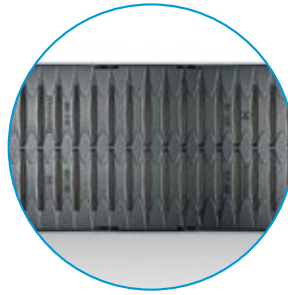
Grating options
FASERFIX KS 150



Ductile iron gratings

Slot width: 2 x 85 x 20 mm

Grating options **FASERFIX** KS 200



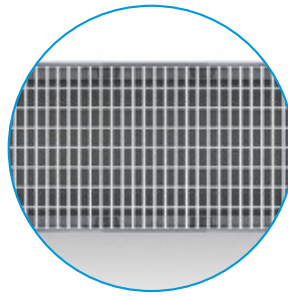
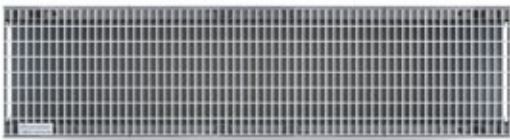
**G-TEC Ductile
iron grating, KTL**

Slot width: 2 x 85 x 9 mm



**GUGI-Ductile
iron mesh gratings**

Mesh width: 15 x 25 mm



**Mesh grating,
galvanised**

Mesh width: 11 x 30 mm



**Longitudinal ductile iron
grating, galvanised**

Bar distance: 9 mm

FASERFIX®
SUPER

FASERFIX®
KS

RECYFIX®
PLUS X

RECYFIX®
INC

RECYFIX®
MONOTEC

RECYFIX®
HICAP®F

FASERFIX®
POINT KS

FASERFIX®
TRAFFIC GUGIBLOC
RECYFIX®
TRAFFIC GUGIBLOC

SERVICE
CHANNEL

KERBFIX 305

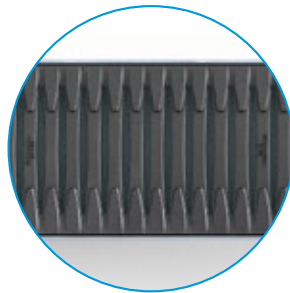
Grating options

FASERFIX KS 200



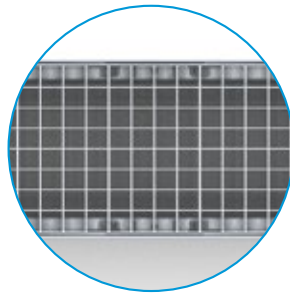
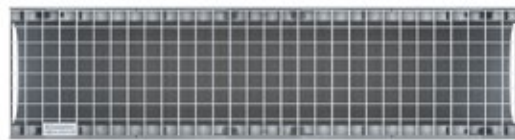
Ductile iron longitudinal grating, KTL

Bar distance: 9 mm



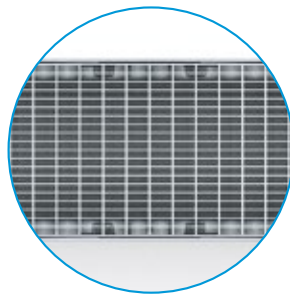
FIBRETEC design slotted grating, composite material

Slot width: 9 mm



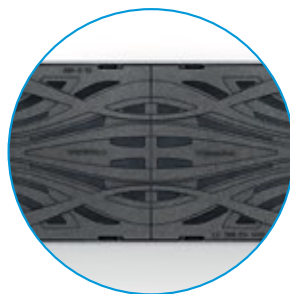
Mesh grating, galvanised

Mesh width: 30 x 30 mm



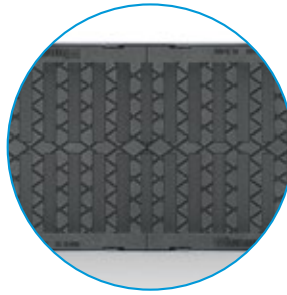
Mesh grating, galvanised

Mesh width: 30 x 10 mm



Ductile iron design grating METROPOLIS

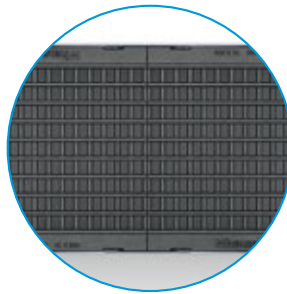
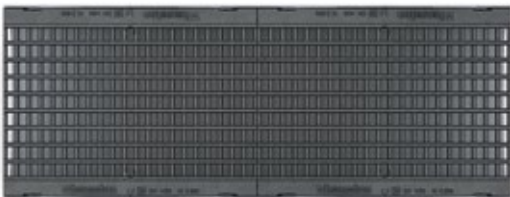
Grating options
FASERFIX KS 300



Ductile iron gratings
 Slot width: 2 x 140 x 18 mm



G-TEC Ductile iron grating, KTL
 Slot width: 2 x 141 x 9 mm



GUGI-Ductile iron mesh gratings
 Mesh width: 15 x 25 mm

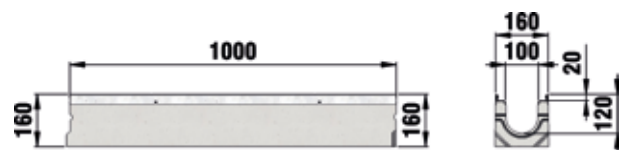
FASERFIX® SUPER
FASERFIX® KS
RECYFIX® PLUS X
RECYFIX® INC
RECYFIX® MONOTEC
RECYFIX® HICAP®F
FASERFIX® POINT KS
FASERFIX® TRAFFIC GUGIBLOC RECYFIX® TRAFFIC GUGIBLOC
SERVICE CHANNEL
KERBFIX 305

FASERFIX®KS 100

Channels

FASERFIX®KS 100 up to load class F 900

Type 01, 1,0 m



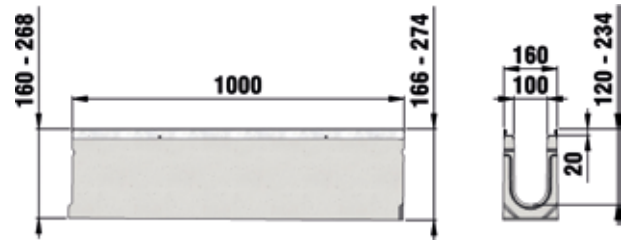
	Length mm	Width mm	Height mm	Internal channel cross-sect. cm ²	Weight kg	Item-No. galvanised	Item-No. stainless steel
Type 01, 1,0 m	1000	160	160	88	32,96	8000	8200
Type 0105, 0,5 m	500	160	160	88	16,51	8049	8249
Type 01L with hole, DN/OD 110, 1,0 m*	1000	160	160	88	32,20	8045	8245
NEW Type 01, with PVC-U pipe outlet DN/OD 110, 1,0 m*	1000	160	160	88	33,26	8021	8221
Type 05, 1,0 m	1000	160	184	113	36,31	8041	8241
NEW Type 05L with hole, DN/OD 110, 1,0 m*	1000	160	184	113	35,37	8035	8235
Type 0505, 0,5 m	500	160	184	113	18,16	8024	8224
Type 010, 1,0 m	1000	160	214	143	40,21	8042	8242
NEW Type 01005, 0,5 m	500	160	214	143	21,50	8050	8250
NEW Type 010L with hole, DN/OD 110, 1,0 m*	1000	160	214	143	39,00	8046	8246
NEW Type 010, with PVC-U pipe outlet DN/OD 110, 1,0 m*	1000	160	214	143	40,51	8022	8222
Type 015, 1,0 m	1000	160	244	173	45,34	8043	8243
NEW Type 015L with hole, DN/OD 110, 1,0 m*	1000	160	244	173	45,00	8036	8236
Type 020, 1,0 m	1000	160	274	206	49,00	8044	8244
NEW Type 020L with hole, DN/OD 110, 1,0 m*	1000	160	274	206	48,00	8037	8237
NEW Type 020, with PVC-U pipe outlet DN/OD 110, 1,0 m*	1000	160	274	206	49,30	8023	8223
NEW Type 02005, 0,5 m	500	160	274	206	24,50	8026	8226
Type 80 flat channel, 1,0 m	1000	160	80	34	15,98	1106	1706
Type 100 flat channel, 1,0 m	1000	160	100	54	19,23	1108	1708
NEW Type 80L with hole, DN/OD 110*	1000	160	80	34	15,33	1137	1237
NEW Type 100L with hole, DN/OD 110, 1,0 m*	1000	160	100	54	18,58	1138	1238

The quality of stainless steel material corresponds to CNS 1.4301.

* Position of the opening to the bottom of the channel. 100 mm from the centre of the hole (DN/OD 110) to the end of the channel.

FASERFIX®KS 100

FASERFIX®KS 100 with built-in fall 0.6 %, up to load class F 900



	Length mm	Width mm	Height mm	Internal channel cross-sect. cm ²	Weight kg	Item-No. galvanised	Item-No. stainless steel
Type 1, 1,0 m	1000	160	160 - 166	89	33,03	8001	8201
Type 2, 1,0 m	1000	160	166 - 172	95	34,09	8002	8202
Type 3, 1,0 m	1000	160	172 - 178	101	34,68	8003	8203
Type 4, 1,0 m	1000	160	178 - 184	107	35,61	8004	8204
Type 5, 1,0 m	1000	160	184 - 190	113	36,77	8005	8205
Type 6, 1,0 m	1000	160	190 - 196	119	37,16	8006	8206
Type 7, 1,0 m	1000	160	196 - 202	125	37,90	8007	8207
Type 8, 1,0 m	1000	160	202 - 208	131	38,91	8008	8208
Type 9, 1,0 m	1000	160	208 - 214	137	39,46	8009	8209
Type 10, 1,0 m	1000	160	214 - 220	143	39,99	8010	8210
Type 11, 1,0 m	1000	160	220 - 226	149	42,21	8011	8211
Type 12, 1,0 m	1000	160	226 - 232	155	43,47	8012	8212
Type 13, 1,0 m	1000	160	232 - 238	161	43,99	8013	8213
Type 14, 1,0 m	1000	160	238 - 244	167	44,98	8014	8214
Type 15, 1,0 m	1000	160	244 - 250	173	45,00	8015	8215
Type 16, 1,0 m	1000	160	250 - 256	179	45,48	8016	8216
Type 17, 1,0 m	1000	160	256 - 262	185	46,80	8017	8217
Type 18, 1,0 m	1000	160	262 - 268	191	47,67	8018	8218
Type 19, 1,0 m	1000	160	268 - 274	197	48,00	8019	8219

The quality of stainless steel material corresponds to CNS 1.4301.

FASERFIX®
SUPER

FASERFIX®
KS

RECYFIX®
PLUS X

RECYFIX®
INC

RECYFIX®
MONOTEC

RECYFIX®
HICAP®F

FASERFIX®
POINT KS

FASERFIX®
TRAFFIC GUGBLOC
RECYFIX®
TRAFFIC GUGBLOC

SERVICE
CHANNEL

KERBFIX 305

FASERFIX®KS 100

Gratings

FASERFIX®KS 100, class A 15



Slotted grating
SW 10 mm, 1,0 m



Longitudinal slot grating,
SW 10 mm, stainless steel,
1,0 m

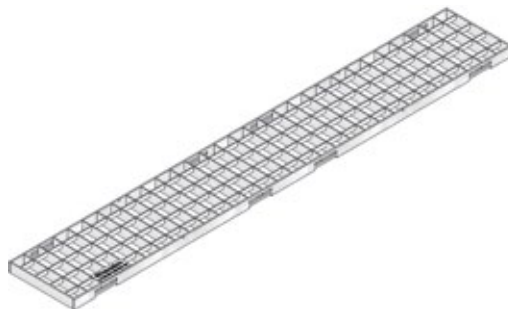
	Length mm	Width mm	Height mm	Intake cross-sect. cm ² /m	Weight kg	Item-No. galvanised	Item-No. stainless steel
Slotted grating SW 10 mm, 1,0 m	1000	149	20	278	2,75	8161	8163
Slotted grating SW 10 mm, 0,5 m	500	149	20	278	1,30	8162	8164
Longitudinal slot grating, SW 10 mm, stainless steel, 1,0 m	1000	149	20	-	5,94	-	8590
Longitudinal slot grating, SW 10 mm, stainless steel, 0,5 m	500	149	20	-	2,98	-	8591

The quality of stainless steel material corresponds to CNS 1.4301.

FASERFIX®KS 100, class B 125



GUGI mesh grating
MW 15/25 mm, black,
made of high-quality PA-GF
(Polyamide), 0,5 m



Mesh grating
MW 30/30 mm, galvanised,
1,0 m

	Length mm	Width mm	Height mm	Intake cross-sect. cm ² /m	Weight kg	Item No.
GUGI mesh grating MW 15/25 mm, black, made of high-quality PA-GF (Polyamide), 0,5 m	500	149	20	426	0,90	8099
Mesh grating MW 30/10 mm, galvanised, 1,0 m	1000	149	20	1322	4,00	8151
Mesh grating MW 30/10 mm, galvanised, 0,5 m	500	149	20	1306	2,00	8152
Mesh grating MW 30/30 mm, galvanised, 1,0 m	1000	149	20	878	3,00	8077
Mesh grating MW 30/30 mm, galvanised, 0,5 m	500	149	20	869	1,50	8078

FASERFIX®KS 100

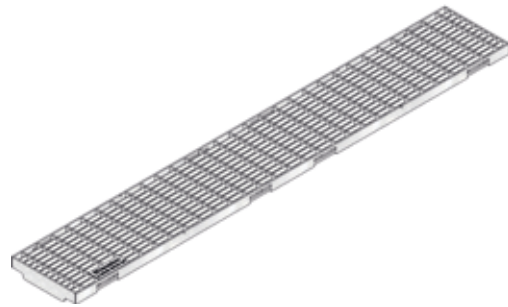
FASERFIX®KS 100, class C 250



Ductile iron grating
SW 6 mm, black, 0,5 m



Longitudinal ductile iron grating
SW 9 mm, black, KTL-coated,
locked, 0,5 m



Mesh grating
MW 30/10 mm, 1,0 m

	Length mm	Width mm	Height mm	Intake cross-sect. cm ² /m	Weight kg	Item-No. galvanised	Item-No. stainless steel
Ductile iron grating SW 14 mm, black, 0,5 m	500	149	20	462	3,41	28064	-
Ductile iron grating, SW 14 mm, black, locked, KTL-coated, 0,5 m	500	149	20	462	3,30	8864	-
Ductile iron grating SW 6 mm, black, 0,5 m	500	149	20	280	3,60	28068	-
Ductile iron grating SW 6 mm, black, locked, KTL-coated, 0,5 m	500	149	20	280	3,60	8868	-
Ductile iron grating SW 100/6 mm, galvanised, 0,5 m	500	149	20	280	3,60	29868	-
Ductile iron grating SW 100/14 mm, galvanised, 0,5 m	500	149	20	462	3,41	29864	-
Longitudinal ductile iron grating SW 9 mm, galvanised, 0,5 m	500	149	20	528	3,65	8876	-
Longitudinal ductile iron grating SW 9 mm, black, KTL-coated, locked, 0,5 m	500	149	20	528	3,65	8875	-
Mesh grating MW 30/10 mm, 1,0 m	1000	149	20	1285	5,00	8154	28577
Mesh grating MW 30/10 mm, 0,5 m	500	149	20	1268	2,60	8155	28578
Mesh grating MW 30/30 mm, galvanised, 1,0 m	1000	149	20	828	4,40	28073	-
Mesh grating MW 30/30 mm, galvanised, 0,5 m	500	149	20	819	2,20	28074	-
Reinforced slotted grating SW 10 mm, 1,0 m	1000	149	20	281	5,28	28167	28169
Reinforced slotted grating SW 10 mm, 0,5 m	500	149	20	281	2,60	28168	28170
Perforated grating diam. 6 mm, 1,0 m	1000	149	20	191	5,30	28171	28177
Perforated grating diam. 6 mm, 0,5 m	500	149	20	191	2,60	28172	28178

The quality of stainless steel material corresponds to CNS 1.4301.

FASERFIX®
SUPER

FASERFIX®
KS

RECYFIX®
PLUS X

RECYFIX®
INC

RECYFIX®
MONOTEC

RECYFIX®
HICAP®F

FASERFIX®
POINT KS

FASERFIX®
TRAFFIC GUGIBLOC
RECYFIX®
TRAFFIC GUGIBLOC

SERVICE
CHANNEL

KERBFIX 305

FASERFIX®KS 100

Gratings

FASERFIX®KS 100, class C 250, FIBRETEC Design gratings



FIBRETEC design slotted grating SW 9 mm, in the colour Black, 0,5 m



FIBRETEC design slotted grating SW 9 mm, in the colour Sand, 0,5 m



FIBRETEC design slotted grating SW 9 mm, in the colour Fern, 0,5 m



FIBRETEC design slotted grating SW 9 mm, in the colour Stone, 0,5 m

	Length mm	Width mm	Height mm	Intake cross-sect. cm ² /m	Weight kg	Item-No. galvanised
FIBRETEC design slotted grating SW 9 mm, in the colour Black, 0,5 m	500	149	20	372	1,05	8098
FIBRETEC design slotted grating SW 9 mm, in the colour Sand, 0,5 m	500	149	20	372	1,05	8100
FIBRETEC design slotted grating SW 9 mm, in the colour Fern, 0,5 m	500	149	20	372	1,05	8102
FIBRETEC design slotted grating SW 9 mm, in the colour Stone, 0,5 m	500	149	20	372	1,05	8101

FASERFIX®KS 100

NEW FASERFIX®KS 100, class C 250, FIBRETEC Design gratings in new colours



FIBRETEC design slotted grating SW 9 mm, in the colour Water, 0,5 m



FIBRETEC design slotted grating SW 9 mm, in the colour HAURATON Petrol, 0,5 m



FIBRETEC design slotted grating SW 9 mm, in the colour Corten, 0,5 m



FIBRETEC design slotted grating SW 9 mm, in the colour Aluminium, 0,5 m



FIBRETEC design slotted grating SW 9 mm, in the colour Brick, 0,5 m



FIBRETEC design slotted grating SW 9 mm, in the colour Slate, 0,5 m



FIBRETEC design slotted grating SW 9 mm, in the colour Sun, 0,5 m

	Length mm	Width mm	Height mm	Intake cross-sect. cm ² /m	Weight kg	Item-No. galvanised
FIBRETEC design slotted grating SW 9 mm, in the colour Water, 0,5 m	500	149	20	372	1,05	8103
FIBRETEC design slotted grating SW 9 mm, in the colour HAURATON Petrol, 0,5 m	500	149	20	372	1,05	8104
FIBRETEC design slotted grating SW 9 mm, in the colour Corten, 0,5 m	500	149	20	372	1,05	8105
FIBRETEC design slotted grating SW 9 mm, in the colour Aluminium, 0,5 m	500	149	20	372	1,05	8106
FIBRETEC design slotted grating SW 9 mm, in the colour Brick, 0,5 m	500	149	20	372	1,05	8107
FIBRETEC design slotted grating SW 9 mm, in the colour Slate, 0,5 m	500	149	20	372	1,05	8108
FIBRETEC design slotted grating SW 9 mm, in the colour Sun, 0,5 m	500	149	20	372	1,05	8109

NEW FASERFIX®KS 100, class C 250, FIBRETEC Design grating, with slip resistance class R11



FIBRETEC design slotted grating, SW 9 mm, black, slip resistance class R11, 0,5 m

	Length mm	Width mm	Height mm	Intake cross-sect. cm ² /m	Weight kg	Item-No. galvanised
FIBRETEC design slotted grating, SW 9 mm, black, slip resistance class R11, 0,5 m	500	149	20	372	1,05	10228

FASERFIX®
SUPER

FASERFIX®
KS

RECYFIX®
PLUS X

RECYFIX®
INC

RECYFIX®
MONOTEC

RECYFIX®
HICAP®F

FASERFIX®
POINT KS

FASERFIX®
TRAFFIC GUGBLOC
RECYFIX®
TRAFFIC GUGBLOC

SERVICE
CHANNEL

KERBFIX 305

FASERFIX®KS 100

Gratings

FASERFIX®KS 100, class D 400*



Ductile iron design grating, METROPOLIS, black, locked, KTL-coated, 0,5 m



Ductile iron longitudinal grating SW 9 mm, black, locked, KTL-coated, 0,5 m

	Length mm	Width mm	Height mm	Intake cross-sect. cm ² /m	Weight kg	Item No.
Ductile iron grating SW 14 mm, black, 0,5 m	500	149	20	462	3,66	28063
Ductile iron grating SW 14 mm, black, locked, KTL-coated, 0,5 m	500	149	20	462	3,70	8863
Ductile iron design grating, METROPOLIS, black, locked, KTL-coated, 0,5 m	500	149	20	165	5,10	8871
Ductile iron longitudinal grating SW 9 mm, black, locked, KTL-coated, 0,5 m	500	149	20	528	4,15	8869
Ductile iron longitudinal grating SW 9 mm, galvanised, 0,5 m	500	149	20	528	4,15	8870
Ductile iron grating SW 100/14 mm, galvanised, 0,5 m	500	149	20	462	3,66	29863

* Not for use across the carriageway of highways or motorways in moving traffic.

FASERFIX®KS 100

FASERFIX®KS 100, class E 600



Ductile iron grating
SW 6 mm, black, 0,5 m



GUGI Ductile iron mesh grating,
MW 15/25 mm, black, 0,5 m

	Length mm	Width mm	Height mm	Intake cross-sect. cm ² /m	Weight kg	Item-No. galvanised	Item-No. stainless steel
Ductile iron grating SW 14 mm, black, 0,5 m	500	149	20	462	4,14	28062	-
Ductile iron grating SW 6 mm, black, 0,5 m	500	149	20	280	4,14	28066	-
Ductile iron grating SW 14 mm, black, locked, KTL-coated, 0,5 m	500	149	20	462	4,20	8862	-
Ductile iron grating SW 6 mm, black, locked, KTL-coated, 0,5 m	500	149	20	280	4,00	8866	-
GUGI Ductile iron mesh grating, MW 15/25 mm, black, 0,5 m	500	149	20	426	4,50	28079	-
GUGI-Ductile iron mesh grating, MW 15/25 mm, black, locked, KTL-coated, 0,5 m	500	149	20	426	4,50	8879	-
GUGI Ductile iron mesh grating, MW 15/25 mm, galvanised, 0,5 m	500	149	20	426	4,60	28080	-
Mesh grating MW 11/30 mm, 1,0 m	1000	149	20	695	11,00	28071	28571
Mesh grating MW 11/30 mm, 0,5 m	500	149	20	695	5,85	28072	28572

The quality of stainless steel material corresponds to CNS 1.4301.
Solid ductile iron covers (closed) can be found in the range SERVICE CHANNELS

FASERFIX®KS 100, class F 900



Ductile iron grating
100/14 mm, black, 0,5 m

	Length mm	Width mm	Height mm	Intake cross-sect. cm ² /m	Weight kg	Item No.
Ductile iron grating 100/14 mm, black, 0,5 m	500	149	20	462	4,50	28061

FASERFIX®
SUPER

FASERFIX®
KS

RECYFIX®
PLUS X

RECYFIX®
INC

RECYFIX®
MONOTEC

RECYFIX®
HICAP®F

FASERFIX®
POINT KS

FASERFIX®
TRAFFIC GUGIBLOC
RECYFIX®
TRAFFIC GUGIBLOC

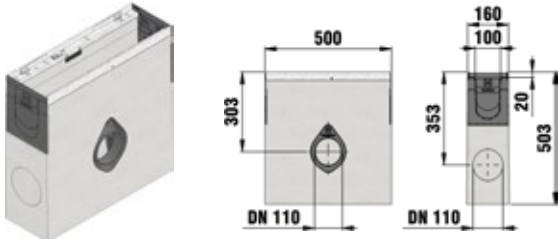
SERVICE
CHANNEL

KERBFIX 305

FASERFIX®KS 100

Accessories

NEW Trash boxes



Trash box, for type 80/100F and type 01 - 010 010, with lateral integrated PVC-U socket DN/OD 110, with galvanised steel angle housing and plastic bucket, 0,5 m



Trash box for type 80F / 100F and type 01 - 010, with lateral integrated PVC-U socket DN/OD 160, with galvanised angle housing and plastic bucket, 0,5 m

	Length mm	Width mm	Height mm	Weight kg	Item-No. galvanised	Item-No. stainless steel
Trash box, for type 80/100F and type 01 - 010, with lateral integrated PVC-U socket DN/OD 110, with galvanised steel angle housing and plastic bucket, 0,5 m	500	160	503	48,00	33000	33001
Trash box for type 11 - 020, with lateral PVC-U socket DN/OD 110, with galvanised steel angle housing and plastic bucket, 0,5 m	500	160	503	48,00	33002	33003
Trash box for type 80F/100F and type 01 - 010, with lateral integrated PVC-U socket DN/OD 160, with galvanised angle housing and plastic bucket, 0,5 m	500	160	503	52,94	33449	-
Trash box for type 10 - 020, with lateral integrated PVC-U socket DN/OD 160, with galvanised angle housing and plastic bucket, 0,5 m	500	160	503	52,94	33450	-

The quality of stainless steel material corresponds to CNS 1.4301.

FASERFIX®KS 100

End caps



End cap closed,
type 01



End cap closed,
type 010

	Length mm	Width mm	Height mm	Weight kg	Item-No. galvanised	Item-No. stainless steel
End cap closed, type 01	-	160	160	0,37	8081	8181
End cap closed, type 010	-	160	214	0,50	8082	8182
End cap closed, type 020	-	160	274	0,64	8083	8183
End cap closed, type 80	-	160	80	0,19	1181	1681
End cap closed, type 100F	-	160	100	0,24	1183	1683
End cap with horizontal PVC-U pipe outlet DN/OD 110, type 010	-	160	214	0,59	8087	8186
End cap with horizontal PVC-U pipe outlet DN/OD 110, type 020	-	160	274	0,73	8089	8187

The quality of stainless steel material corresponds to CNS 1.4301.

FASERFIX®KS 100

Accessories

Further accessories



Foul air trap, horizontal, with rubber sealing, black



Foul air trap DN/OD 110, outside



Mud bucket vertical made of modified composite for outlet DN/OD 110, black



Plastic bucket for trash box



Locking handle for FASERFIX KS 100 for slotted grating/reinforced slotted grating galvanised/stainless steel



Installation aid NW 100 (exclusively for laying channels! For laying 2 pieces are necessary) - due to security reasons no return can be made

	Length mm	Width mm	Height mm	Weight kg	Item No.
Foul air trap, horizontal, with rubber sealing, black	-	-	-	0,11	966
Foul air trap DN/OD 110, with hole	-	-	103	0,24	964
Foul air trap DN/OD 110, outside	-	-	-	0,37	961
PVC-U pipe outlet, DN/OD 110	-	-	-	0,20	903
PVC mud bucket for trash box, 50 cm	420	85	152	0,25	940
Mud bucket vertical made of modified composite for outlet DN/OD 110, black	100	100	85	0,04	40293
NEW Plastic bucket for trash box	426	88	283	0,45	33010
Universal sealant/adhesive Siga-Meltell® 320 black**	-	-	-	0,97	19051
Tubular pistol for universal sealant/adhesive Siga-Meltell® 320 black**	-	-	-	1,30	6891
Locking handle for SUPER KS 100 ductile iron grating	28	117	35	0,11	98210
NEW Locking handle for FASERFIX KS 100 for slotted grating/reinforced slotted grating galvanised/stainless steel	28	117	35	-	98211
NEW Locking handle for FASERFIX KS 100 for perforated grating galvanised/stainless steel also for longitudinal ductile iron grating, galvanised	28	117	40	-	98212
NEW Locking handle for FASERFIX KS 100 for FIBRETEC design slotted grating also for longitudinal ductile iron grating, KTL coated	28	117	50	0,04	98213
Installation aid NW 100 (exclusively for laying channels! For laying 2 pieces are necessary) - due to security reasons no return can be made	-	-	-	1,60	705

** Consumption for channel type 020: approx. 65 ml per joint.

FASERFIX®KS 100

Factory-made services



Cutting to length of NW 100



Mitre cuts NW 100 (price per cut, two cuts necessary)



Cutting for gradient for all nominal widths



Drilling of connecting holes DN/OD 75



Factory-made insertion of PVC-U union connectors DN/OD 110 (incl. drilling)



Fixing-system EP, empty pipe in the channel bottom, (2 pieces per metre)

	Length mm	Width mm	Height mm	Weight kg	Item No.
Cutting to length of NW 100	-	-	-	-	990
Mitre cuts NW 100 (price per cut, two cuts necessary)	-	-	-	-	995
Cutting for gradient for all nominal widths	-	-	-	-	890
Drilling of connecting holes DN/OD 75	-	-	-	-	971
Drilling of connecting holes DN/OD 110	-	-	-	-	972
Factory-made insertion of modified PP union connectors DN/OD 75 (incl. drilling)	-	-	-	-	981
Factory-made insertion of PVC-U union connectors DN/OD 110 (incl. drilling)	-	-	-	-	982
Fixing-system EP, empty pipe in the channel bottom, (2 pieces per metre)	-	-	-	0,03	703
steel bars for fixing system EP (2 pieces per metre)	-	-	-	0,01	704

FASERFIX®
SUPER

FASERFIX®
KS

RECYFIX®
PLUS X

RECYFIX®
INC

RECYFIX®
MONOTEC

RECYFIX®
HICAP®F

FASERFIX®
POINT KS

FASERFIX®
TRAFFIC GUGBLOC
RECYFIX®
TRAFFIC GUGBLOC

SERVICE
CHANNEL

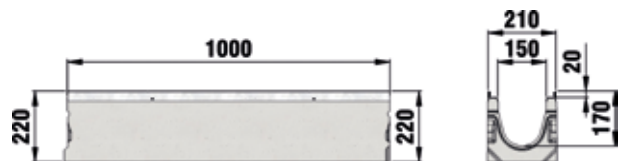
KERBFIX 305

FASERFIX®KS 150

Channels

FASERFIX®KS 150 up to class F 900

Type 01, 1,0 m



	Length mm	Width mm	Height mm	Internal channel cross-sect. cm ²	Weight kg	Item-No. galvanised	Item-No. stainless steel
Type 01, 1,0 m	1000	210	220	185	54,47	11000	11500
NEW Type 01L, with hole, DN/OD 160, 1,0 m*	1000	210	220	185	54,00	11035	11535
NEW Type 0105, 0,5 m	500	210	220	185	27,00	11049	11549
Type 010, 1,0 m	1000	210	265	245	60,17	11042	11542
NEW Type 01005, 0,5 m	500	210	265	245	30,09	11050	11550
NEW Type 010L with hole, DN/OD 160, 1,0 m*	1000	210	265	245	61,00	11036	11536
NEW Type 015, 1,0 m	1000	210	290	282	66,00	11043	11543
NEW Type 01505, 0,5 m	500	210	290	282	33,00	11024	11524
Type 020, 1,0 m	1000	210	315	312	69,55	11044	11544
NEW Type 02005, 0,5 m	500	210	315	312	34,80	11026	11526
NEW Type 020L with opening, DN/OD 160, 1,0 m*	1000	210	315	312	68,00	11037	11537
NEW Type 110, 1,0 m**	1000	210	110	74	28,27	2121	2521
NEW Type 150, 1,0 m**	1000	210	150	134	33,58	2122	2522
NEW Type 200, 1,0 m**	1000	210	200	208	40,02	2123	2523

The quality of stainless steel material corresponds to CNS 1.4301.

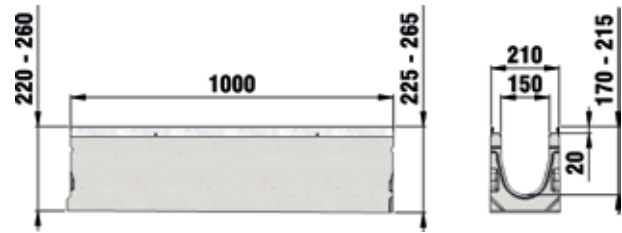
* Position of the opening to the bottom of the channel. 130 mm from the centre of the hole (DN/OD 160) to the end of the channel.

** Suitable for the use in parking areas.

FASERFIX®KS 150

FASERFIX®KS 150 with built-in fall 0.5 %, up to load class F 900

Type 1, 1,0 m



	Length mm	Width mm	Height mm	Internal channel cross-sect. cm ²	Weight kg	Item-No. galvanised	Item-No. stainless steel
Type 1, 1,0 m	1000	210	220 - 225	186	54,59	11001	11501
Type 2, 1,0 m	1000	210	225 - 230	196	55,00	11002	11502
Type 3, 1,0 m	1000	210	230 - 235	203	55,86	11003	11503
Type 4, 1,0 m	1000	210	235 - 240	211	56,69	11004	11504
Type 5, 1,0 m	1000	210	240 - 245	218	57,15	11005	11505
Type 6, 1,0 m	1000	210	245 - 250	226	58,00	11006	11506
Type 7, 1,0 m	1000	210	250 - 255	233	58,39	11007	11507
Type 8, 1,0 m	1000	210	255 - 260	241	59,00	11008	11508
Type 9, 1,0 m	1000	210	260 - 265	248	59,76	11009	11509

The quality of stainless steel material corresponds to CNS 1.4301.

FASERFIX®
SUPER

FASERFIX®
KS

RECYFIX®
PLUS X

RECYFIX®
INC

RECYFIX®
MONOTEC

RECYFIX®
HICAP®F

FASERFIX®
POINT KS

FASERFIX®
TRAFFIC GUGIBLOC
RECYFIX®
TRAFFIC GUGIBLOC

SERVICE
CHANNEL

KERBFIX 305

FASERFIX®KS 150

Gratings

FASERFIX®KS 150, class B 125



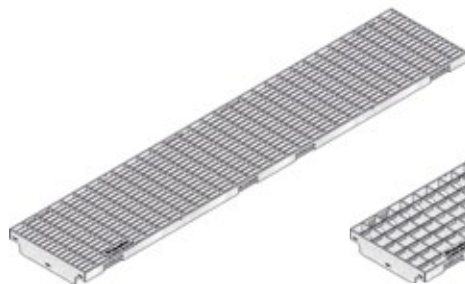
FIBRETEC design slotted grating
SW 9 mm, in the colour black, 0,5 m

	Length mm	Width mm	Height mm	Intake cross-sect. cm ² /m	Weight kg	Item No.
FIBRETEC design slotted grating SW 9 mm, in the colour black, 0,5 m	500	199	20	500	2,00	11098

FASERFIX®KS 150, class C 250



Ductile iron grating,
SW 20 mm, black, 0,5 m



Mesh grating
MW 30/10 mm, 1,0 m



Mesh grating
MW 30/30 mm, galvanised,
0,5 m

	Length mm	Width mm	Height mm	Intake cross-sect. cm ² /m	Weight kg	Item-No. galvanised	Item-No. stainless steel
Ductile iron grating, SW 20 mm, black, 0,5 m	500	199	20	631	4,53	11064	-
Ductile iron grating, SW 20 mm, black, KTL-coated, locked, 0,5 m	500	199	20	631	5,30	11264	-
Ductile iron grating SW 132/20 mm, galvanised, 0,5 m	500	199	20	631	4,53	11364	-
Mesh grating MW 30/10 mm, 1,0 m	1000	199	20	1105	7,20	11075	11575
Mesh grating MW 30/10 mm, 0,5 m	500	199	20	1105	3,70	11076	11576
Mesh grating MW 30/30 mm, galvanised, 1,0 m	1000	199	20	1240	5,90	11073	-
Mesh grating MW 30/30 mm, galvanised, 0,5 m	500	199	20	1240	3,40	11074	-
FIBRETEC design slotted grating SW 9 mm, in the colour black, 0,5 m	500	199	20	500	2,02	11099	-

The quality of stainless steel material corresponds to CNS 1.4301.

FASERFIX®KS 150

FASERFIX®KS 150, class D 400*



Ductile iron grating
SW 18 mm, black, 0,5 m



Longitudinal ductile iron grating
SW 9 mm, black, KTL-coated,
locked, 0,5 m

	Length mm	Width mm	Height mm	Intake cross-sect. cm ² /m	Weight kg	Item No.
Ductile iron grating SW 18 mm, black, 0,5 m	500	199	20	553	5,30	11463
Ductile iron grating SW 18 mm, black, KTL-coated, locked, 0,5 m	500	199	20	553	5,30	11563
Longitudinal ductile iron grating SW 9 mm, black, KTL-coated, locked, 0,5 m	500	199	20	740	6,93	11269
Longitudinal ductile iron grating SW 9 mm, galvanised, 0,5 m	500	199	20	740	6,93	11369

* Not for use across the carriageway of highways or motorways in moving traffic.

FASERFIX®KS 150, class E 600



Ductile iron grating,
SW 9 mm, black, 0,5 m



GUGI-Ductile iron mesh grating,
MW 15/25 mm, black, 0,5 m



Mesh grating
MW 11/30 mm, 0,5 m

	Length mm	Width mm	Height mm	Intake cross-sect. cm ² /m	Weight kg	Item-No. galvanised	Item-No. stainless steel
Ductile iron grating, SW 9 mm, black, 0,5 m	500	199	20	524	6,67	11066	-
Ductile iron grating, SW 9 mm, black, KTL-coated, locked, 0,5 m	500	199	20	524	6,70	11266	-
GUGI-Ductile iron mesh grating, MW 15/25 mm, black, 0,5 m	500	199	20	716	7,41	11068	-
GUGI-Ductile iron mesh grating, MW 15/25 mm, black, locked, KTL-coated, 0,5 m	500	199	20	716	7,80	11268	-
Mesh grating MW 11/30 mm, 1,0 m	1000	199	20	981	18,80	11071	11571
Mesh grating MW 11/30 mm, 0,5 m	500	199	20	981	9,70	11072	-

The quality of stainless steel material corresponds to CNS 1.4301.
Solid ductile iron covers (closed) can be found in the range SERVICE CHANNELS

FASERFIX®KS 150

Gratings

FASERFIX®KS 150, class F 900



Ductile iron grating,
SW 20 mm, black, 0,5 m



Ductile iron grating,
SW 20 mm, black, KTL-coated,
locked, 0,5 m

	Length mm	Width mm	Height mm	Intake cross-sect. cm ² /m	Weight kg	Item No.
Ductile iron grating, SW 20 mm, black, 0,5 m	500	199	20	626	7,80	11061
Ductile iron grating, SW 20 mm, black, KTL-coated, locked, 0,5 m	500	199	20	626	7,80	11261

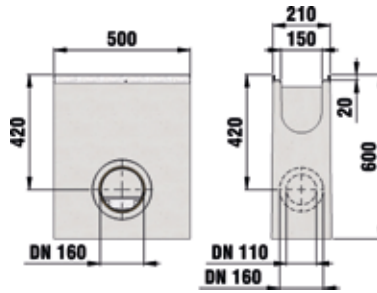
FASERFIX®KS 150

Accessories

Trash boxes



Trash box with galvanised bucket



	Length mm	Width mm	Height mm	Weight kg	Item-No. galvanised	Item-No. stainless steel
Trash box with galvanised bucket	500	210	600	65,32	11052	11552

The quality of stainless steel material corresponds to CNS 1.4301.

End caps



End cap closed, type 010



End cap with horizontal PVC-U pipe outlet DN/OD 160, type 020

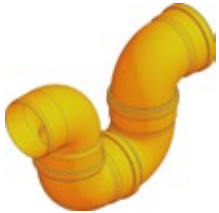
	Length mm	Width mm	Height mm	Weight kg	Item-No. galvanised	Item-No. stainless steel
End cap closed, type 01	-	210	220	0,67	11081	11581
End cap closed, type 010	-	210	265	0,83	11082	11582
End cap closed, type 020	-	210	315	0,92	11083	11583
End cap closed, type 110	-	210	110	0,36	2181	2681
End cap closed, type 150	-	210	150	0,48	2182	-
End cap closed, type 200	-	210	200	0,60	2183	2683
End cap with horizontal PVC-U pipe outlet DN/OD 160, type 01 - 010	-	210	265	0,97	11087	11587
End cap with horizontal PVC-U pipe outlet DN/OD 160, type 020	-	210	315	1,14	11088	11588

The quality of stainless steel material corresponds to CNS 1.4301.

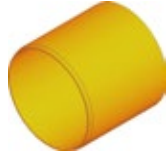
FASERFIX®KS 150

Accessories

Further accessories



Foul air trap
DN/OD 160



PVC-U pipe connection element
DN/OD 160



Mud bucket for outlet
DN/OD 160

	Length mm	Width mm	Height mm	Weight kg	Item No.
Foul air trap DN/OD 160	584	160	439	2,00	960
PVC-U pipe connection element DN/OD 160	-	-	-	0,50	906
Mud bucket for outlet DN/OD 160	-	-	180	0,82	2191
Locking handle for all ductile iron gratings	162	27	-	0,10	98260
Universal sealant/adhesive Siga-Meltell® 320 black**	-	-	-	0,97	19051
Tubular pistol for universal sealant/adhesive Siga-Meltell® 320 black**	-	-	-	1,30	6891
Installation aid NW 150 (exclusively for laying channels! For laying 2 pieces are necessary) - due to security reasons no return can be made	-	-	-	2,09	136018

** Consumption for channel type O20: approx. 94 ml per joint.

FASERFIX®KS 150

Factory-made services



Cutting to length of NW 150



Cutting for gradient for all nominal widths



Fixing-system EP, empty pipe in the channel bottom, (2 pieces per metre)

	Length mm	Width mm	Height mm	Weight kg	Item No.
Cutting to length of NW 150	-	-	-	-	991
Mitre cuts NW 150 (price per cut, two cuts necessary)	-	-	-	-	996
Cutting for gradient for all nominal widths	-	-	-	-	890
Drilling of connecting holes DN/OD 160	-	-	-	-	973
Factory-made insertion of PVC-U union connectors DN/OD 160 (incl. drilling)	-	-	-	-	983
Fixing-system EP, empty pipe in the channel bottom, (2 pieces per metre)	-	-	-	0,03	703
steel bars for fixing system EP (2 pieces per metre)	-	-	-	0,01	704

FASERFIX®
SUPER

FASERFIX®
KS

RECYFIX®
PLUS X

RECYFIX®
INC

RECYFIX®
MONOTEC

RECYFIX®
HICAP®F

FASERFIX®
POINT KS

FASERFIX®
TRAFFIC GUGIBLOC
RECYFIX®
TRAFFIC GUGIBLOC

SERVICE
CHANNEL

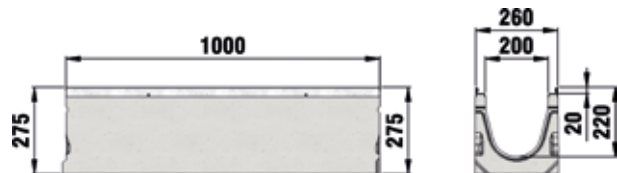
KERBFIX 305

FASERFIX®KS 200

Channels

FASERFIX®KS 200 up to load class F 900

Type 01, 1,0 m



	Length mm	Width mm	Height mm	Internal channel cross-sect. cm ²	Weight kg	Item-No. galvanised	Item-No. stainless steel
Type 01, 1,0 m	1000	260	275	319	80,00	12000	12500
Type 0105, 0,5 m	500	260	275	319	39,00	12049	12549
NEW Type 01L with hole, DN/OD 160, 1,0 m*	1000	260	275	319	75,50	12035	12535
NEW Type 010, 1,0 m	1000	260	320	409	84,92	12042	12542
NEW Type 01005, 0,5 m	500	260	320	409	42,50	12050	12550
NEW Type 010L with hole, DN/OD 160, 1,0 m*	1000	260	320	409	88,00	12036	12536
NEW Type 015, 1,0 m	1000	260	345	462	89,00	12043	12543
NEW Type 01505, 0,5 m	500	260	345	462	44,50	12024	12524
Type 020, 1,0 m	1000	260	370	509	94,53	12044	12544
NEW Type 02005, 0,5 m	500	260	370	509	47,30	12026	12526
NEW Type 020L with hole, DN/OD 160, 1,0 m*	1000	260	370	509	95,00	12037	12537
NEW Type 110, 1,0 m**	1000	260	110	89	32,53	3121	3521
NEW Type 150, 1,0 m**	1000	260	150	148	38,48	3122	3522
NEW Type 200, 1,0 m**	1000	260	200	246	45,50	3123	3523

The quality of stainless steel material corresponds to CNS 1.4301.

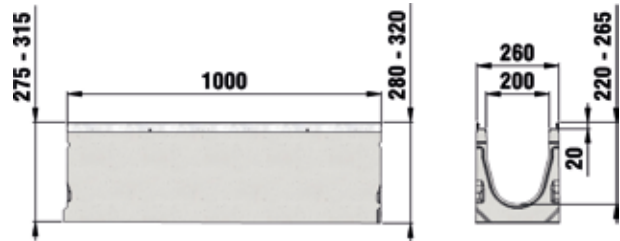
* Position of the opening to the bottom of the channel. 130 mm from the centre of the hole (DN/OD 160) to the end of the channel.

** Suitable for the use in parking areas.

FASERFIX®KS 200

FASERFIX®KS 200 with built-in fall 0.5 %, up to load class F 900

Type 2, 1,0 m



	Length mm	Width mm	Height mm	Internal channel cross-sect. cm ²	Weight kg	Item-No. galvanised	Item-No. stainless steel
Type 1, 1,0 m	1000	260	275 - 280	324	79,00	12001	12501
Type 2, 1,0 m	1000	260	280 - 285	334	79,72	12002	12502
Type 3, 1,0 m	1000	260	285 - 290	344	80,51	12003	12503
Type 4, 1,0 m	1000	260	290 - 295	354	80,78	12004	12504
Type 5, 1,0 m	1000	260	295 - 300	364	81,94	12005	12505
Type 6, 1,0 m	1000	260	300 - 305	374	82,39	12006	12506
Type 7, 1,0 m	1000	260	305 - 310	384	82,50	12007	12507
Type 8, 1,0 m	1000	260	310 - 315	394	83,50	12008	12508
Type 9, 1,0 m	1000	260	315 - 320	404	86,00	12009	12509

The quality of stainless steel material corresponds to CNS 1.4301.

FASERFIX®KS 200

Gratings

FASERFIX®KS 200, class B 125



FIBRETEC design slotted grating
SW 9 mm, in the colour black, 0,5 m

	Length mm	Width mm	Height mm	Intake cross-sect. cm ² /m	Weight kg	Item No.
FIBRETEC design slotted grating SW 9 mm, in the colour black, 0,5 m	500	249	20	656	2,11	12098

FASERFIX®KS 200, class C 250



Ductile iron grating
SW 20 mm, black, 0,5 m



Ductile iron grating
SW 20 mm, black, KTL-coated,
locked, 0,5 m



Mesh grating
MW 30/10 mm, 1,0 m

	Length mm	Width mm	Height mm	Intake cross-sect. cm ² /m	Weight kg	Item-No. galvanised	Item-No. stainless steel
Ductile iron grating SW 20 mm, black, 0,5 m	500	249	20	824	5,64	12064	-
Ductile iron grating SW 20 mm, black, KTL-coated, locked, 0,5 m	500	249	20	824	5,80	12264	-
Mesh grating MW 30/10 mm, 1,0 m	1000	249	20	1500	10,80	12075	12575
Mesh grating MW 30/10 mm, 1,0 m	500	249	20	1500	5,50	12076	12576
Mesh grating MW 30/30 mm, 1,0 m	1000	249	20	1681	9,20	12073	12573
Mesh grating MW 30/30 mm, 0,5 m	500	249	20	1681	4,60	12074	12574

The quality of stainless steel material corresponds to CNS 1.4301.
Solid ductile iron covers (closed) can be found in the range SERVICE CHANNELS

FASERFIX®KS 200

FASERFIX®KS 200, class D 400*



G-TEC Ductile iron grating
SW 9 mm, black, KTL-coated,
locked, 0,5 m



Ductile iron longitudinal grating
SW 9 mm, black, KTL-coated,
locked, 0,5 m

	Length mm	Width mm	Height mm	Intake cross-sect. cm ² /m	Weight kg	Item No.
Ductile iron grating SW 18 mm, black, 0,5 m	500	249	20	724	6,83	12463
G-TEC Ductile iron grating SW 9 mm, black, KTL-coated, locked, 0,5 m	500	249	20	595	8,25	12266
Ductile iron grating SW 18 mm, black, KTL-coated, locked, 0,5 m	500	249	20	724	6,90	12763
Ductile iron design grating METROPOLIS, black, locked, KTL-coated, 0,5 m	500	249	20	279	10,70	12275
Ductile iron longitudinal grating SW 9 mm, black, KTL-coated, locked, 0,5 m	500	249	20	951	9,43	12269
Ductile iron longitudinal grating SW 9 mm, galvanised, 0,5 m	500	249	20	951	9,43	12369
G-TEC Ductile iron grating SW 2 x 85/9 mm, galvanised, 0,5 m	500	249	20	595	7,90	12366

* Not for use across the carriageway of highways or motorways in moving traffic.

FASERFIX®KS 200, class E 600



GUGI-Ductile mesh grating
MW 15/25 mm, black, 0,5 m



Mesh grating
MW 11/30 mm, 1,0 m

	Length mm	Width mm	Height mm	Intake cross-sect. cm ² /m	Weight kg	Item-No. galvanised	Item-No. stainless steel
GUGI-Ductile mesh grating MW 15/25 mm, black, 0,5 m	500	249	20	867	9,50	12068	-
GUGI-Ductile iron mesh grating, MW 15/25 mm, black, locked, KTL-coated, 0,5 m	500	249	20	867	9,70	12268	-
Mesh grating MW 11/30 mm, 1,0 m	1000	249	20	1309	28,40	12071	12571
Mesh grating MW 11/30 mm, 0,5 m	500	249	20	1309	14,60	12072	12572

The quality of stainless steel material corresponds to CNS 1.4301.
Solid ductile iron covers (closed) can be found in the range SERVICE CHANNELS

FASERFIX[®]KS 200

Gratings

FASERFIX[®]KS 200, class F 900



Ductile iron grating
SW 20 mm, black, 0,5 m



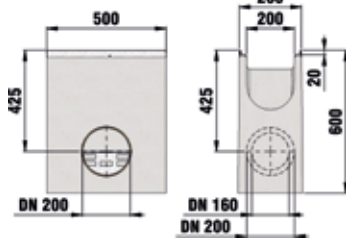
Ductile iron grating
SW 20 mm, black, KTL-coated,
locked, 0,5 m

	Length mm	Width mm	Height mm	Intake cross-sect. cm ² /m	Weight kg	Item No.
Ductile iron grating SW 20 mm, black, 0,5 m	500	249	20	823	10,35	12061
Ductile iron grating SW 20 mm, black, KTL-coated, locked, 0,5 m	500	249	20	823	10,35	12261

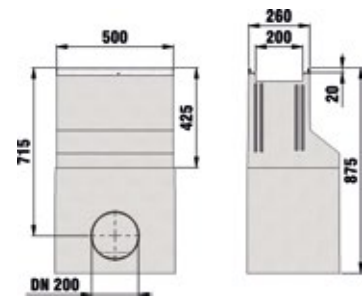
FASERFIX®KS 200

Accessories

Trash boxes



Trash box with galvanised bucket



Trash box, 2-pieces, with galvanised mud bucket

	Length mm	Width mm	Height mm	Weight kg	Item-No. galvanised	Item-No. stainless steel
Trash box with galvanised bucket	500	260	600	72,17	12052	12552
Trash box, 2-pieces, with galvanised mud bucket	500	260	875	177,00	12054	-

The quality of stainless steel material corresponds to CNS 1.4301.

End caps



End cap closed, FASERFIX KS type 01 / RECYFIX PLUS type 020m / RECYFIX STANDARD type 020



End cap closed, type 010



End cap closed, type 020



End cap with horizontal PVC-U pipe outlet DN/OD 160, galvanised, type 020

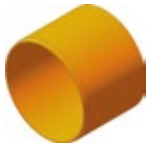
	Length mm	Width mm	Height mm	Weight kg	Item-No. galvanised	Item-No. stainless steel
End cap closed, FASERFIX KS type 01 / RECYFIX PLUS type 020 / RECYFIX STANDARD type 020	-	260	275	1,28	12081	12581
End cap closed, type 010	-	260	320	1,28	12082	12582
End cap closed, type 020	-	260	370	1,50	12083	12583
End cap, closed, type 110 F	-	260	110	0,43	3181	3681
End cap, closed, type 150 F	-	260	150	0,58	3182	3682
End cap, closed, type 200 F	-	260	200	0,78	3183	3683
End cap with horizontal PVC-U pipe outlet DN/OD 160, galvanised, type 01 - 010	-	260	320	1,49	12087	12587
End cap with horizontal PVC-U pipe outlet DN/OD 160, galvanised, type 020	-	260	370	1,66	12088	12588

The quality of stainless steel material corresponds to CNS 1.4301.

FASERFIX®KS 200

Accessories

Further accessories



PVC-Connection
DN/OD 200



Mud bucket for outlet
DN/OD 160

	Length mm	Width mm	Height mm	Weight kg	Item No.
PVC-Connection DN/OD 200	-	-	-	0,80	907
Mud bucket for outlet DN/OD 160	-	-	180	0,82	2191
Locking handle for FASERFIX SUPER KS 200	219	28	-	0,25	98221
Universal sealant/adhesive Siga-Meltell® 320 black**	-	-	-	0,97	19051
Tubular pistol for universal sealant/adhesive Siga-Meltell® 320 black**	-	-	-	1,30	6891
Installation aid NW 200 (exclusively for laying channels! For laying 2 pieces are necessary) - due to security reasons no return can be made	-	-	-	2,62	136202

**** Consumption for channel type O20: approx. 105 ml per joint.**

FASERFIX®KS 200

Factory-made services



Cutting to length of NW 200



Cutting for gradient for all nominal widths



Drilling of connecting holes DN/OD 200



Factory-made insertion of PVC-U union connectors DN/OD 200



Fixing-system EP, empty pipe in the channel bottom, (2 pieces per metre)

	Length mm	Width mm	Height mm	Weight kg	Item No.
Cutting to length of NW 200	-	-	-	-	992
Mitre cuts NW 200 (price per cut, two cuts necessary)	-	-	-	-	997
Cutting for gradient for all nominal widths	-	-	-	-	890
Drilling of connecting holes DN/OD 200	-	-	-	-	974
Factory-made insertion of PVC-U union connectors DN/OD 200	-	-	-	-	984
Fixing-system EP, empty pipe in the channel bottom, (2 pieces per metre)	-	-	-	0,03	703
steel bars for fixing system EP (2 pieces per metre)	-	-	-	0,01	704

FASERFIX®
SUPER

FASERFIX®
KS

RECYFIX®
PLUS X

RECYFIX®
INC

RECYFIX®
MONOTEC

RECYFIX®
HICAP F

FASERFIX®
POINT KS

FASERFIX®
TRAFFIC GUGIBLOC
RECYFIX®
TRAFFIC GUGIBLOC

SERVICE
CHANNEL

KERBFIX 305

FASERFIX®KS 300

Channels

FASERFIX®KS 300 up to load class E 600

Type 010, 1,0 m



	Length mm	Width mm	Height mm	Internal channel cross-sect. cm ²	Weight kg	Item No.
Type 010, 1,0 m	1000	360	340	634	117,21	14040

FASERFIX®KS 300

Gratings

FASERFIX®KS 300, class D 400*



Ductile iron grating
SW 18 mm, black, 0,5 m



Ductile iron grating
SW 18 mm, black,
KTL-coated, locked, 0,5 m



G-TEC Ductile iron grating
SW 2 x 141/9 mm, black,
KTL-coated, locked, 0,5 m

	Length mm	Width mm	Height mm	Intake cross-sect. cm ² /m	Weight kg	Item No.
Ductile iron grating SW 18 mm, black, 0,5 m	500	349	20	1317	12,92	14463
Ductile iron grating SW 18 mm, black, KTL-coated, locked, 0,5 m	500	349	20	1317	12,50	14763
G-TEC Ductile iron grating SW 2 x 141/9 mm, black, KTL-coated, locked, 0,5 m	500	349	20	960	14,88	14266
G-TEC Ductile iron grating SW 2 x 141/9 mm, galvanised, 0,5 m	500	349	20	960	15,11	14366

* Not for use across the carriageway of highways or motorways in moving traffic.

FASERFIX®KS 300, class E 600



GUGI-Ductile iron mesh grating,
MW 15/25 mm, black, 0,5 m



GUGI-Ductile iron mesh grating,
MW 15/25 mm, black, locked,
KTL-coated, 0,5 m

	Length mm	Width mm	Height mm	Intake cross-sect. cm ² /m	Weight kg	Item No.
GUGI-Ductile iron mesh grating, MW 15/25 mm, black, 0,5 m	500	349	20	1196	18,12	14068
GUGI-Ductile iron mesh grating, MW 15/25 mm, black, locked, KTL-coated, 0,5 m	500	349	20	1196	18,15	14268

FASERFIX®
SUPER

FASERFIX®
KS

RECYFIX®
PLUS X

RECYFIX®
INC

RECYFIX®
MONOTEC

RECYFIX®
HICAP®F

FASERFIX®
POINT KS

FASERFIX®
TRAFFIC GUGIBLOC
RECYFIX®
TRAFFIC GUGIBLOC

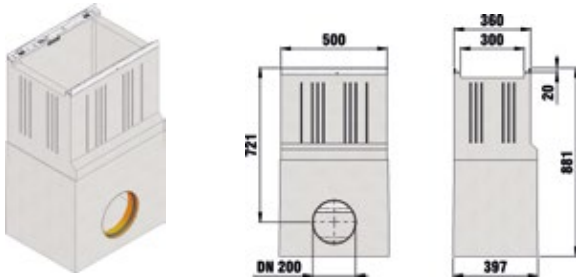
SERVICE
CHANNEL

KERBFIX 305

FASERFIX®KS 300

Accessories

Trash boxes



Trash box 2-parts
with galvanised mud bucket

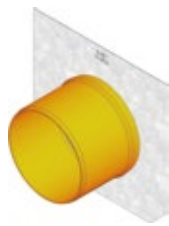
	Length mm	Width mm	Height mm	Weight kg	Item-No. galvanised	Item-No. stainless steel
Trash box 2-parts with galvanised mud bucket	500	360	881	178,50	14054	14554

The quality of stainless steel material corresponds to CNS 1.4301.

End caps



End cap closed,
type 340



End cap with PVC-U pipe outlet
DN/OD 200

	Length mm	Width mm	Height mm	Weight kg	Item No.
End cap closed, type 340	-	360	340	1,75	14085
End cap with PVC-U pipe outlet DN/OD 200	-	360	340	2,20	14087

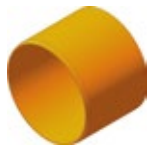
The quality of stainless steel material corresponds to CNS 1.4301.

FASERFIX®KS 300

Further accessories



Extension part



PVC-Connection
DN/OD 200

	Length mm	Width mm	Height mm	Weight kg	Item No.
Extension part	510	390	400	81,66	4054
PVC-Connection DN/OD 200	-	-	-	0,80	907
Clip-locking handle for SUPER KS 300, galvanised, complete with bolts	-	-	-	0,28	98270
Universal sealant/adhesive Siga-Meltell® 320 black**	-	-	-	0,97	19051
Tubular pistol for universal sealant/adhesive Siga-Meltell® 320 black**	-	-	-	1,30	6891
Installation aid NW 300 (exclusively for laying channels! For laying 2 pieces are necessary) - due to security reasons no return can be made	-	-	-	3,66	136242

** Consumption for channel type O10: approx. 150 ml per joint.

Factory-made services



Cutting to length
of NW 300



Mitre cuts NW 300
(price per cut, two cuts
necessary)



Cutting for gradient
for all nominal widths



Drilling of connecting holes
DN/OD 200



Factory-made insertion
of PVC-U union connectors
DN/OD 200



Fixing-system EP, empty pipe
in the channel bottom,
(2 pieces per metre)

	Length mm	Width mm	Height mm	Weight kg	Item No.
Cutting to length of NW 300	-	-	-	-	993
Mitre cuts NW 300 (price per cut, two cuts necessary)	-	-	-	-	998
Cutting for gradient for all nominal widths	-	-	-	-	890
Drilling of connecting holes DN/OD 200	-	-	-	-	974
Factory-made insertion of PVC-U union connectors DN/OD 200	-	-	-	-	984
Drilling of connection holes DN/OD 315	-	-	-	-	978
Factory-made insertion of PVC-U union connectors DN/OD 315 (incl. drilling)	-	-	-	-	979
Fixing-system EP, empty pipe in the channel bottom, (2 pieces per metre)	-	-	-	0,03	703
steel bars for fixing system EP (2 pieces per metre)	-	-	-	0,01	704

RECYFIX PLUS X

Drainage channels with a protective edge for areas with higher traffic flows.





**MAZDA Car Dealer
in Hobart/Tasmania,
Australia**

RECYFIX PLUS X

Drainage channels with a protective edge for areas with higher traffic flows.

1 Requirements

Drainage channels in areas with high traffic must

- drain quickly and effectively
- guarantee a simple and fast installation
- correspond to DIN EN 1433

2 Application areas

- patio areas
- public parks
- pedestrian zones
- car parks
- industrial estates, trading estates

3 Solutions

Therefore RECYFIX PLUS X channels offer solutions in terms of robustness and functionality.

- channel body made of PP - light but unbreakable
- gratings up to class D 400
- nominal widths from 100 mm up to 300 mm
- corrosion-resistant galvanised steel angle housing
- highly resistant against frost and salt



Delta business centre, Pompey, France



Residential area, Brisbane, Australia



Viktoria street in Bochum, Germany



Sainsbury's Store in Alnwick, Northumberland, England



Health Centre in Bruny Island, Tasmania, Australia

FASERFIX® SUPER
FASERFIX® KS
RECYFIX® PLUS X
RECYFIX® INC
RECYFIX® MONOTEC
RECYFIX® HICAP P/F
FASERFIX® POINT KS
FASERFIX® TRAFFIC GUGIBLOC RECYFIX® TRAFFIC GUGIBLOC
SERVICE CHANNEL
KERBFIX 305

YOUR BENEFITS WITH RECYFIX PLUS X

FRAME SYSTEM

- integrated galvanised or stainless steel frames
- protection against longitudinal and lateral movements of gratings

= **PERFORMANCE ASSURED**



PRE-ASSEMBLED READY FOR INSTALLATION

- channel and grating = one part
- no spare parts
- easy handling on stock and construction site
- cost-efficient transport

= **BETTER GROSS MARGIN**



HIGH RESISTANCE

- high resistance against frost, de-icing salt and UV rays
- withstands high temperature differences
- for climate ranges from - 50 °C to + 80 °C and more

= **PERFORMANCE ASSURED**



LOW WEIGHT ENSURES EASY HANDLING ON SITE

- much lighter than channels made of polymer / resin concrete
- easy transport and installation

= **COST SAVINGS**



HIGH-GRADE MATERIAL

- **RECYFIX** - stable and almost unbreakable
- elastic and especially robust material
- withstands high loads and temperature differences in daily use
- 100 % recycled composite body (and also 100 % recyclable) → 100 % environmentally friendly
- 0 % water absorption
- smooth inner surface for superior flow characteristics
- PP channel body can be cut, drilled and worked easily on site

= **PERFORMANCE ASSURED**



HIGH STABILITY

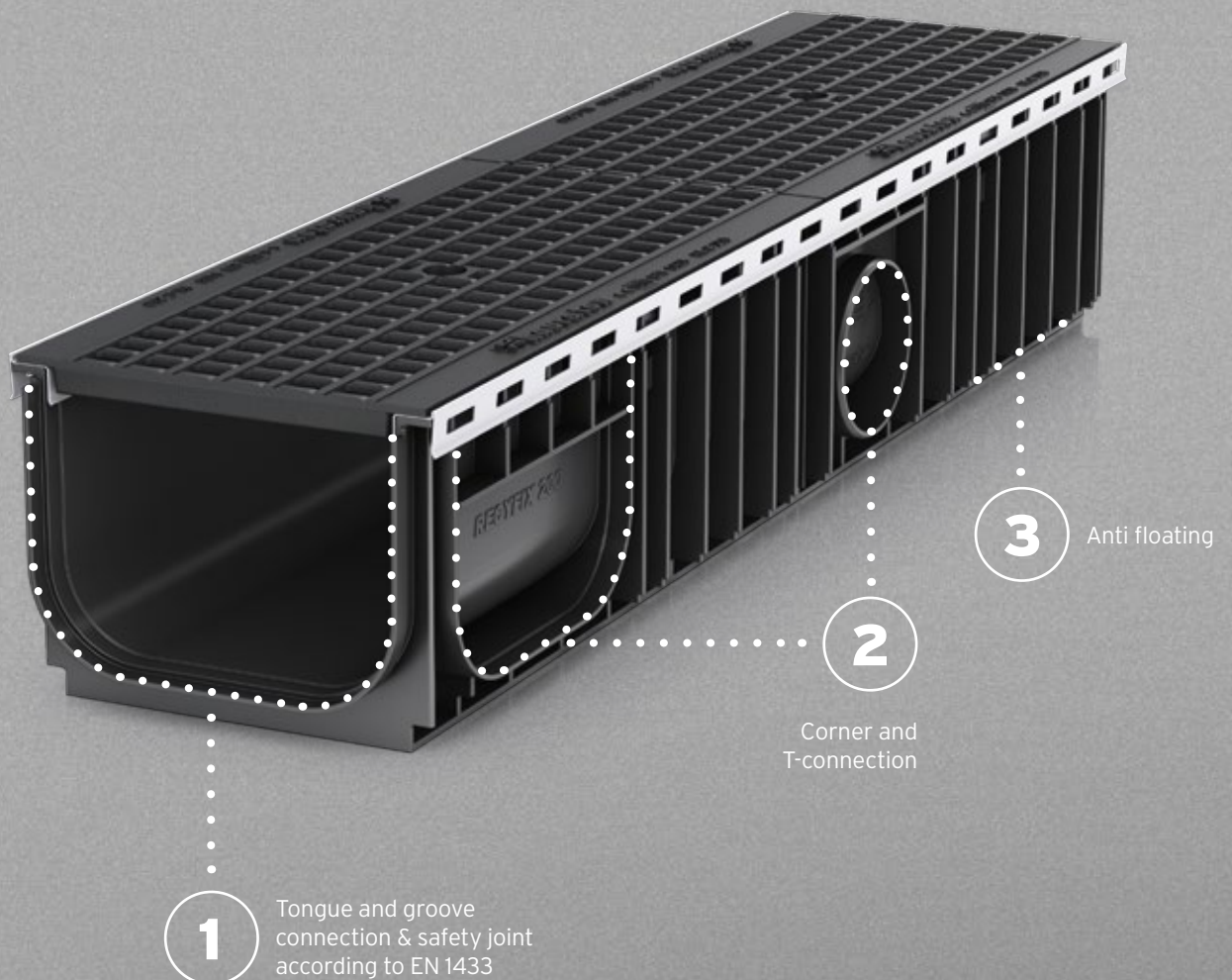
- proven structural design for superior resistance to dynamic forces and D 400 kN loads
- various ductile iron gratings in loading classes D 400 according to DIN EN 1433
- stable and durable drainage channel with protective edge

= **QUALITY- & PERFORMANCE ASSURED**



IDEAL FOR ...

applications with higher traffic up to class 400, such as car parks, industrial estates and sewage plants.



RECYFIX PLUS X

Drainage channels with a protective edge for areas with higher traffic flows.

RECYFIX PLUS X channels are certified according to EN1433 and can be installed in areas in which the following loading capacities can be expected:



**Category D 400,
Load CLASS 400 kn**

Grating options RECYFIX PLUS X channels

GUGI-Ductile iron mesh gratings*



Ductile iron gratings*



**Load class
D 400**

100, 150, 200

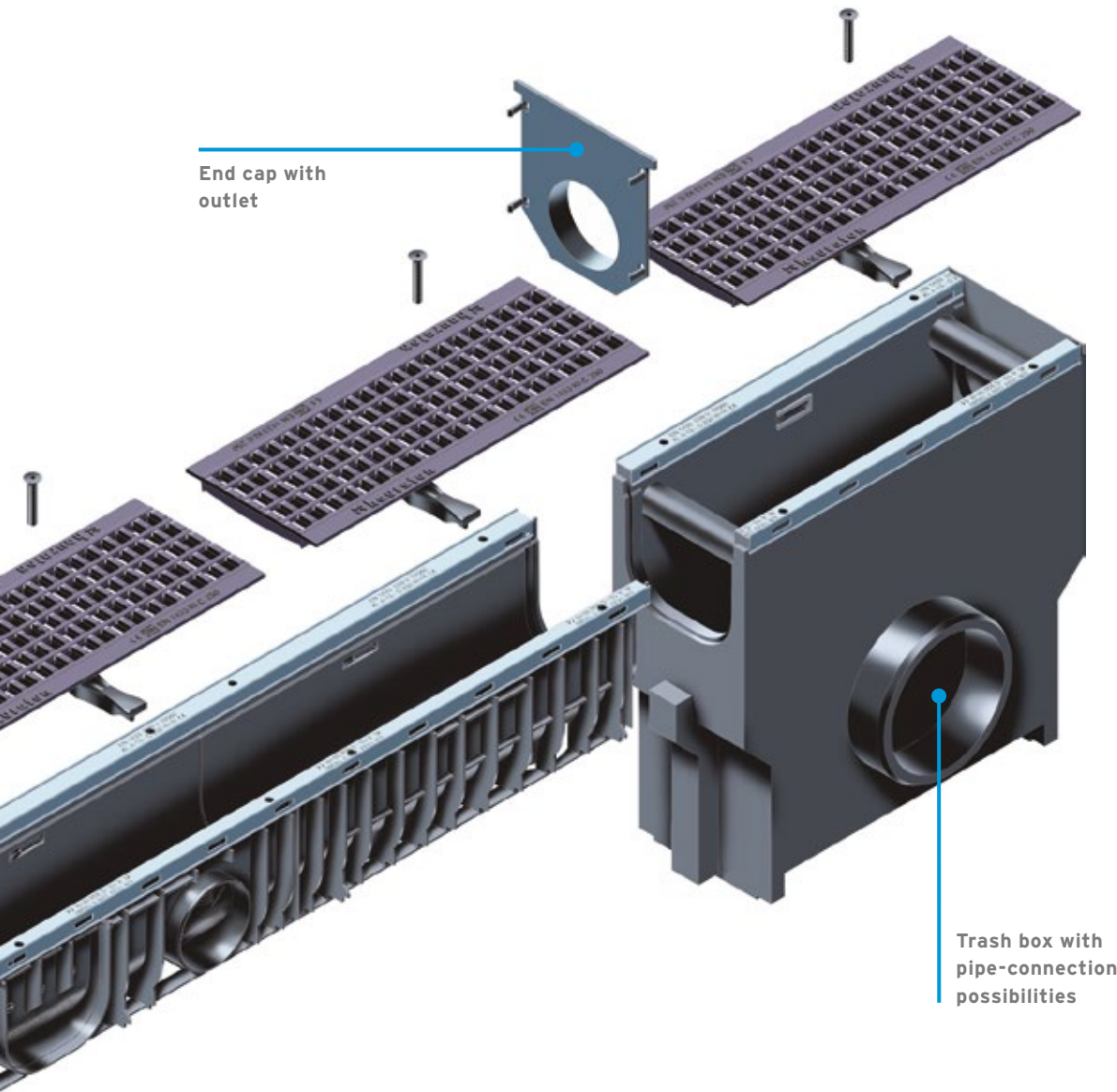
150, 300

* The measurements listed are internal widths.

Numerous grating options,
for example GUGI-Ductile iron
mesh gratings

End cap without
outlet

Channels made of PP with integrated
steel frame, according to EN 1433,
with groove and tongue connection
for exact installation



End cap with outlet

Trash box with pipe-connection possibilities

Widths and heights of **RECYFIX PLUS**:



Nominal sizes	100			150			200			300		
Type 60	147	60	40	-	-	-	-	-	-	-	-	-
Type 80	147	80	60	-	-	-	-	-	-	-	-	-
Type 100	-	-	-	202	100	80	247	100	80	-	-	-
Type 01	147	135	107	202	193	165	-	-	-	347	291	255
Type 010	147	186	157	-	-	-	247	186	157	-	-	-
Type 020	-	-	-	-	-	-	247	236	208	-	-	-

Width/Height/Inside height (in mm)

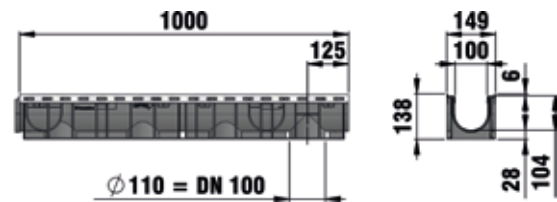
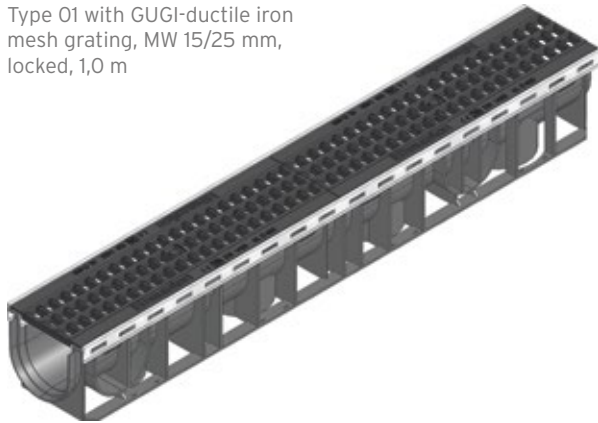
- FASERFIX® SUPER
- FASERFIX® KS
- RECYFIX® PLUS X
- RECYFIX® INC
- RECYFIX® MONOTEC
- RECYFIX® HICAP® F
- FASERFIX® POINT KS
- FASERFIX® TRAFFIC GUGBLOC
- RECYFIX® TRAFFIC GUGBLOC
- SERVICE CHANNEL
- KERBFIX 305

RECYFIX®PLUS X 100

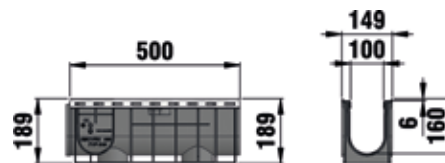
Combi article

RECYFIX®PLUS X 100, class D 400*

Type 01 with GUGI-ductile iron mesh grating, MW 15/25 mm, locked, 1,0 m



Type 01005 with GUGI-ductile iron mesh grating, MW 15/25 mm, locked, 0,5 m



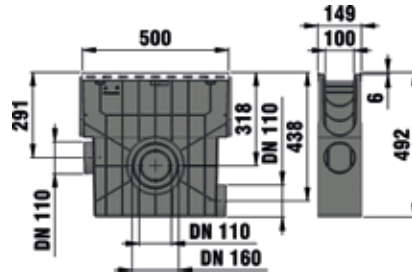
	Length mm	Width mm	Height mm	Internal channel cross-sect. cm ²	Intake cross-sect. cm ² /m	Weight kg	Item No.
Type 01 with GUGI-ductile iron mesh grating, MW 15/25 mm, locked, 1,0 m	1000	149	138	92	440	10,50	42070
Type 0105 with GUGI-ductile iron mesh grating, MW 15/25 mm, locked, 0,5 m	500	149	138	92	440	5,18	42077
Type 010 with GUGI-ductile iron mesh grating, MW 15/25 mm, locked, 1,0 m	1000	149	189	142	440	10,49	42075
Type 01005 with GUGI-ductile iron mesh grating, MW 15/25 mm, locked, 0,5 m	500	149	189	142	440	5,18	42078

* Not for use across the carriageway of highways or motorways in moving traffic.

RECYFIX® PLUS X 100

Accessories

Trash boxes



Trash box with GUGI-ductile iron mesh grating, locked, 0,5 m

	Length mm	Width mm	Height mm	Weight kg	Item No.
Trash box with GUGI-ductile iron mesh grating, locked, 0,5 m	500	149	492	8,21	42079

FASERFIX®
SUPER

FASERFIX®
KS

RECYFIX®
PLUS X

RECYFIX®
INC

RECYFIX®
MONOTEC

RECYFIX®
HICAP®F

FASERFIX®
POINT KS

FASERFIX®
TRAFFIC GUGIBLOC
RECYFIX®
TRAFFIC GUGIBLOC

SERVICE
CHANNEL

KERBFIX 305

RECYFIX® PLUS X 100

Accessories

End caps



End cap,
closed for type 01



End cap
with outlet DN/OD 110
for type 01



End cap combined
made of PP with outlet
DN/OD 110, type 010



Mud bucket vertical made
of modified composite
for outlet DN/OD 110, black

	Length mm	Width mm	Height mm	Weight kg	Item No.
End cap, closed for type 01	-	150	108	0,03	48081
End cap with outlet DN/OD 110 for type 01	-	148	185	0,08	48091
End cap closed for type 010	-	150	160	0,04	40282
End cap combined made of PP with outlet DN/OD 110, type 010	-	148	185	0,10	40283
Mud bucket vertical made of modified composite for outlet DN/OD 110, black	100	100	85	0,04	40293

RECYFIX® PLUS X 100

Further accessories



Foul air trap,
vertical, DN/OD 110



Foul air trap
DN/OD 110, outside

	Length mm	Width mm	Height mm	Weight kg	Item No.
Foul air trap set, vertical DN/OD 110 for RECYFIX 100	-	-	203	0,44	40294
Foul air trap DN/OD 110, inside	-	-	-	0,20	40290
Foul air trap, vertical, DN/OD 110	-	187	181	0,56	40295
Foul air trap DN/OD 110, outside	-	-	-	0,37	961
Step Fall Adapter for step slope, from type 01 to type 010	174	98	86	0,21	41290
Universal sealant/adhesive Siga-Mettell® 320 black**	-	-	-	0,97	19051
Tubular pistol for universal sealant/adhesive Siga-Mettell® 320 black**	-	-	-	1,30	6891
Holesaw, Ø 102 mm, with tool holder for a driller	-	-	-	0,60	980

FASERFIX®
SUPER

FASERFIX®
KS

RECYFIX®
PLUS X

RECYFIX®
INC

RECYFIX®
MONOTEC

RECYFIX®
HICAP®F

FASERFIX®
POINT KS

FASERFIX®
TRAFFIC GUGIBLOC
RECYFIX®
TRAFFIC GUGIBLOC

SERVICE
CHANNEL

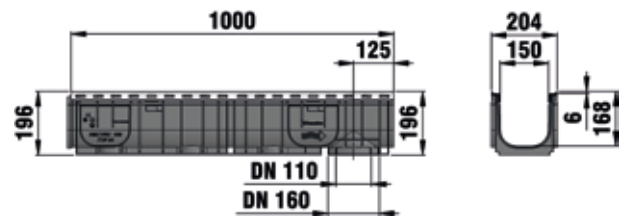
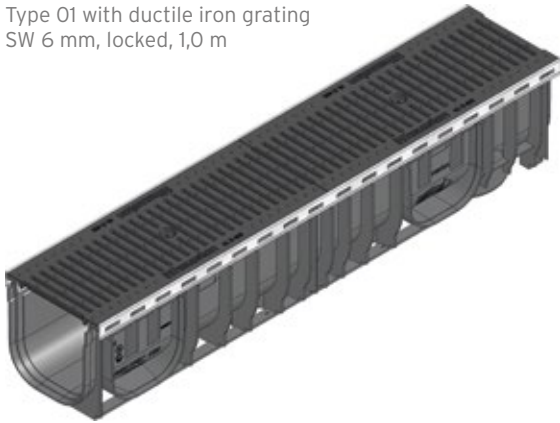
KERBFIX 305

RECYFIX®PLUS X 150

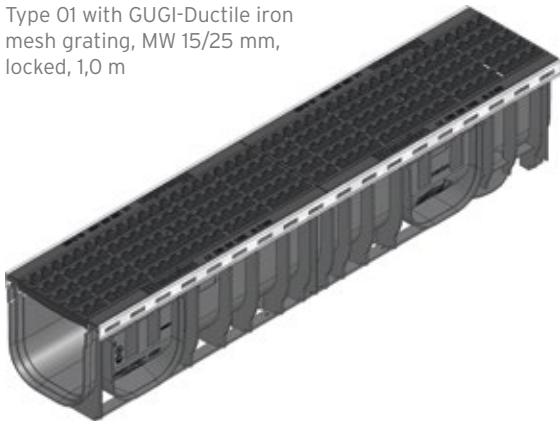
Combi article

RECYFIX®PLUS X 150, class D 400*

Type 01 with ductile iron grating
SW 6 mm, locked, 1,0 m



Type 01 with GUGI-Ductile iron
mesh grating, MW 15/25 mm,
locked, 1,0 m



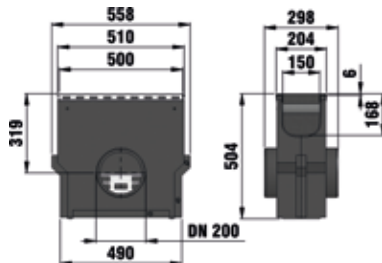
	Length mm	Width mm	Height mm	Internal channel cross-sect. cm ²	Intake cross-sect. cm ² /m	Weight kg	Item No.
Type 01 with ductile iron grating SW 6 mm, locked, 1,0 m	1000	204	196	225	400	15,34	42178
Type 01 with GUGI-Ductile iron mesh grating, MW 15/25 mm, locked, 1,0 m	1000	204	196	225	699	15,90	42170

* Not for use across the carriageway of highways or motorways in moving traffic.

RECYFIX® PLUS X 150

Accessories

Trash boxes



Trash box with GUGI-Ductile iron mesh grating, MW 15/25 mm, locked, 0,5 m

Trash box with ductile iron grating SW 6 mm, black, class D 400, locked, 0,5 m

	Length mm	Width mm	Height mm	Weight kg	Item No.
Trash box with GUGI-Ductile iron mesh grating, MW 15/25 mm, locked, 0,5 m	500	204	504	21,58	42179
Trash box with ductile iron grating SW 6 mm, black, class D 400, locked, 0,5 m	500	204	504	20,78	42159

End caps



End cap KTL-coated for RECYFIX 150 trash box

	Length mm	Width mm	Height mm	Weight kg	Item No.
End cap KTL-coated for RECYFIX 150 trash box	-	203	168	0,33	40159
End cap combined made of PP with outlet DN/OD 75/110, type 01	-	210	203	0,13	40191

Further accessories



Foul air trap
DN/OD 110, outside



Foul air trap
DN/OD 160



Foul air trap,
vertical, DN/OD 110

	Length mm	Width mm	Height mm	Weight kg	Item No.
Foul air trap DN/OD 110, outside	-	-	-	0,37	961
Foul air trap DN/OD 160	584	160	439	2,00	960
Foul air trap DN/OD 110, inside	-	-	-	0,20	40290
Foul air trap, vertical, DN/OD 110	-	187	181	0,56	40295
Universal sealant/adhesive Siga-Meltell® 320 black**	-	-	-	0,97	19051
Tubular pistol for universal sealant/adhesive Siga-Meltell® 320 black**	-	-	-	1,30	6891
Holesaw, Ø 102 mm, with tool holder for a drill	-	-	-	0,60	980

FASERFIX®
SUPER

FASERFIX®
KS

RECYFIX®
PLUS X

RECYFIX®
INC

RECYFIX®
MONOTEC

RECYFIX®
HICAP®F

FASERFIX®
POINT KS

FASERFIX®
TRAFFIC GUGIBLOC
RECYFIX®
TRAFFIC GUGIBLOC

SERVICE
CHANNEL

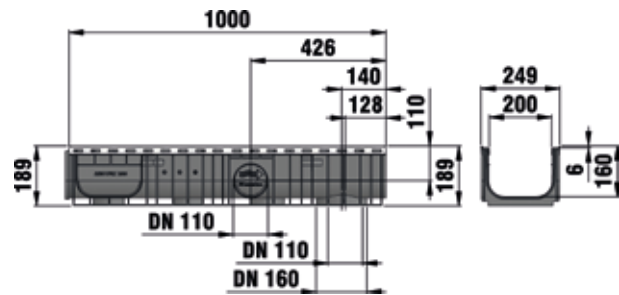
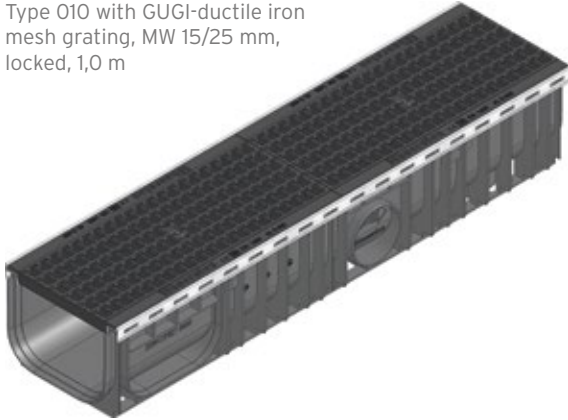
KERBFIX 305

RECYFIX®PLUS X 200

Combi article

RECYFIX®PLUS X 200, class D 400*

Type 010 with GUGI-ductile iron mesh grating, MW 15/25 mm, locked, 1,0 m



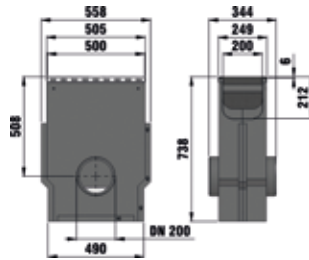
	Length mm	Width mm	Height mm	Internal channel cross-sect. cm ²	Intake cross-sect. cm ² /m	Weight kg	Item No.
Type 010 with GUGI-ductile iron mesh grating, MW 15/25 mm, locked, 1,0 m	1000	249	189	294	873	20,90	42275
Type 020 with GUGI-ductile iron mesh grating, MW 15/25 mm, locked, 1,0 m	1000	249	239	394	873	21,00	42280

* Not for use across the carriageway of highways or motorways in moving traffic.

RECYFIX® PLUS X 200

Accessories

Trash boxes



Trash box with GUGI-ductile iron mesh grating, locked, 0,5 m

	Length mm	Width mm	Height mm	Weight kg	Item No.
Trash box with GUGI-ductile iron mesh grating, locked, 0,5 m	500	249	738	33,70	42253

End caps



End cap galvanised for RECYFIX 200 trash box



End cap combined made of PP closed / with outlet DN/OD 110, Type 010

	Length mm	Width mm	Height mm	Weight kg	Item No.
End cap galvanised for RECYFIX 200 trash box	-	248	211	0,56	40659
End cap combined made of PP closed / with outlet DN/OD 110, Type 010	-	254	199	0,18	40792

Further accessories



Foul air trap, vertical, DN/OD 110

	Length mm	Width mm	Height mm	Weight kg	Item No.
Foul air trap, vertical, DN/OD 110	-	187	181	0,56	40295
Step Fall Adapter for step slope, from type 010 to type 020	194	208	89	0,39	49590
Universal sealant/adhesive Siga-Meltell® 320 black**	-	-	-	0,97	19051
Tubular pistol for universal sealant/adhesive Siga-Meltell® 320 black**	-	-	-	1,30	6891
Holesaw, Ø 102 mm, with tool holder for a drill	-	-	-	0,60	980

FASERFIX®
SUPER

FASERFIX®
KS

RECYFIX®
PLUS X

RECYFIX®
INC

RECYFIX®
MONOTEC

RECYFIX®
HICAP®F

FASERFIX®
POINT KS

FASERFIX®
TRAFFIC GUGIBLOC
RECYFIX®
TRAFFIC GUGIBLOC

SERVICE
CHANNEL

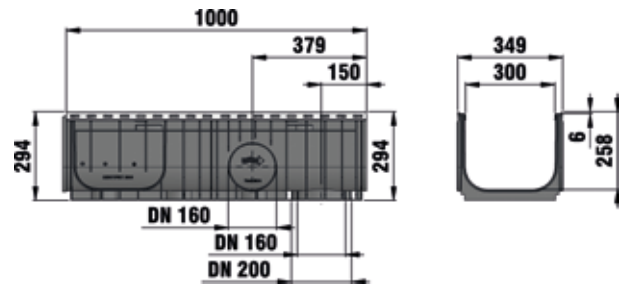
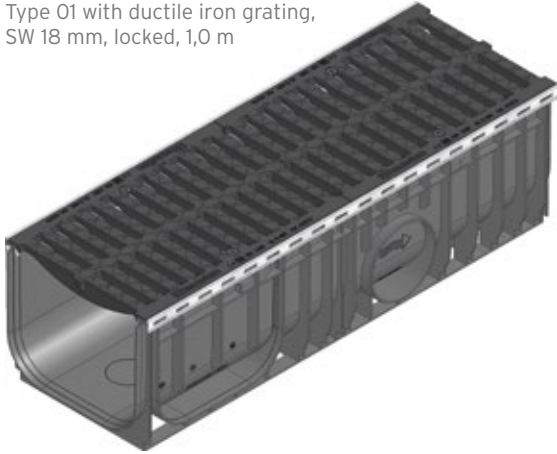
KERBFIX 305

RECYFIX®PLUS X 300

Combi article

RECYFIX®PLUS X 300, class D 400*

Type 01 with ductile iron grating,
SW 18 mm, locked, 1,0 m



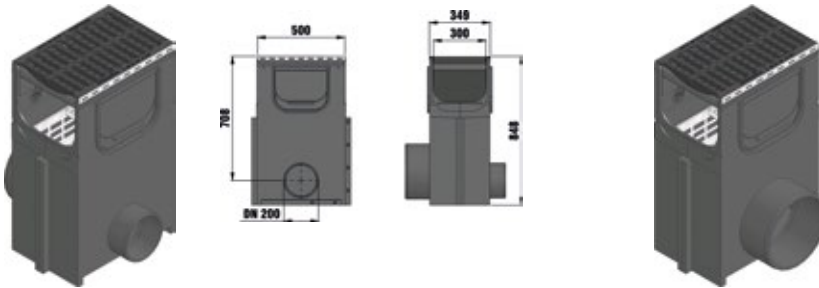
	Length mm	Width mm	Height mm	Internal channel cross-sect. cm ²	Intake cross-sect. cm ² /m	Weight kg	Item No.
Type 01 with ductile iron grating, SW 18 mm, locked, 1,0 m	1000	349	294	730	1102	33,64	42377

* Not for use across the carriageway of highways or motorways in moving traffic.

RECYFIX® PLUS X 300

Accessories

Trash boxes

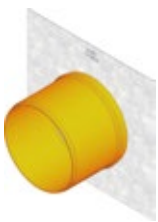


Trash box with galvanised mud bucket and ductile iron grating, SW 18 mm, black, class D 400, with PVC-U pipe outlet DN/OD 200, locked, 0,5 m

Trash box with galvanised mud bucket and ductile iron grating, SW 18 mm, black, class D 400, with PVC-U pipe outlet DN/OD 315, locked, 0,5 m

	Length mm	Width mm	Height mm	Weight kg	Item No.
Trash box with galvanised mud bucket and ductile iron grating, SW 18 mm, black, class D 400, with PVC-U pipe outlet DN/OD 200, locked, 0,5 m	500	349	848	50,84	32334
Trash box with galvanised mud bucket and ductile iron grating, SW 18 mm, black, class D 400, with PVC-U pipe outlet DN/OD 315, locked, 0,5 m	500	349	848	50,84	32341

End caps



End cap with horizontal PVC-U pipe outlet galvanised, type 01

	Length mm	Width mm	Height mm	Weight kg	Item No.
End cap closed, galvanised, type 01	-	360	340	1,85	40882
End cap with horizontal PVC-U pipe outlet galvanised, type 01	-	360	340	2,30	40892

Further accessories

	Length mm	Width mm	Height mm	Weight kg	Item No.
Universal sealant/adhesive Siga-Meltell® 320 black**	-	-	-	0,97	19051
Tubular pistol for universal sealant/adhesive Siga-Meltell® 320 black**	-	-	-	1,30	6891

FASERFIX®
SUPER

FASERFIX®
KS

RECYFIX®
PLUS X

RECYFIX®
INC

RECYFIX®
MONOTEC

RECYFIX®
HICAP®F

FASERFIX®
POINT KS

FASERFIX®
TRAFFIC GUGIBLOC
RECYFIX®
TRAFFIC GUGIBLOC

SERVICE
CHANNEL

KERBFIX 305

RECYFIX NC

Highly stable and lightweight - linear drainage made of PP for Civils engineering.



**Building material stockage,
SFS unimarket, Switzerland**



RECYFIX NC

Highly stable and lightweight - linear drainage made of PP for Civils engineering.

1 Requirements

Modern drainage systems must

- permanently withstand to high loads and large forces.
- be easy to install.
- be resistant to environmental influences (frost, heat, humidity).
- comply with DIN EN 1433.

3 Solutions

RECYFIX NC channels:

- channels made of PP for civil engineering
- load capacity up to E 600 according to EN 1433
- maximum security through 8-fold bolt fixing
- very lightweight, quick and cost saving installation.

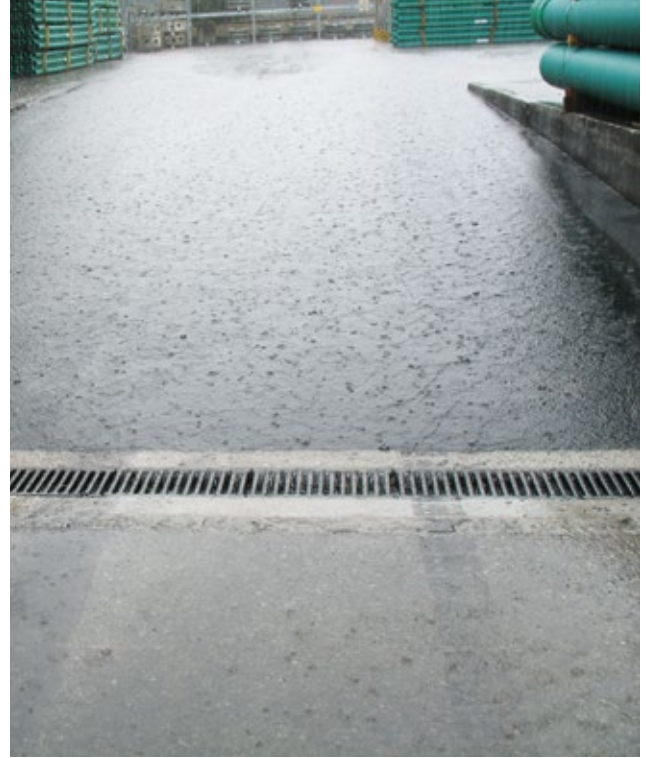
2 Application areas

- traffic areas for industry
- loading and unloading zones
- car parks
- pedestrian areas
- public areas
- petrol stations





Loading and unloading zones



Access ways



Logistic areas



Car parks

FASERFIX® SUPER
FASERFIX® KS
RECYFIX® PLUS X
RECYFIX® INC
RECYFIX® MONOTEC
RECYFIX® HICAP®F
FASERFIX® POINT KS
FASERFIX® TRAFFIC GUGIBLOC RECYFIX® TRAFFIC GUGIBLOC
SERVICE CHANNEL
KERBFIX 305

RECYFIX NC

Highly stable and lightweight - linear drainage made of PP for Civils engineering.

SFS unimarket, Switzerland, sees positive results with the installation of RECYFIX NC: Heavily-trafficked storage area holds up against enormous dynamic loads.

RECYFIX channels have mastered their ability in heavy-duty traffic areas. This has been proven in a practical test with exceptional results in a material storage area at the Swiss builders-merchants SFS unimarket. The heavily-frequented RECYFIX NC channels drain the material storage area reliably and safely.

Exceptionally high demands:

- high thrust forces and point loads
- ramp is heavily frequented
- maximum weight load due to daily forklift traffic (strong shear forces/point loads)

Customer review:

„Two years after installation, there are no changes whatsoever. No cracks, fractures, subsidence or other wear and tear have been found despite the heavy loads. We have put this product to the test and can recommend it to our customers without any hesitation“, says Bruno Tollardo, Logistics Manager at SFS unimarket in Altstätten.

Installation of drainage channels:

- RECYFIX NC 200, type 010 with ductile iron grating, load class E 600
- at lower end of the ramp (due to local conditions and hydraulic calculations)





FASERFIX® SUPER
FASERFIX® KS
RECYFIX® PLUS X
RECYFIX® INC
RECYFIX® MONOTEC
RECYFIX® HICAP®F
FASERFIX® POINT KS
FASERFIX® TRAFFIC GUGIBLOC RECYFIX® TRAFFIC GUGIBLOC
SERVICE CHANNEL
KERBFIX 305

YOUR BENEFITS WITH RECYFIX NC

VERY HIGH STABILITY

- massive ductile iron grating
- **RECYFIX** NC 100, 200, 300: load class E 600
- **RECYFIX** NC 400: load class D 400
- 8-fold bolted per metre

= **QUALITY- & PERFORMANCE ASSURED**



INTEGRATED ANGLE HOUSING

- according to EN 1433,
- molded as integral part of the channel body (made of PP)
- ridges to stop any lateral movement

= **PERFORMANCE ASSURED**



EASY HANDLING ON SITE

- much lighter than channels made of polymer / resin concrete
- easy transport and installation
Example (complete system - 1 m channel incl. gratings)
NW 100 = 10.7 kg, NW 200 = 20.8 kg

= **TIME- & COST SAVINGS**



HIGH-GRADE MATERIAL

- **RECYFIX** - stable and almost unbreakable
- elastic and especially robust material
- withstands high loads and temperature differences in daily use
- 100 % recycled composite body (and also 100 % recyclable) → 100 % environmentally friendly
- 0 % water absorption
- smooth inner surface for superior flow characteristics
- non-conductive
- PP channel body can be cut, drilled and worked easily on site

= **QUALITY- & PERFORMANCE ASSURED**



HIGH RESISTANCE

- high resistance against frost, de-icing salt and UV-rays
- withstands high temperature differences
- for climate ranges from - 50 °C to + 80 °C and more

= **QUALITY ASSURED / LONGEVITY**



PRE-ASSEMBLED READY FOR INSTALLATION

- channel and grating = one part
- no spare parts
- easy handling in stock and on construction site
- cost-efficient transport

= **BETTER GROSS MARGIN**



SELF-CENTERING BOLT

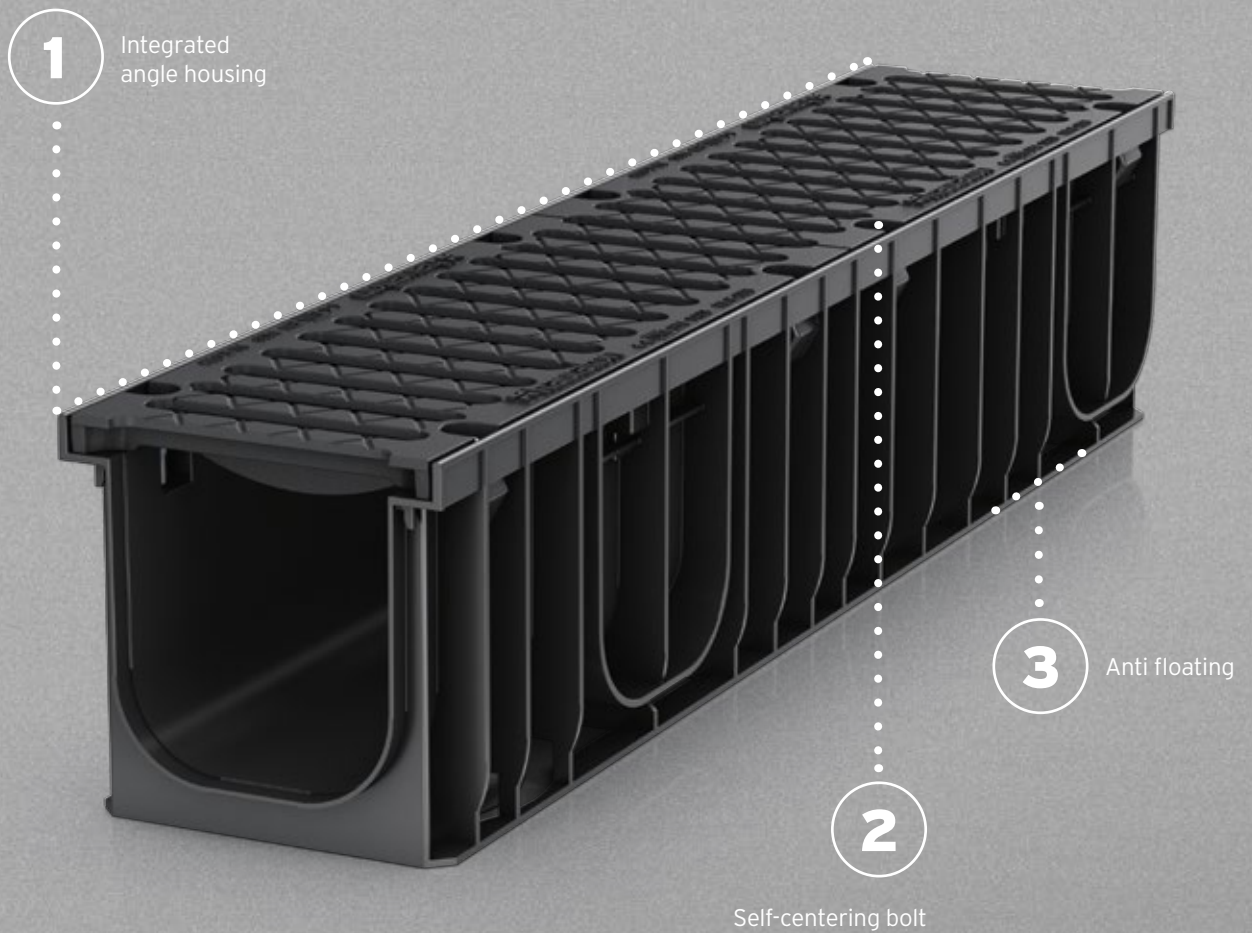
- the bolt automatically finds the right position
- bolts easily detachable even after years of use

= **QUALITY ASSURED / COST SAVINGS**



IDEAL FOR ...

heavy duty applications with higher traffic up to class E 600, such as car parks, industrial estates and petrol stations.



The lightest heavy-duty channel

Also available as the first channel made of **polypropylene (PP)** with nominal width 400

RECYFIX NC

Highly stable and lightweight - linear drainage made of PP for Civils engineering.

RECYFIX NC channels meet the requirements of DIN EN 1433 and are suitable for the following load categories:



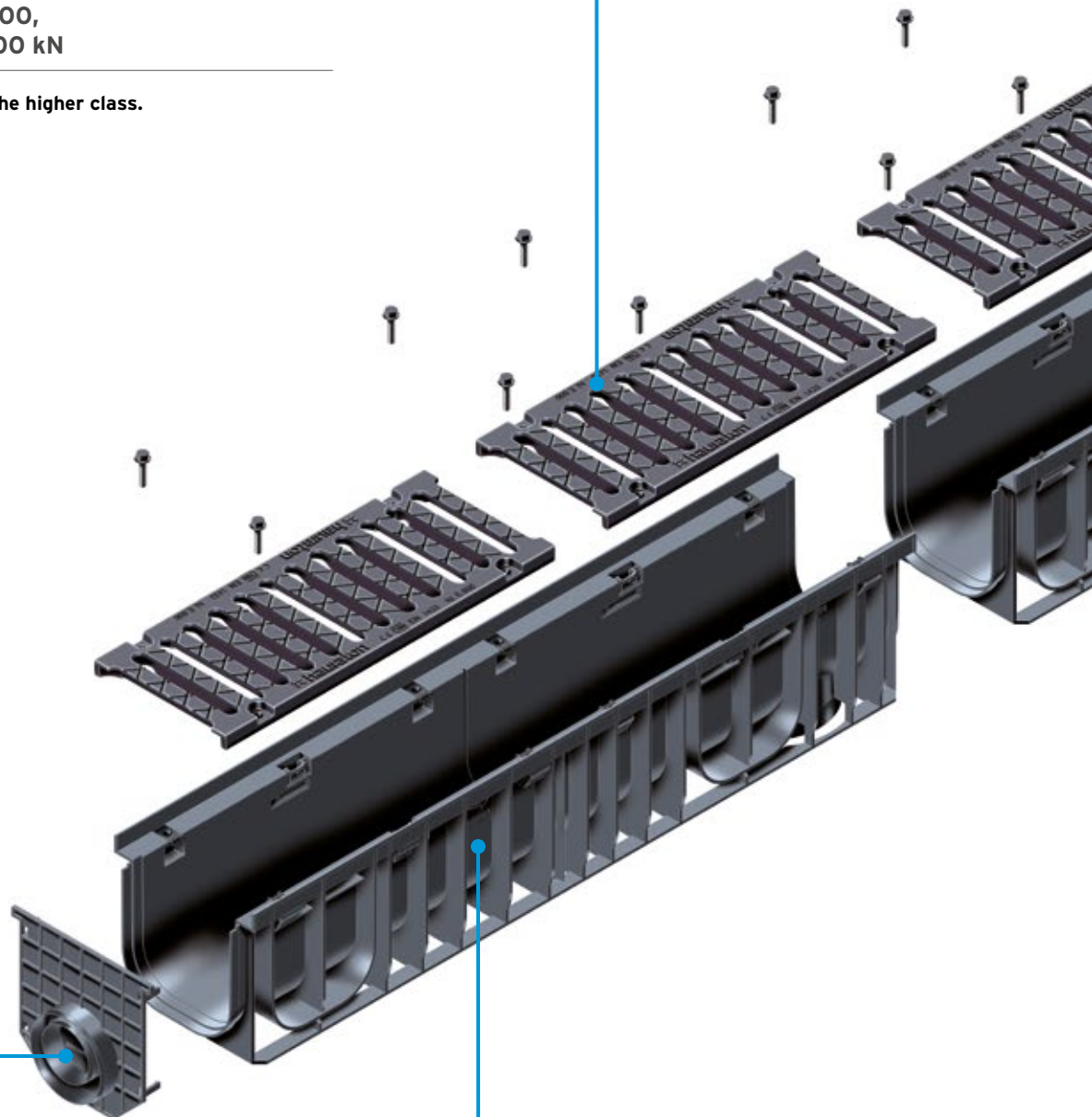
Category D 400,
Load class 400 kN



Category E 600,
Load class 600 kN

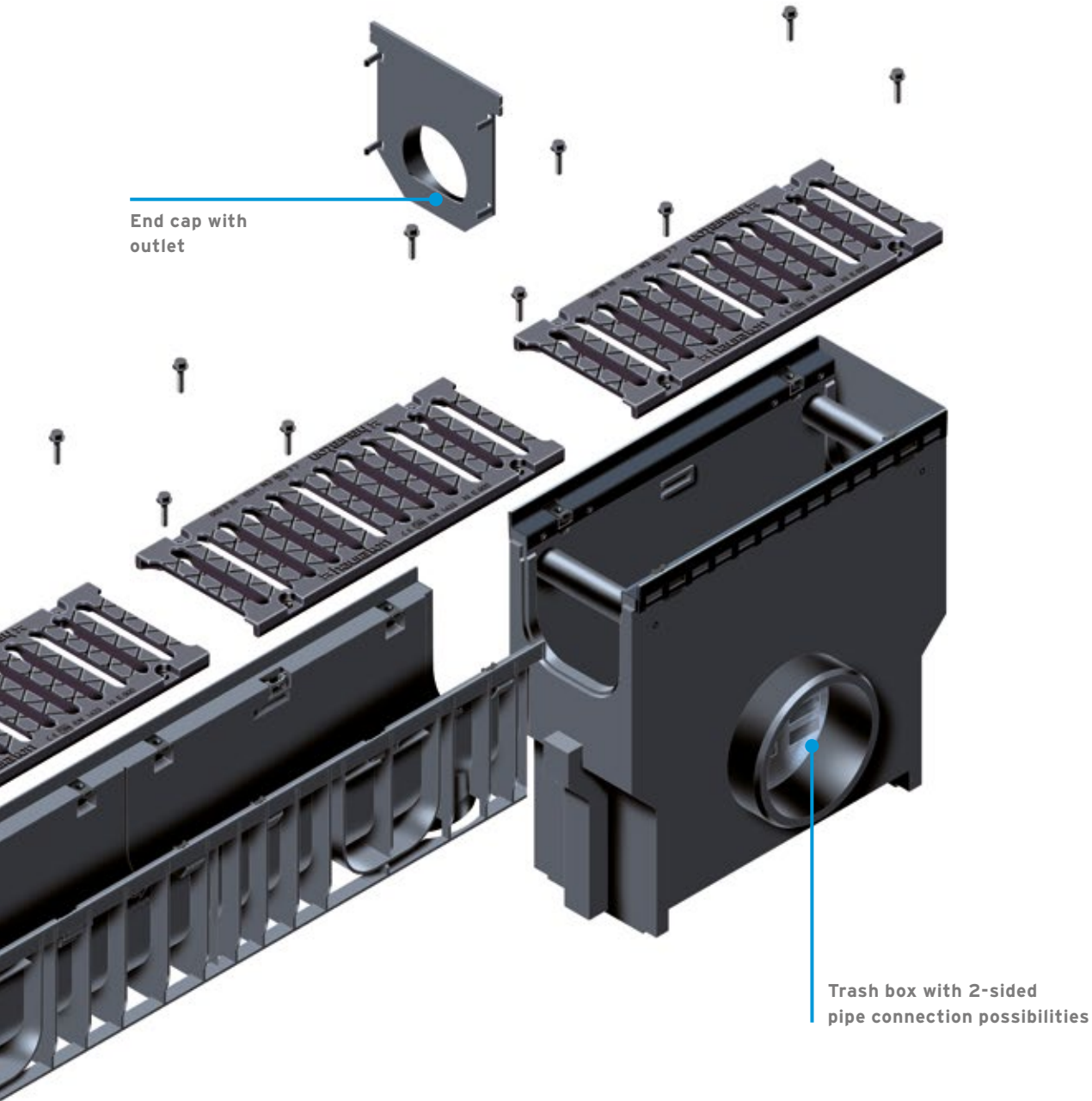
If in doubt, always select the higher class.

Stable ductile iron grating
made of durable spheroidal
ductile iron



End cap without
outlet

Channels made of PP with integrated
angle housing, according to
DIN V 19580/EN 1433, with
groove and tongue
connection for exact installation



End cap with outlet

Trash box with 2-sided pipe connection possibilities

Widths and heights of **RECYFIX®NC**:



Nominal sizes	100			150			200			300			400		
Type 75	160	75	55	-	-	-	-	-	-	-	-	-	-	-	-
Type 01	160	150	122	212	210	180	-	-	-	-	-	-	-	-	-
Type 010	160	200	172	-	-	-	262	200	172	362	360	320	500	500	456
Type 020	160	250	222	-	-	-	-	-	-	-	-	-	-	-	-

Width/Height/Inside height (in mm)

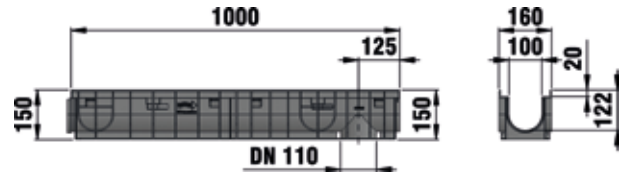
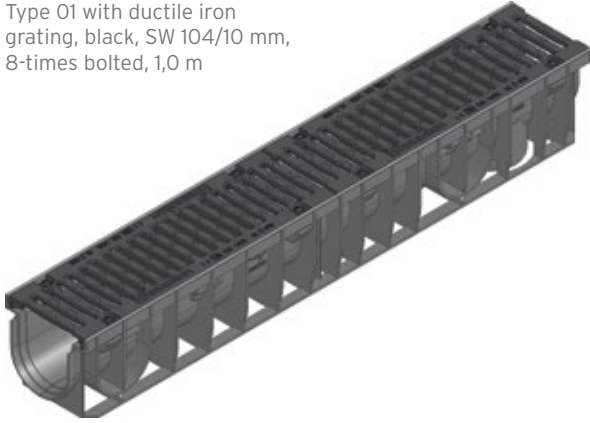
- FASERFIX® SUPER
- FASERFIX® KS
- RECYFIX® PLUS X
- RECYFIX® NC
- RECYFIX® MONOTEC
- RECYFIX® HICAP®F
- FASERFIX® POINT KS
- FASERFIX® TRAFFIC GUGBLOC
RECYFIX® TRAFFIC GUGBLOC
- SERVICE CHANNEL
- KERBFIX 305

RECYFIX®NC 100

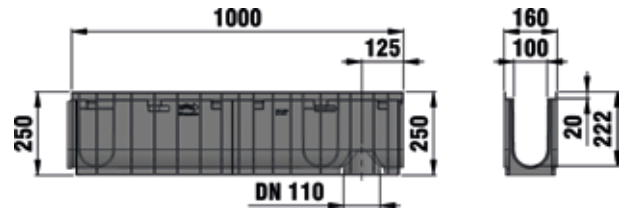
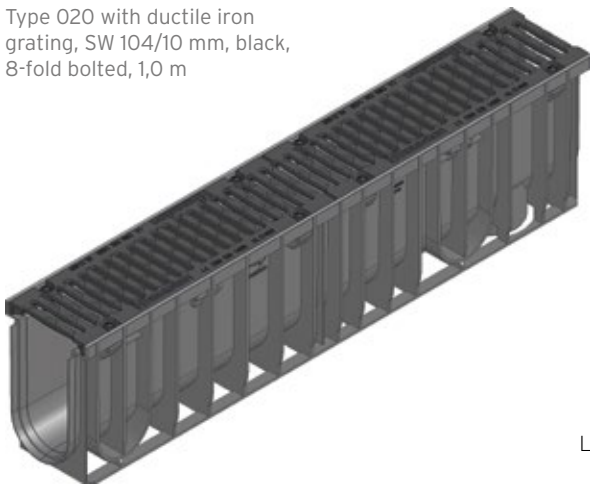
Combi article

RECYFIX®NC 100, class D 400

Type 01 with ductile iron grating, black, SW 104/10 mm, 8-times bolted, 1,0 m



Type 020 with ductile iron grating, SW 104/10 mm, black, 8-fold bolted, 1,0 m



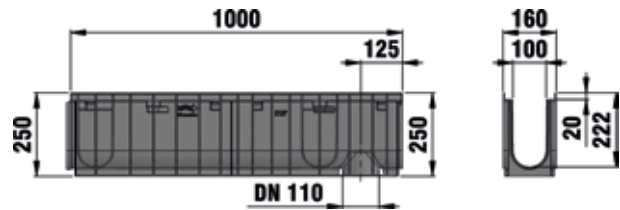
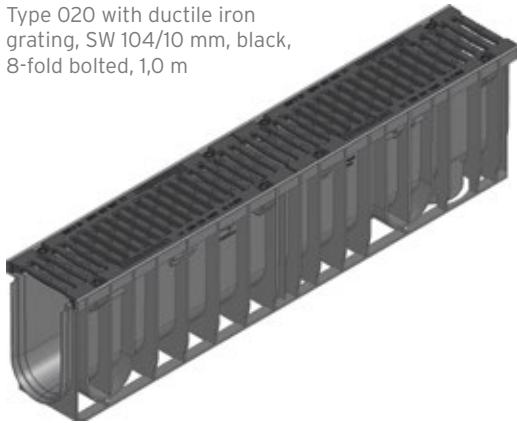
	Length mm	Width mm	Height mm	Internal channel cross-sect. cm ²	Intake cross-sect. cm ² /m	Weight kg	Item No.
--	--------------	-------------	--------------	-------------------------------------------------------	---------------------------------------------	--------------	-------------

Type 01 with ductile iron grating, black, SW 104/10 mm, 8-times bolted, 1,0 m	1000	160	150	92	427	10,67	48771
Type 0105 with ductile iron grating, black, SW 104/10 mm, 4-times bolted, 0,5 m	500	160	150	92	427	5,43	48746
Type 010 with ductile iron grating, black, SW 104/10 mm, 8-times bolted, 1,0 m	1000	160	200	142	427	11,60	48773
Type 01005 with ductile iron grating, black, SW 104/10 mm, 4-times bolted, 0,5 m	500	160	200	142	427	5,74	48745
Type 020 with ductile iron grating, SW 104/10 mm, black, 8-fold bolted, 1,0 m	1000	160	250	192	427	12,50	48777
Type 02005 with ductile iron grating, SW 104/10 mm, black, 8-fold bolted, 0,5 m	500	160	250	192	427	6,20	48779
Type 75 with ductile iron grating, SW 104/10 mm, black, 8-fold bolted, 1,0 m	1000	160	75	35	427	10,26	48775
NEW Type 01 with ductile iron grating SW 104/10 mm, KTL coated, 1,0 m	1000	160	150	92	427	10,90	48781
NEW Type 010 with ductile iron grating SW 104/10 mm, KTL coated, 1,0 m	1000	160	200	142	427	11,72	48783
NEW Type 020 with ductile iron grating SW 104/10 mm, KTL coated, 1,0 m	1000	160	250	192	427	12,35	48787
NEW Type 75 with ductile iron grating SW 104/10 mm, KTL coated, 1,0 m	1000	160	75	35	427	10,16	48785

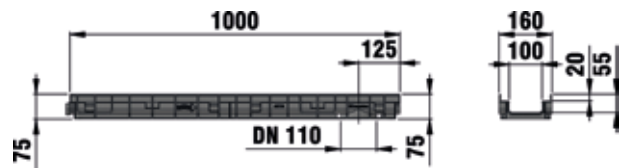
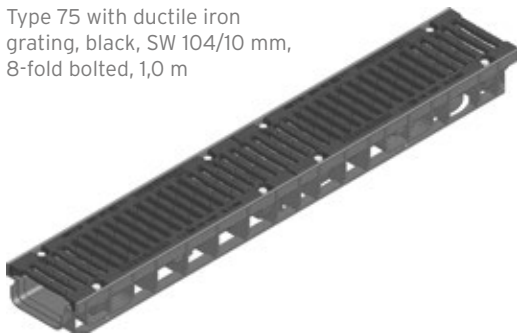
RECYFIX® NC 100

RECYFIX® NC 100, class E 600

Type 020 with ductile iron grating, SW 104/10 mm, black, 8-fold bolted, 1,0 m



Type 75 with ductile iron grating, black, SW 104/10 mm, 8-fold bolted, 1,0 m



	Length mm	Width mm	Height mm	Internal channel cross-sect. cm ²	Intake cross-sect. cm ² /m	Weight kg	Item No.
Type 01 with ductile iron grating, black, SW 104/10 mm, 8-fold bolted, 1,0 m	1000	160	150	92	427	10,70	48770
Type 0105 with ductile iron grating, black, SW 104/10 mm, 4-fold bolted, 0,5 m	500	160	150	92	427	5,43	48748
Type 010 with ductile iron grating, black, SW 104/10 mm, 8-fold bolted, 1,0 m	1000	160	200	142	427	11,92	48772
Type 01005 with ductile iron grating, black, SW 104/10 mm, 4-fold bolted, 0,5 m	500	160	200	142	427	5,80	48747
Type 020 with ductile iron grating, SW 104/10 mm, black, 8-fold bolted, 1,0 m	1000	160	250	192	427	12,50	48776
Type 02005 with ductile iron grating, SW 104/10 mm, black, 4-fold bolted, 0,5 m	500	160	250	192	427	6,32	48778
Type 75 with ductile iron grating, SW 104/10 mm, black, 8-fold bolted, 1,0 m	1000	160	75	35	427	10,23	48774
NEW Type 01 with ductile iron grating SW 104/10 mm, KTL coated, 1,0 m	1000	160	150	92	427	10,90	48780
NEW Type 010 with ductile iron grating SW 104/10 mm, KTL coated, 1,0 m	1000	160	200	142	427	11,72	48782
NEW Type 020 with ductile iron grating SW 104/10 mm, KTL coated, 1,0 m	1000	160	250	192	427	12,34	48786
NEW Type 75 with ductile iron grating SW 104/10 mm, KTL coated, 1,0 m	1000	160	75	35	427	10,16	48784

FASERFIX®
SUPER

FASERFIX®
KS

RECYFIX®
PLUS X

RECYFIX®
NC

RECYFIX®
MONOTEC

RECYFIX®
HICAP®F

FASERFIX®
POINT KS

FASERFIX®
TRAFFIC GUGBLOC
RECYFIX®
TRAFFIC GUGBLOC

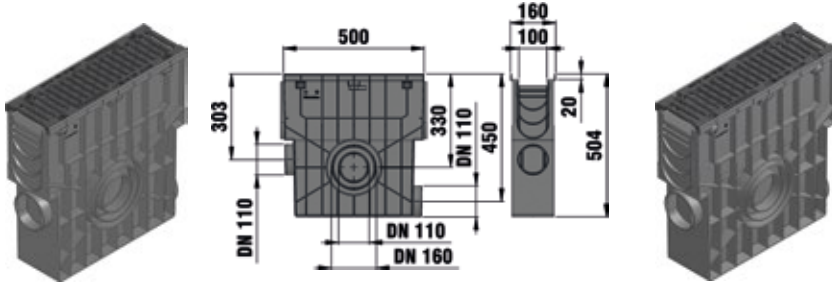
SERVICE
CHANNEL

KERBFIX 305

RECYFIX® NC 100

Accessories

Trash boxes



Trash box with PP mud bucket and ductile iron grating, black, SW 10 mm, class D 400, 4-fold bolted, 0,5 m

Trash box with plastic bucket, with ductile iron grating, black, SW 10 mm, class E 600, 4-fold bolted, 0,5 m

	Length mm	Width mm	Height mm	Weight kg	Item No.
Trash box with PP mud bucket and ductile iron grating, black, SW 10 mm, class D 400, 4-fold bolted, 0,5 m	500	160	504	8,79	48754
Trash box with plastic bucket, with ductile iron grating, black, SW 10 mm, class E 600, 4-fold bolted, 0,5 m	500	160	504	8,86	48753

End caps



End cap closed for type 01



End cap made of PP with outlet DN/OD 110, type 01



End cap type 75

	Length mm	Width mm	Height mm	Weight kg	Item No.
End cap closed for type 01	-	160	124	0,04	48681
End cap made of PP with outlet DN/OD 110, type 01	-	160	201	0,08	48691
End cap closed for type 010	-	160	176	0,05	47082
End cap made of PP with outlet DN/OD 110, type 010	-	160	201	0,11	47093
End cap made of PP, type 020	-	160	250	0,12	48683
End cap made of PP with outlet DN/OD 110, type 020	-	160	250	0,12	48695
End cap type 75	-	160	61	0,03	47097

RECYFIX® NC 100

NEW PVC-U

	Length mm	Width mm	Height mm	Weight kg	Item No.
PVC-U pipe 45°, DA 110, shortened	186	110	160	0,24	1022
PVC-U pipe 45°, DA 160, shortened	256	160	229	0,30	33066
PVC-U 2000 pipe 45°, DA 110, shortened	209	110	175	0,25	33050
PVC-U 2000 pipe 45°, DA 160, shortened	288	160	249	0,71	33068
PVC-U pipe 87,5°, DA 110, shortened	180	110	184	0,30	1023
PVC-U pipe 87,5°, DA 160, shortened	152	160	258	0,84	33067
PVC-U 2000 pipe 87,5°, DA 110, shortened	189	110	199	0,41	33049
PVC-U 2000 pipe 87,5°, DA 160, shortened	266	160	278	0,82	33069

Further accessories



Step Fall Adapter
for step slope, from type 01
to type 010, from type 010
to type 020

	Length mm	Width mm	Height mm	Weight kg	Item No.
Step Fall Adapter for step slope, from type 01 to type 010, from type 010 to type 020	189	108	88	0,21	48790
Universal sealant/adhesive Siga-Meltell® 320 black**	-	-	-	0,97	19051
Tubular pistol for universal sealant/adhesive Siga-Meltell® 320 black**	-	-	-	1,30	6891
Holesaw, Ø 102 mm, with tool holder for a drill	-	-	-	0,60	980

**Amount needed for Type 020: approx. 22 ml per joint

FASERFIX®
SUPER

FASERFIX®
KS

RECYFIX®
PLUS X

RECYFIX®
NC

RECYFIX®
MONOTEC

RECYFIX®
HICAP®F

FASERFIX®
POINT KS

FASERFIX®
TRAFFIC GUGIBLOC
RECYFIX®
TRAFFIC GUGIBLOC

SERVICE
CHANNEL

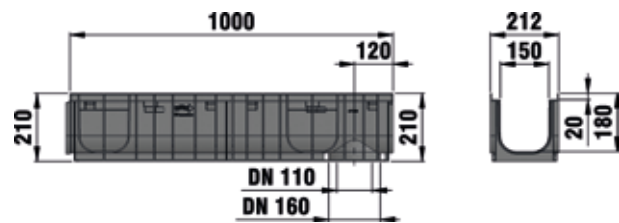
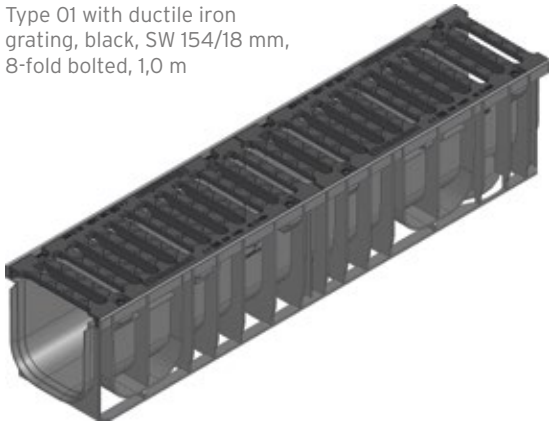
KERBFIX 305

RECYFIX®NC 150

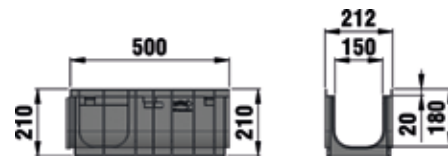
Combi article

RECYFIX®NC 150, class D 400

Type 01 with ductile iron grating, black, SW 154/18 mm, 8-fold bolted, 1,0 m



Type 0105 with ductile iron grating, black, SW 154/18 mm, 4-fold bolted, 0,5 m

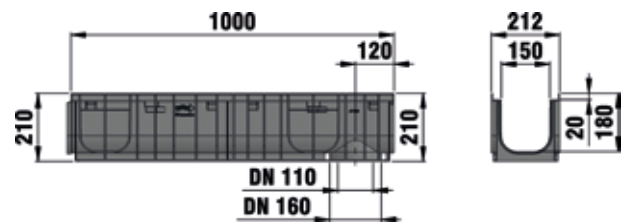
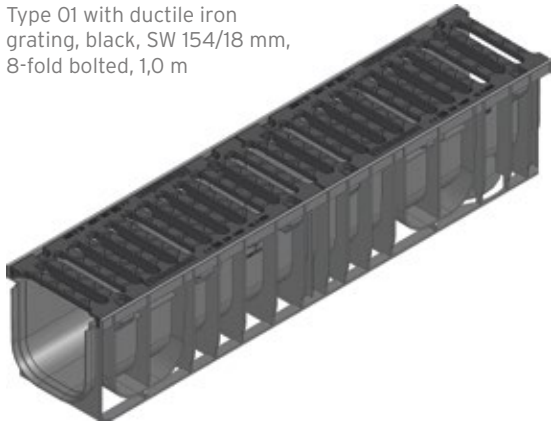


	Length mm	Width mm	Height mm	Internal channel cross-sect. cm ²	Intake cross-sect. cm ² /m	Weight kg	Item No.
Type 01 with ductile iron grating, black, SW 154/18 mm, 8-fold bolted, 1,0 m	1000	212	210	230	702	15,73	48871
Type 0105 with ductile iron grating, black, SW 154/18 mm, 4-fold bolted, 0,5 m	500	212	210	230	702	7,88	48847
NEW Type 01 with ductile iron grating SW 154/18 mm, KTL coated, 1,0 m	1000	212	210	230	702	15,73	48789

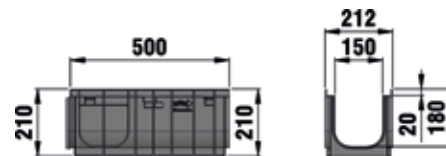
RECYFIX® NC 150

RECYFIX® NC 150, class E 600

Type 01 with ductile iron grating, black, SW 154/18 mm, 8-fold bolted, 1,0 m



Type 0105 with ductile iron grating, black, SW 154/18 mm, 4-fold bolted, 0,5 m



	Length mm	Width mm	Height mm	Internal channel cross-sect. cm ²	Intake cross-sect. cm ² /m	Weight kg	Item No.
Type 01 with ductile iron grating, black, SW 154/18 mm, 8-fold bolted, 1,0 m	1000	212	210	230	702	15,74	48870
Type 0105 with ductile iron grating, black, SW 154/18 mm, 4-fold bolted, 0,5 m	500	212	210	230	702	7,88	48848
NEW Type 01 with ductile iron grating SW 154/18 mm, KTL coated, 1,0 m	1000	212	210	230	702	15,73	48788

FASERFIX®
SUPER

FASERFIX®
KS

RECYFIX®
PLUS X

RECYFIX®
NC

RECYFIX®
MONOTEC

RECYFIX®
HICAP®F

FASERFIX®
POINT KS

FASERFIX®
TRAFFIC GUGBLOC
RECYFIX®
TRAFFIC GUGBLOC

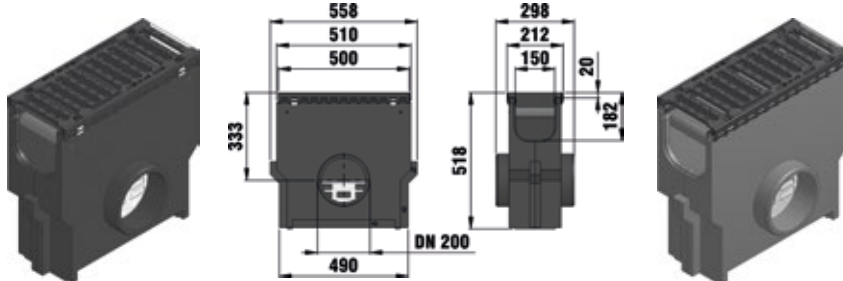
SERVICE
CHANNEL

KERBFIX 305

RECYFIX® NC 150

Accessories

Trash boxes



Trash box with galvanised bucket, with ductile iron grating, black, SW 18 mm, class D 400, 4-fold bolted, 0,5 m

Trash box with galvanised bucket, with ductile iron grating, black, SW 18 mm, class E 600, 4-fold bolted, 0,5 m

	Length mm	Width mm	Height mm	Weight kg	Item No.
Trash box with galvanised bucket, with ductile iron grating, black, SW 18 mm, class D 400, 4-fold bolted, 0,5 m	500	212	518	22,16	48854
Trash box with galvanised bucket, with ductile iron grating, black, SW 18 mm, class E 600, 4-fold bolted, 0,5 m	500	212	518	22,16	48853

End caps



End cap combined, PP with outlet DN/OD 75/110 for type 01

	Length mm	Width mm	Height mm	Weight kg	Item No.
End cap combined, PP with outlet DN/OD 75/110 for type 01	-	210	218	0,14	40591

RECYFIX® NC 150

NEW PVC-U

	Length mm	Width mm	Height mm	Weight kg	Item No.
PVC-U pipe 45°, DA 110, shortened	186	110	160	0,24	1022
PVC-U pipe 45°, DA 160, shortened	256	160	229	0,30	33066
PVC-U pipe 45°, DA 200, cutting	323	200	285	1,16	33298
PVC-U 2000 pipe 45°, DA 110, shortened	209	110	175	0,25	33050
PVC-U 2000 pipe 45°, DA 160, shortened	288	160	249	0,71	33068
PVC-U pipe 87,5°, DA 110, shortened	180	110	184	0,30	1023
PVC-U pipe 87,5°, DA 160, shortened	152	160	258	0,84	33067
PVC-U pipe 87,5°, DA 200, cutting	321	200	324	1,47	33299
PVC-U 2000 pipe 87,5°, DA 110, shortened	189	110	199	0,41	33049
PVC-U 2000 pipe 87,5°, DA 160, shortened	266	160	278	0,82	33069
PVC-U 2000 pipe 87,5°, DA 200, cutting	316	200	352	1,47	33309

Further accessories

	Length mm	Width mm	Height mm	Weight kg	Item No.
Mud bucket vertical made of modified composite for outlet DN/OD 160, black	-	-	-	0,13	845
Universal sealant/adhesive Siga-Meltell® 320 black**	-	-	-	0,97	19051
Tubular pistol for universal sealant/adhesive Siga-Meltell® 320 black**	-	-	-	1,30	6891
Holesaw, Ø 102 mm, with tool holder for a drill	-	-	-	0,60	980

****Amount needed for Type 01: approx. 17 ml per joint**

FASERFIX®
SUPER

FASERFIX®
KS

RECYFIX®
PLUS X

RECYFIX®
NC

RECYFIX®
MONOTEC

RECYFIX®
HICAP®F

FASERFIX®
POINT KS

FASERFIX®
TRAFFIC GUGBLOC
RECYFIX®
TRAFFIC GUGBLOC

SERVICE
CHANNEL

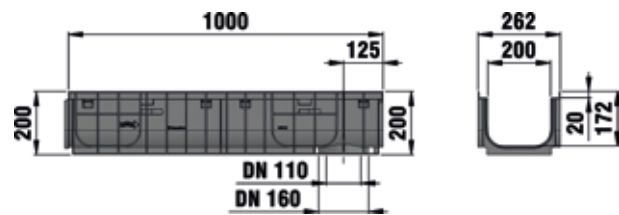
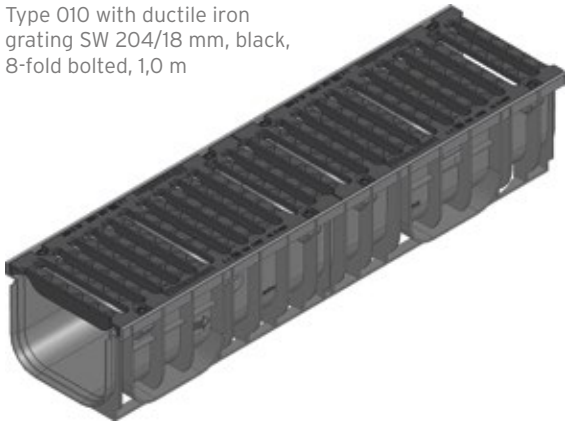
KERBFIX 305

RECYFIX®NC 200

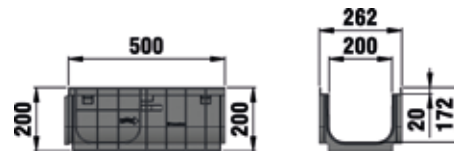
Combi article

RECYFIX®NC 200, class D 400

Type 010 with ductile iron grating SW 204/18 mm, black, 8-fold bolted, 1,0 m



Type 01005 with ductile iron grating, black, SW 204/18 mm, 4-fold bolted, 0,5 m

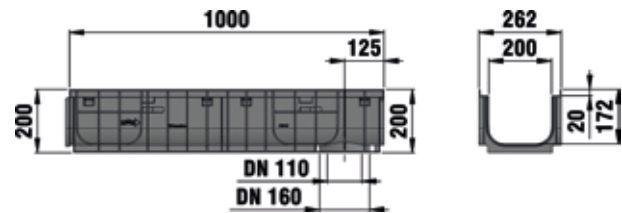
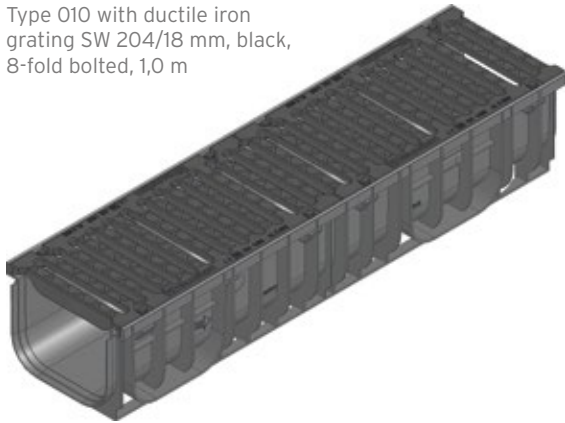


	Length mm	Width mm	Height mm	Internal channel cross-sect. cm ²	Intake cross-sect. cm ² /m	Weight kg	Item No.
Type 010 with ductile iron grating SW 204/18 mm, black, 8-fold bolted, 1,0 m	1000	262	200	294	936	20,75	49573
Type 01005 with ductile iron grating, black, SW 204/18 mm, 4-fold bolted, 0,5 m	500	262	200	294	936	10,38	49548
NEW Type 010 with ductile iron grating SW 204/18 mm, KTL coated, 1,0 m	1000	262	200	294	936	20,75	49885

RECYFIX® NC 200

RECYFIX® NC 200, class E 600

Type 010 with ductile iron grating SW 204/18 mm, black, 8-fold bolted, 1,0 m



Type 01005 with ductile iron grating, black, SW 204/18 mm, 4-fold bolted, 0,5 m



	Length mm	Width mm	Height mm	Internal channel cross-sect. cm ²	Intake cross-sect. cm ² /m	Weight kg	Item No.
Type 010 with ductile iron grating SW 204/18 mm, black, 8-fold bolted, 1,0 m	1000	262	200	294	936	20,76	49572
Type 01005 with ductile iron grating, black, SW 204/18 mm, 4-fold bolted, 0,5 m	500	262	200	294	936	10,38	49547
NEW Type 010 with ductile iron grating SW 204/18 mm, KTL coated, 1,0 m	1000	262	200	294	936	20,75	49884

FASERFIX®
SUPER

FASERFIX®
KS

RECYFIX®
PLUS X

RECYFIX®
NC

RECYFIX®
MONOTEC

RECYFIX®
HICAP®F

FASERFIX®
POINT KS

FASERFIX®
TRAFFIC GUGBLOC
RECYFIX®
TRAFFIC GUGBLOC

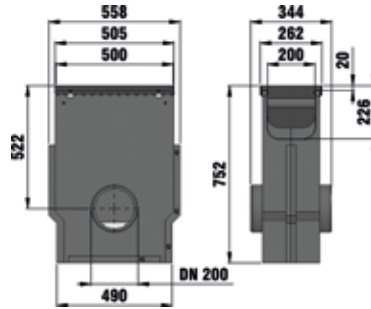
SERVICE
CHANNEL

KERBFIX 305

RECYFIX® NC 200

Accessories

Trash boxes



Trash box with galvanised bucket,
with ductile iron grating, black, SW 18 mm,
class E 600, 4-fold bolted, 0,5 m

	Length mm	Width mm	Height mm	Weight kg	Item No.
Trash box with galvanised bucket, with ductile iron grating, black, SW 18 mm, class D 400, 4-fold bolted, 0,5 m	500	262	752	35,20	49554
Trash box with galvanised bucket, with ductile iron grating, black, SW 18 mm, class E 600, 4-fold bolted, 0,5 m	500	262	752	35,20	49553

End caps



End cap combined
made of PP closed / with outlet
DN/OD 110, type 010

	Length mm	Width mm	Height mm	Weight kg	Item No.
End cap combined made of PP closed / with outlet DN/OD 110, type 010	-	258	217	0,20	41387

RECYFIX® NC 200

NEW PVC-U

	Length mm	Width mm	Height mm	Weight kg	Item No.
PVC-U pipe 45°, DA 110, shortened	186	110	160	0,24	1022
PVC-U pipe 45°, DA 160, shortened	256	160	229	0,30	33066
PVC-U pipe 45°, DA 200, cutting	323	200	285	1,16	33298
PVC-U 2000 pipe 45°, DA 110, shortened	209	110	175	0,25	33050
PVC-U 2000 pipe 45°, DA 160, shortened	288	160	249	0,71	33068
PVC-U pipe 87,5°, DA 110, shortened	180	110	184	0,30	1023
PVC-U pipe 87,5°, DA 160, shortened	152	160	258	0,84	33067
PVC-U pipe 87,5°, DA 200, cutting	321	200	324	1,47	33299
PVC-U 2000 pipe 87,5°, DA 110, shortened	189	110	199	0,41	33049
PVC-U 2000 pipe 87,5°, DA 160, shortened	266	160	278	0,82	33069
PVC-U 2000 pipe 87,5°, DA 200, cutting	316	200	352	1,47	33309

Further accessories

	Length mm	Width mm	Height mm	Weight kg	Item No.
Universal sealant/adhesive Siga-Meltell® 320 black**	-	-	-	0,97	19051
Tubular pistol for universal sealant/adhesive Siga-Meltell® 320 black**	-	-	-	1,30	6891
Holesaw, Ø 102 mm, with tool holder for a driller	-	-	-	0,60	980

****Amount needed for Type O10: approx. 18 ml per joint**

FASERFIX®
SUPER

FASERFIX®
KS

RECYFIX®
PLUS X

RECYFIX®
NC

RECYFIX®
MONOTEC

RECYFIX®
HICAP®F

FASERFIX®
POINT KS

FASERFIX®
TRAFFIC GUGBLOC
RECYFIX®
TRAFFIC GUGBLOC

SERVICE
CHANNEL

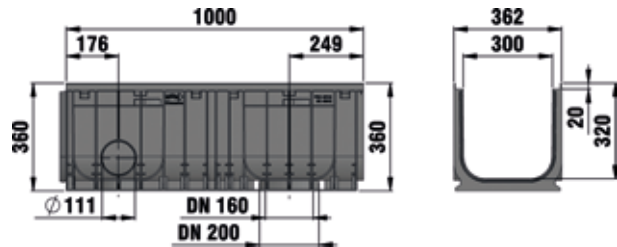
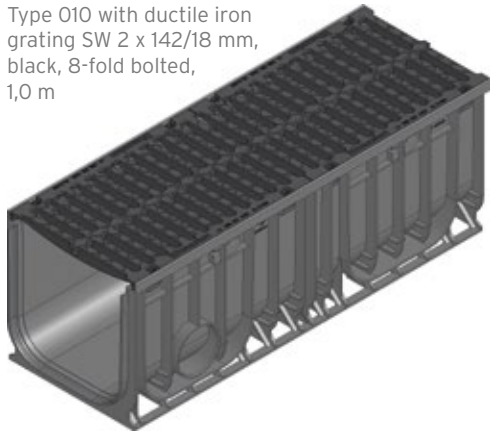
KERBFIX 305

RECYFIX®NC 300

Combi article

RECYFIX®NC 300, class D 400

Type 010 with ductile iron grating SW 2 x 142/18 mm, black, 8-fold bolted, 1,0 m



	Length mm	Width mm	Height mm	Internal channel cross-sect. cm ²	Intake cross-sect. cm ² /m	Weight kg	Item No.
--	--------------	-------------	--------------	-------------------------------------------------------	---------------------------------------------	--------------	-------------

Type 010 with ductile iron grating SW 2 x 142/18 mm, black, 8-fold bolted, 1,0 m

	1000	362	360	873	1293	34,65	49873
--	------	-----	-----	-----	------	-------	-------

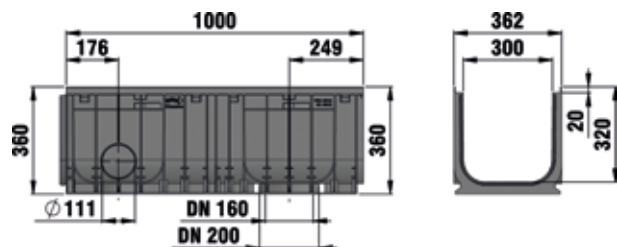
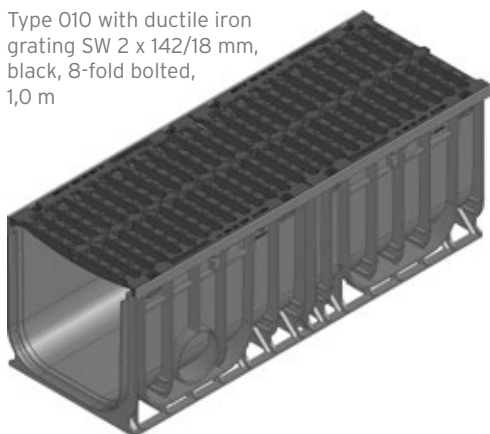
NEW

Type 010 with ductile iron grating SW 2 x 142/18 mm, KTL coated, 1,0 m

	1000	362	360	873	1293	34,64	49883
--	------	-----	-----	-----	------	-------	-------

RECYFIX®NC 300, class E 600

Type 010 with ductile iron grating SW 2 x 142/18 mm, black, 8-fold bolted, 1,0 m



	Length mm	Width mm	Height mm	Internal channel cross-sect. cm ²	Intake cross-sect. cm ² /m	Weight kg	Item No.
--	--------------	-------------	--------------	-------------------------------------------------------	---------------------------------------------	--------------	-------------

Type 010 with ductile iron grating SW 2 x 142/18 mm, black, 8-fold bolted, 1,0 m

	1000	362	360	873	1293	35,00	49872
--	------	-----	-----	-----	------	-------	-------

NEW

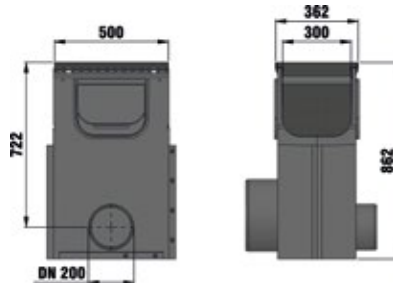
Type 010 with ductile iron grating SW 2 x 142/18 mm, KTL coated, 1,0 m

	1000	362	360	873	1293	34,95	49882
--	------	-----	-----	-----	------	-------	-------

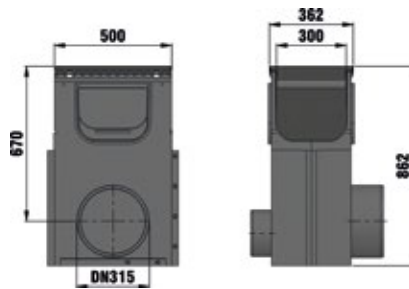
RECYFIX® NC 300

Accessories

Trash boxes



Trash box with galvanised mud bucket and ductile iron grating, SW 18 mm, black, class D 400, with PVC-U pipe outlet DN/OD 200, locked, 0,5 m



Trash box with galvanised mud bucket and Ductile iron grating, SW 18 mm, black, class E 600, with PVC-U pipe outlet DN/OD 315, locked, 0,5 m

	Length mm	Width mm	Height mm	Weight kg	Item No.
Trash box with galvanised mud bucket and ductile iron grating, SW 18 mm, black, class D 400, with PVC-U pipe outlet DN/OD 200, locked, 0,5 m	500	362	862	50,46	32330
Trash box with galvanised mud bucket and Ductile iron grating, SW 18 mm, black, class D 400, with PVC-U pipe outlet DN/OD 315, locked, 0,5 m	500	362	862	50,46	32337
Trash box with galvanised mud bucket and Ductile iron grating, SW 18 mm, black, class E 600, with PVC-U pipe outlet DN/OD 200, locked, 0,5 m	500	362	862	50,47	32331
Trash box with galvanised mud bucket and Ductile iron grating, SW 18 mm, black, class E 600, with PVC-U pipe outlet DN/OD 315, locked, 0,5 m	500	362	862	50,47	32338

FASERFIX®
SUPER

FASERFIX®
KS

RECYFIX®
PLUS X

RECYFIX®
NC

RECYFIX®
MONOTEC

RECYFIX®
HICAP®F

FASERFIX®
POINT KS

FASERFIX®
TRAFFIC GUGIBLOC
RECYFIX®
TRAFFIC GUGIBLOC

SERVICE
CHANNEL

KERBFIX 305

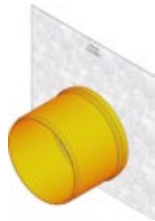
RECYFIX® NC 300

Accessories

End caps



End cap closed, galvanised, type 010



End cap with horizontal PVC-U pipe outlet DN/OD 200, galvanised, type 010

	Length mm	Width mm	Height mm	Weight kg	Item No.
End cap closed, galvanised, type 010	-	360	360	1,87	49783
End cap with horizontal PVC-U pipe outlet DN/OD 200, galvanised, type 010	-	360	360	2,55	49791

RECYFIX® NC 300

NEW PVC-U

	Length mm	Width mm	Height mm	Weight kg	Item No.
PVC-U pipe 45°, DA 160, shortened	256	160	229	0,30	33066
PVC-U pipe 45°, DA 200, cutting	323	200	285	1,16	33298
PVC-U 2000 pipe 45°, DA 160, shortened	288	160	249	0,71	33068
PVC-U 2000 pipe 45°, DA 200, cutting	358	200	324	1,30	33308
PVC-U pipe 87,5°, DA 160, shortened	152	160	258	0,84	33067
PVC-U pipe 87,5°, DA 200, cutting	321	200	324	1,47	33299
PVC-U 2000 pipe 87,5°, DA 160, shortened	266	160	278	0,82	33069
PVC-U 2000 pipe 87,5°, DA 200, cutting	316	200	352	1,47	33309

Further accessories

	Length mm	Width mm	Height mm	Weight kg	Item No.
Universal sealant/adhesive Siga-Meltell® 320 black**	-	-	-	0,97	19051
Tubular pistol for universal sealant/adhesive Siga-Meltell® 320 black**	-	-	-	1,30	6891
Holesaw, Ø 102 mm, with tool holder for a driller	-	-	-	0,60	980

****Amount needed for Type 010: approx. 32 ml per joint**

FASERFIX®
SUPER

FASERFIX®
KS

RECYFIX®
PLUS X

RECYFIX®
NC

RECYFIX®
MONOTEC

RECYFIX®
HICAP®F

FASERFIX®
POINT KS

FASERFIX®
TRAFFIC GUGBLOC
RECYFIX®
TRAFFIC GUGBLOC

SERVICE
CHANNEL

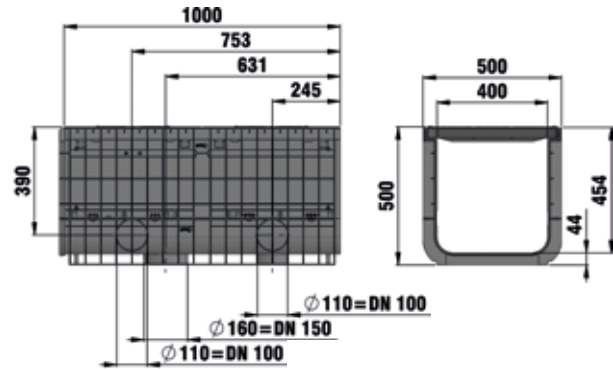
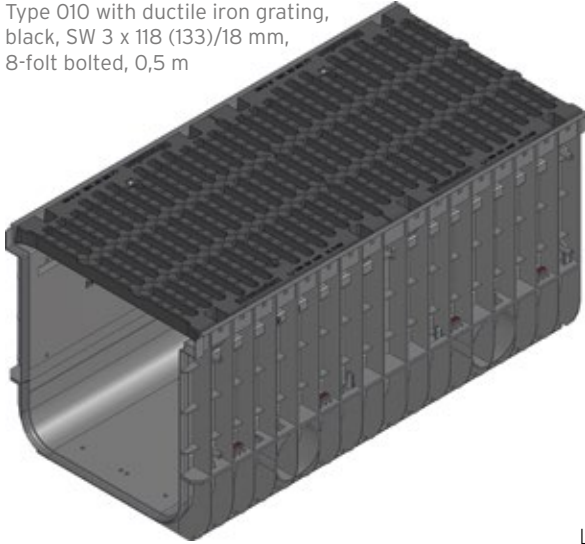
KERBFIX 305

RECYFIX®NC 400

Combi article

RECYFIX®NC 400, class D 400

Type 010 with ductile iron grating, black, SW 3 x 118 (133)/18 mm, 8-folt bolted, 0,5 m



	Length mm	Width mm	Height mm	Internal channel cross-sect. cm ²	Intake cross-sect. cm ² /m	Weight kg	Item No.
Type 010 with ductile iron grating, black, SW 3 x 118 (133)/18 mm, 8-folt bolted, 0,5 m	1000	500	500	1640	1753	57,15	42421

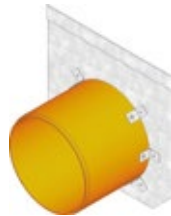
RECYFIX® NC 400

Accessories

End caps



End cap closed, galvanised, type 010



End cap with horizontal PVC-U pipe outlet DN/OD 315, galvanised, type 010

	Length mm	Width mm	Height mm	Weight kg	Item No.
End cap closed, galvanised, type 010	-	500	498	3,79	42481
End cap closed, stainless steel, type 010	-	500	498	3,20	42482
End cap with horizontal PVC-U pipe outlet DN/OD 315, galvanised, type 010	-	500	498	4,87	42487
End cap with horizontal PVC-U pipe outlet DN/OD 315, stainless steel, type 010	-	500	498	4,87	42488

The quality of stainless steel material corresponds to CNS 1.4301.

Further accessories

	Length mm	Width mm	Height mm	Weight kg	Item No.
Universal sealant/adhesive Siga-Meltell® 320 black**	-	-	-	0,97	19051
Tubular pistol for universal sealant/adhesive Siga-Meltell® 320 black**	-	-	-	1,30	6891
Holesaw, Ø 102 mm, with tool holder for a driller	-	-	-	0,60	980

**Amount needed for Type 010: approx. 32 ml per joint

RECYFIX MONOTEC

Drainage system for traffic, parking and commercial areas.





RECYFIX MONOTEC

Drainage system for traffic, parking and commercial areas.

1 Requirements

Monolithic drainage channels* in traffic areas must:

- be permanently corrosion-resistant
- be secure against vandalism
- be maintenance-free and drain reliably
- satisfy aesthetic demands

2 Application areas

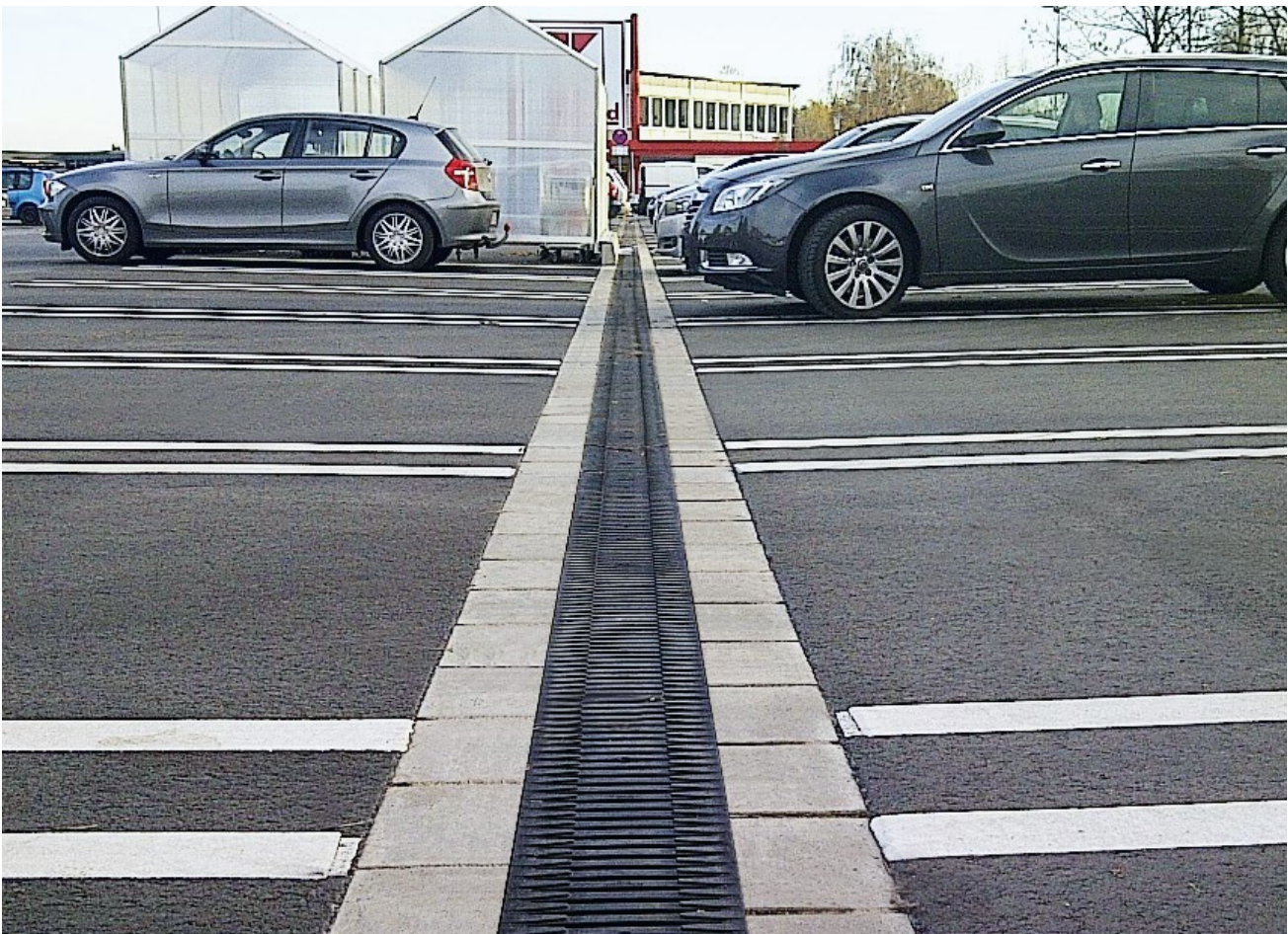
- parking areas
- market squares, public areas
- school playgrounds
- residential areas
- gas stations
- commercial areas

3 Solutions

Therefore, RECYFIX MONOTEC channels are especially suitable for draining parking and commercial areas:

- lightweight and easy processing for cost-effective installation
- channel made of specially resistant modified polypropylene
- leak-proof and chemical-resistant
- sturdy and unbreakable
- very quick to install

*Get more information about the Hightech-Manufacturing process on page 218.





Installation in asphalt surface



Installation in concrete surface



AMAZON regional distribution centre, Doncaster, United Kingdom



Installation in paving surfaces



Ideal for heavily-trafficked areas

FASERFIX®
SUPER

FASERFIX®
KS

RECYFIX®
PLUS X

RECYFIX®
INC

RECYFIX®
MONOTEC

RECYFIX®
HICAP P/F

FASERFIX®
POINT KS

FASERFIX®
TRAFFIC GUGBLOC
RECYFIX®
TRAFFIC GUGBLOC

SERVICE
CHANNEL

KERBFIX 305

YOUR BENEFITS WITH **RECYFIX MONOTEC**

VERY HIGH HYDRAULIC CAPACITY

- optimised inlet surface with **FIBRETEC** design
 - high volume through slim channel construction
- Example:
RECYFIX MONOTEC 200 - capacity 746 cm² $\hat{=}$ 74,6 litre/metre

= PERFORMANCE ASSURED



UNBREAKABLE

- elastic and especially resistant material (PP)
- resistant to traffic volume and temperature differences in daily use

= QUALITY- & PERFORMANCE ASSURED



HIGH RESISTANCE

- high resistance to frost, de-icing salt and UV light
- withstands high temperature differences
- chemical-resistant

= QUALITY- & PERFORMANCE ASSURED



MONOLITHIC DRAINAGE CHANNEL FOR HIGHEST STABILITY

- manufactured with two parts, which are joined together into a monolithic channel in a mirror welding process. In the mirror welding process the joining surfaces are heated with heating elements (= mirror) and finally pressed together. All this is done without any additional connecting material. Afterwards, the connections are extremely reliable.
- vandal-proof
- permanently withstands frequent traffic

= QUALITY- & PERFORMANCE ASSURED



LOW MAINTENANCE

- easy cleaning by rinsing through the inspection box
- durable high-quality appearance

= TIME- & COST SAVINGS



LOW WEIGHT ENSURES EASY HANDLING ON SITE

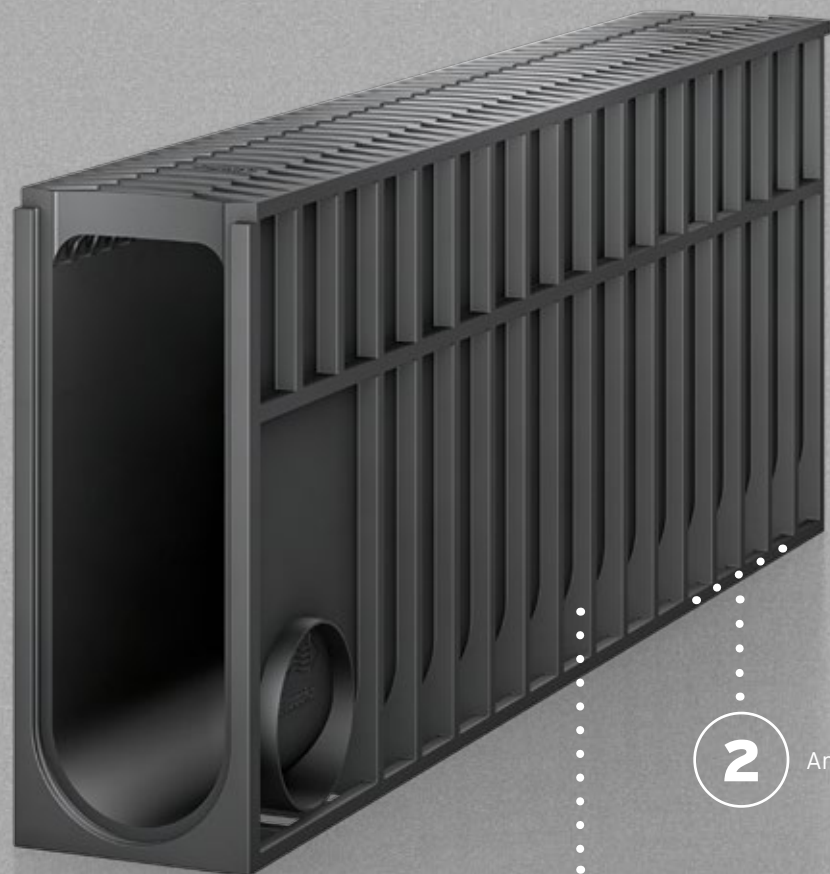
- significantly lighter than channels made of mineral material
 - especially easy transport and fast installation
- Example: **RECYFIX MONOTEC 200** - weight 16.30 kg

= TIME- & COST SAVINGS



IDEAL FOR ...

heavily frequented applications with high retention volume up to class D 400, such as supermarkets, car parks and petrol stations.



- 1** Ribs for stability and lateral movement protection
- 2** Anti floating

RECYFIX MONOTEC

Optimal hydraulic capacity through slim design.

The RECYFIX MONOTEC channel is made of highly resistant and unbreakable polypropylene. Therefore, a particularly slender design is possible which has a positive effect with regard to drainage capacity. The smallest model, with a nominal width of 100 mm and a height of 230 mm, already achieves a drainage cross-section of 190.5 cm². Comparable channels, made from other materials, must have much thicker sidewalls which significantly reduces the drainage cross-section.

The RECYFIX MONOTEC Channel range consists of 3 heights with a nominal width of 100 mm and one model with a nominal width of 200 mm. Long-term practical tests and computer-aided simulations lead to the same result: The RECYFIX MONOTEC accumulates heavy rainfall, provides a sufficient backwater reserve and drains large surfaces safely and reliably.



Enormous Volume

- channel reliably takes in heavy rain
- more area per channel meter can be drained

RECYFIX MONOTEC

Nominal size	Height	Drainage cross-section		Volume/ Channel
100 mm	230 mm	190.5 cm ²		19.1 l
100 mm	280 mm	245.5 cm ²		24.6 l
100 mm	380 mm	355.5 cm ²		35.6 l
200 mm	450 mm	746.1 cm ²		74.6 l

Maximum hydraulic capacity

The fibre-reinforced polypropylene material enables a slim channel design. As a result, a maximum hydraulic capacity is achieved.



NW 100, Type 230



NW 100, Type 280



NW 100, Type 380



NW 200, Type 450



NW 200, Type 450



Lower drainage capacity, up to 45%, with monolithic channels made from other materials

FIBRETEC slotted grating: Proven to make progress

In 2010, HAURATON invented the FIBRETEC slotted grating. This grating is specially designed for maximum hydraulic performance. Optimized inlet radii ensure that the largest amount of water is led into the channel within the shortest time. More than one million channels sold expresses its great popularity. Deliberately, the design has now been transferred to the RECYFIX MONOTEC. Along with the enormous volume of the channel, a product with the highest hydraulic demands has emerged - the perfect combination of water intake, retention and drainage.



Testing at HAURATON Hydraulic Center in Budapest

FASERFIX®
SUPER

FASERFIX®
KS

RECYFIX®
PLUS X

RECYFIX®
INC

RECYFIX®
MONOTEC

RECYFIX®
HICAP®F

FASERFIX®
POINT KS

FASERFIX®
TRAFFIC GUGIBLOC
RECYFIX®
TRAFFIC GUGIBLOC

SERVICE
CHANNEL

KERBFIX 305

RECYFIX MONOTEC

Drainage system for traffic, parking and commercial areas.

RECYFIX MONOTEC channels meet the requirements of DIN EN 1433 and are suitable for the following load classes:



**Category C 250,
Load Class 250 kN**

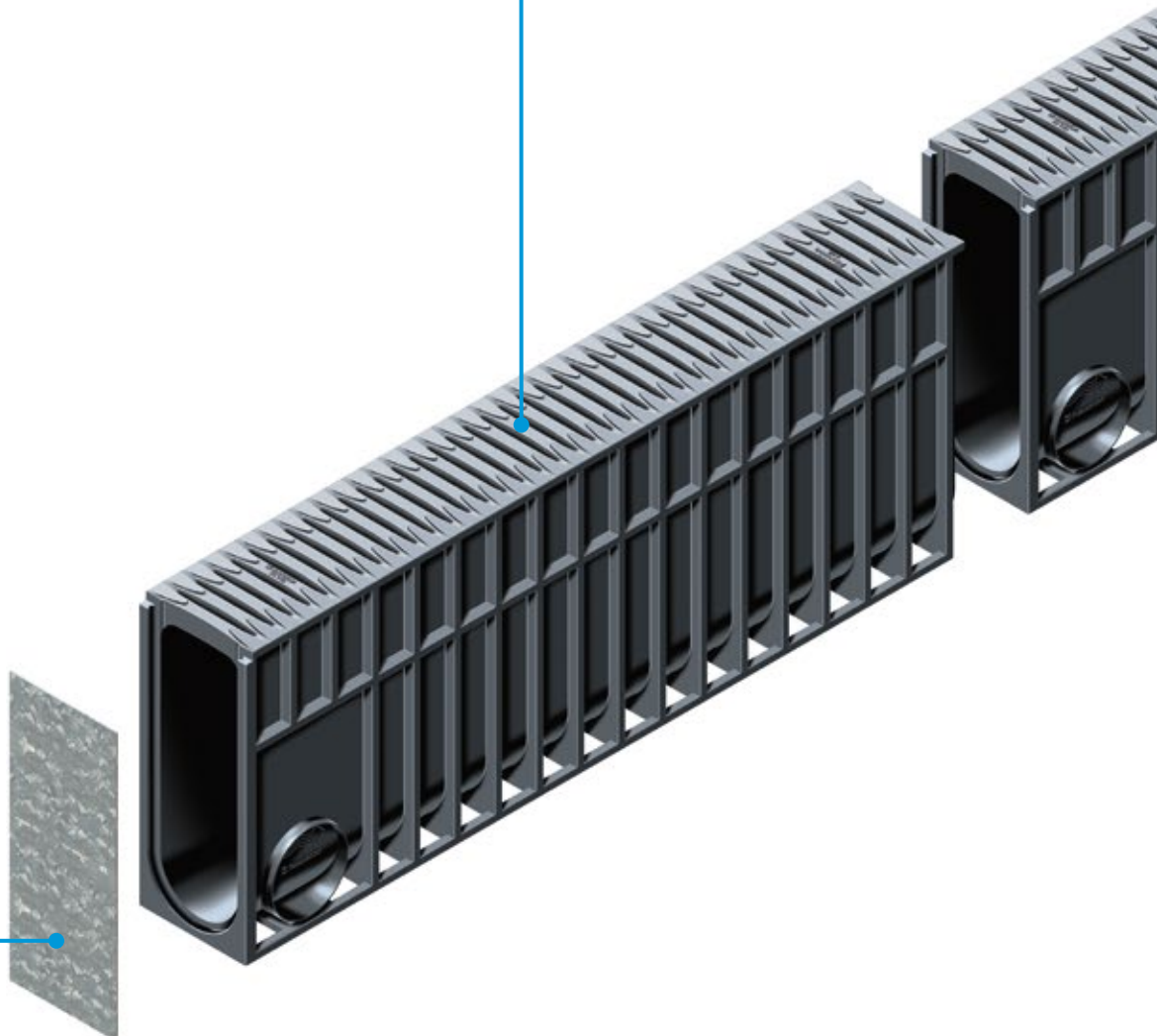


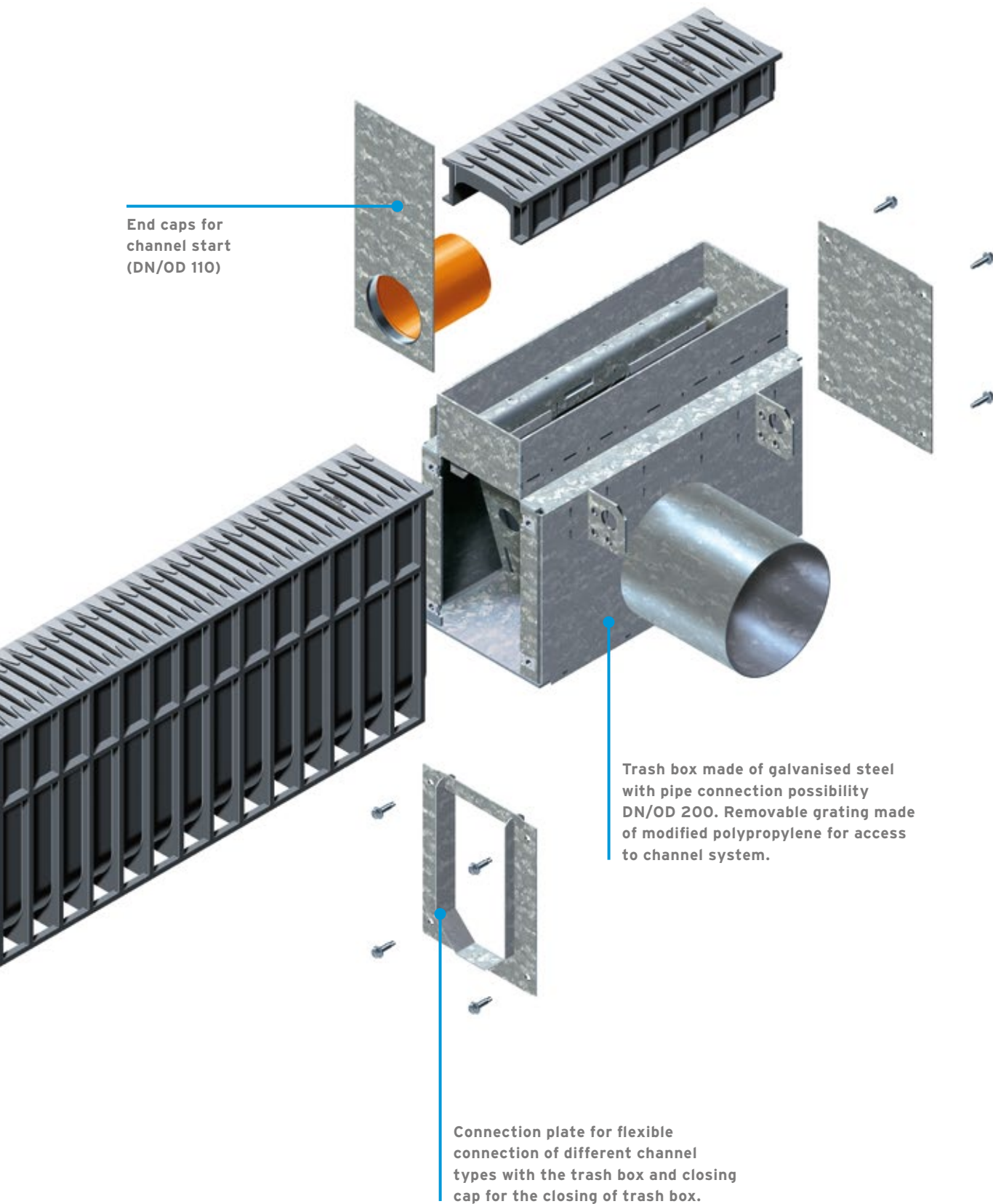
**Category D 400,
Load Class 400 kN**

If in doubt, always select the higher class.

RECYFIX MONOTEC channels
made of modified polypropylene,
according to DIN EN 1433,
CE-conform.

End caps for
channel start
(DN/OD 110)





End caps for channel start (DN/OD 110)

Trash box made of galvanised steel with pipe connection possibility DN/OD 200. Removable grating made of modified polypropylene for access to channel system.

Connection plate for flexible connection of different channel types with the trash box and closing cap for the closing of trash box.

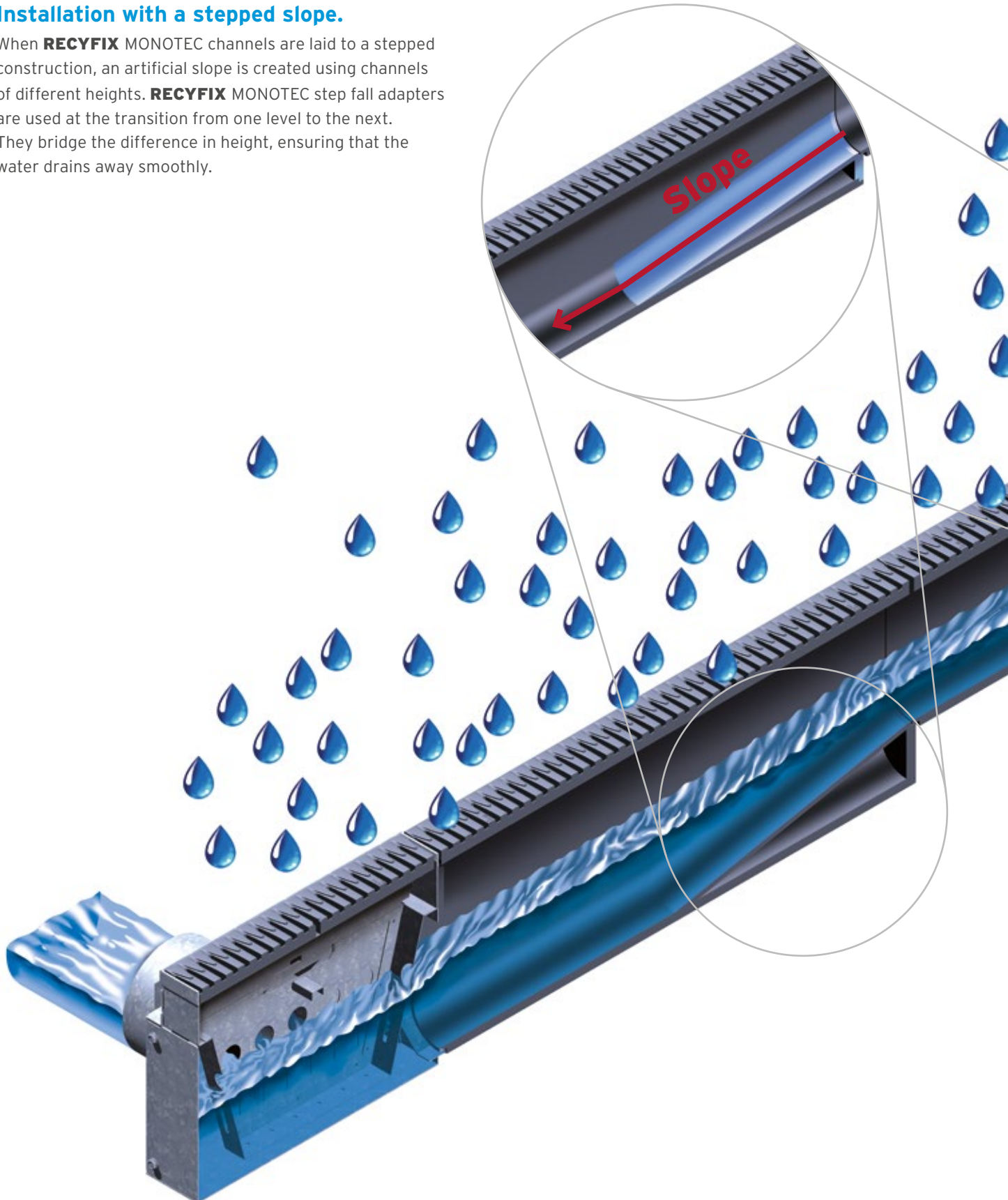
FASERFIX® SUPER
FASERFIX® KS
RECYFIX® PLUS X
RECYFIX® NC
RECYFIX® MONOTEC
RECYFIX® HICAP®F
FASERFIX® POINT KS
FASERFIX® TRAFFIC GUGIBLOC RECYFIX® TRAFFIC GUGIBLOC
SERVICE CHANNEL
KERBFIX 305

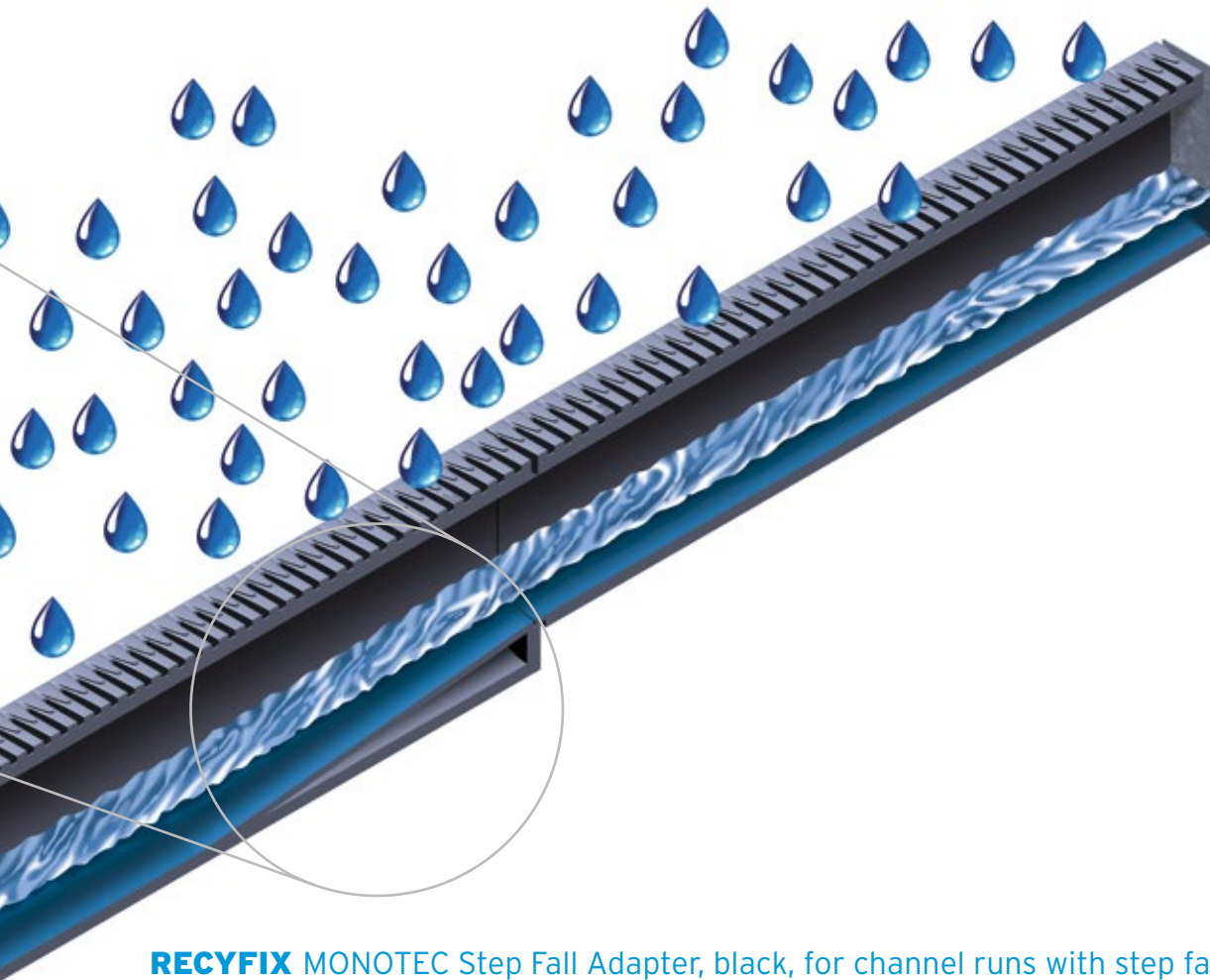
RECYFIX MONOTEC Step Fall

Reliable hydraulic performance for channel runs with a stepped slope.

Installation with a stepped slope.

When **RECYFIX** MONOTEC channels are laid to a stepped construction, an artificial slope is created using channels of different heights. **RECYFIX** MONOTEC step fall adapters are used at the transition from one level to the next. They bridge the difference in height, ensuring that the water drains away smoothly.





RECYFIX MONOTEC Step Fall Adapter, black, for channel runs with step fall

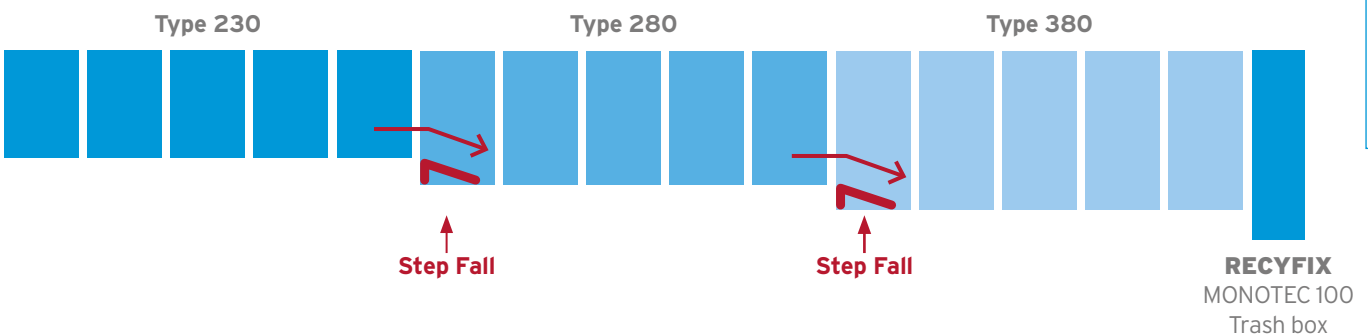


Step Fall Adapter for transition from type 230 to 280



Step Fall Adapter for transition from type 280 to 380

RECYFIX MONOTEC Channel 100:



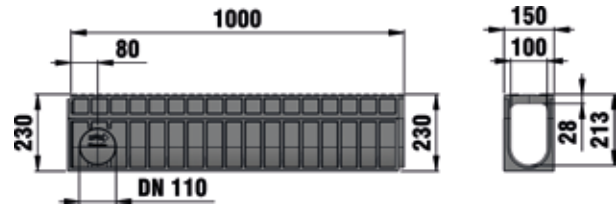
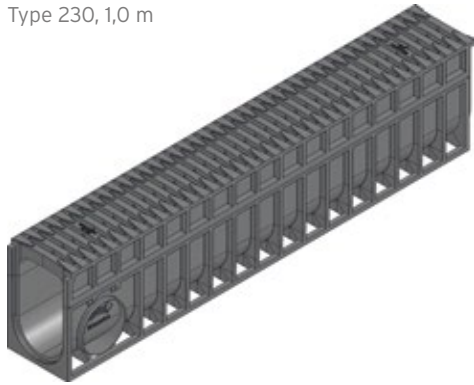
FASERFIX® SUPER
FASERFIX® KS
RECYFIX® PLUS X
RECYFIX® NC
RECYFIX® MONOTEC
RECYFIX® HICAP® F
FASERFIX® POINT KS
FASERFIX® TRAFFIC GUGIBLOC RECYFIX® TRAFFIC GUGIBLOC
SERVICE CHANNEL
KERBFIX 305

RECYFIX® MONOTEC 100

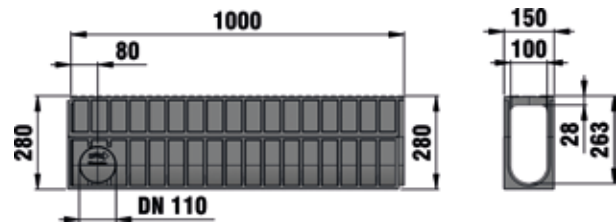
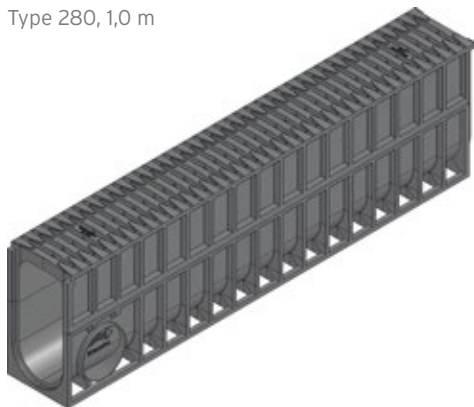
Monolithic channel

RECYFIX® MONOTEC 100, up to class D 400

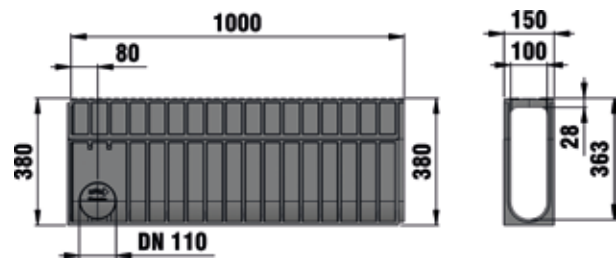
Type 230, 1,0 m



Type 280, 1,0 m



Type 380, 1,0 m



	Length mm	Width mm	Height mm	Internal channel cross-sect. cm ²	Intake cross-sect. cm ² /m	Weight kg	Item No.
Type 230, 1,0 m	1000	150	230	190	372	8,21	36000
Type 280, 1,0 m	1000	150	280	245	372	9,20	36005
Type 380, 1,0 m	1000	150	380	355	372	11,19	36015

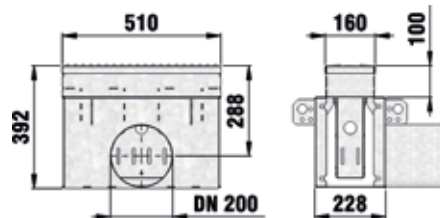
RECYFIX® MONOTECH 100

Accessories

Trash boxes



Trash box with galvanised bucket



Connection plate with screw set, galvanised, channel type 230



Closing cap with screw set, galvanised, for trash box/inspection box

	Length mm	Width mm	Height mm	Weight kg	Item No.
Trash box with galvanised bucket	510	160	392	29,50	36045
Looking handle with screw for protection against vandalism	28	117	14	0,07	36098
Connection plate with screw set, galvanised, channel type 230	-	216	283	1,06	36032
Connection plate with screw set, galvanised, channel type 280	-	216	283	1,02	36037
Connection plate with screw set, galvanised, channel type 380	-	216	283	0,92	36047
Closing cap with screw set, galvanised, for trash box/inspection box	-	216	283	0,95	36023

All trash and inspection boxes are factory-made with the end face open to enable a modular use for all application situations:

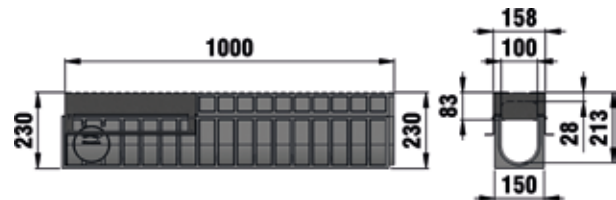
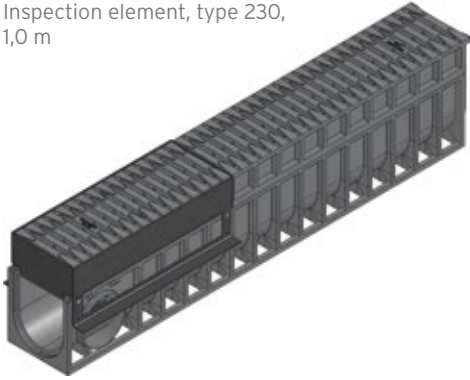
- Option 1: one-sided channel connection: You will need 1 connection plate with the same channel height (= same type) and an closing cap.
- Option 2: two-sided channel connection: You will need 2 connection plates with the same channel height (= same type).

RECYFIX® MONOTEC 100

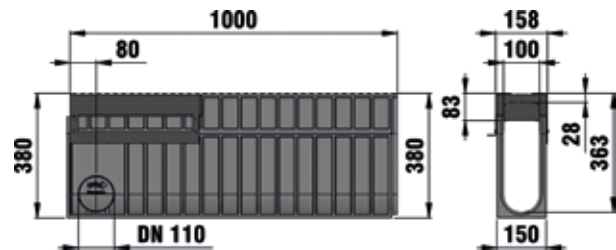
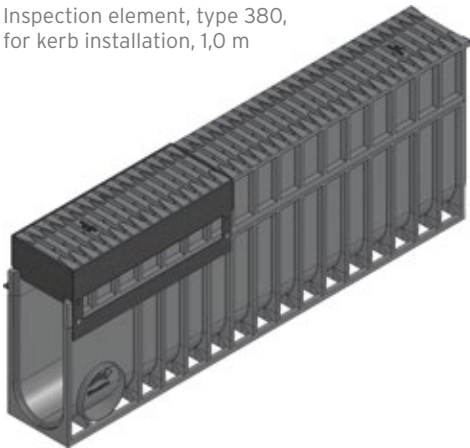
Accessories

Inspection elements

Inspection element, type 230,
1,0 m



Inspection element, type 380,
for kerb installation, 1,0 m



	Length mm	Width mm	Height mm	Internal channel cross-sect. cm ²	Intake cross-sect. cm ² /m	Weight kg	Item No.
Inspection element, type 230, 1,0 m	1000	158	230	130	351	10,89	36062
Inspection element, type 280, 1,0 m	1000	158	280	185	351	11,79	36063
Inspection element, type 380, 1,0 m	1000	158	380	295	351	13,72	36065
Inspection element, type 230, for kerb installation, 1,0 m	1000	158	230	130	351	11,12	36066
Inspection element, type 280, for kerb installation, 1,0 m	1000	158	280	185	351	12,11	36067
Inspection element, type 380, for kerb installation, 1,0 m	1000	158	380	295	351	14,10	36069

RECYFIX® MONOTECH 100

End caps



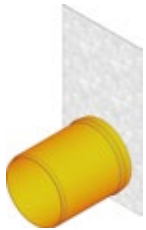
End cap closed, galvanised, type 230



End cap closed, galvanised, type 280



End cap closed, galvanised, type 380



End cap with horizontal PVC-U pipe outlet DN/OD 110, galvanised, type 280



End cap with horizontal PVC-U pipe outlet DN/OD 110, galvanised, type 380

	Length mm	Width mm	Height mm	Weight kg	Item No.
End cap closed, galvanised, type 230	-	150	224	0,53	36080
End cap closed, galvanised, type 280	-	150	274	0,65	36082
End cap closed, galvanised, type 380	-	150	374	0,88	36086
End cap with horizontal PVC-U pipe outlet DN/OD 110, galvanised, type 230	-	150	224	0,66	36090
End cap with horizontal PVC-U pipe outlet DN/OD 110, galvanised, type 280	-	150	274	0,78	36092
End cap with horizontal PVC-U pipe outlet DN/OD 110, galvanised, type 380	-	150	374	1,01	36096

Further accessories



Step Fall Adapter for step slope, from type 230 to 280



Step Fall Adapter for step slope, from type 280 to 380

	Length mm	Width mm	Height mm	Weight kg	Item No.
Step Fall Adapter for step slope, from type 230 to 280	510	125	113	0,48	36070
Step Fall Adapter for step slope, from type 280 to 380	510	125	163	0,59	36071
Universal sealant/adhesive Siga-Meltell® 320 black**	-	-	-	0,97	19051
Tubular pistol for universal sealant/adhesive Siga-Meltell® 320 black**	-	-	-	1,30	6891

**Amount needed for Type 380: approx. 32 ml per joint

FASERFIX®
SUPER

FASERFIX®
KS

RECYFIX®
PLUS X

RECYFIX®
INC

RECYFIX®
MONOTECH

RECYFIX®
HICAP®F

FASERFIX®
POINT KS

FASERFIX®
TRAFFIC GUGIBLOC
RECYFIX®
TRAFFIC GUGIBLOC

SERVICE
CHANNEL

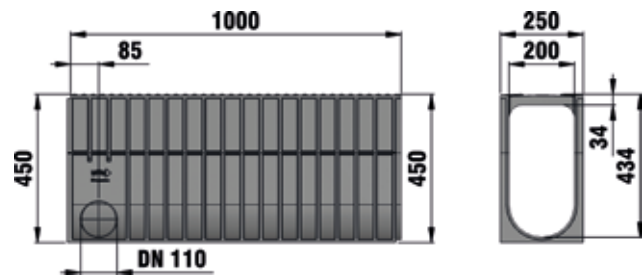
KERBFIX 305

RECYFIX® MONOTEC 200

Monolithic channel

RECYFIX® MONOTEC 200, up to class D 400

Type 450, 1,0 m

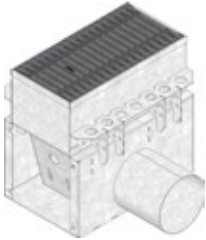


	Length mm	Width mm	Height mm	Internal channel cross-sect. cm ²	Intake cross-sect. cm ² /m	Weight kg	Item No.
Type 450, 1,0 m	1000	250	450	746	656	16,31	36215

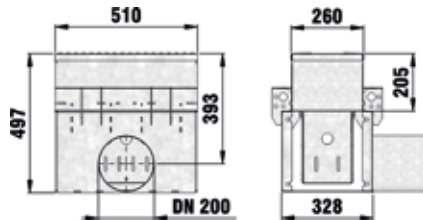
RECYFIX® MONOTEC 200

Accessories

Trash boxes



Trash box with galvanised bucket



Looking handle with screw for protection against vandalism



Connection plate with screw set, galvanised, channel type 450



Closing cap with screw set, galvanised, for trash box/inspection box

	Length mm	Width mm	Height mm	Weight kg	Item No.
Trash box with galvanised bucket	510	260	497	42,70	36245
Looking handle with screw for protection against vandalism	-	206	120	0,24	36298
Connection plate with screw set, galvanised, channel type 450	-	316	283	1,18	36247
Connection plate with screw set, galvanised, for RECYFIX MONOTEC 100 type 380	-	316	283	1,55	36147
Closing cap with screw set, galvanised, for trash box/inspection box	-	316	283	1,50	36223

All trash and inspection boxes are factory-made with the end face open to enable a modular use for all application situations:

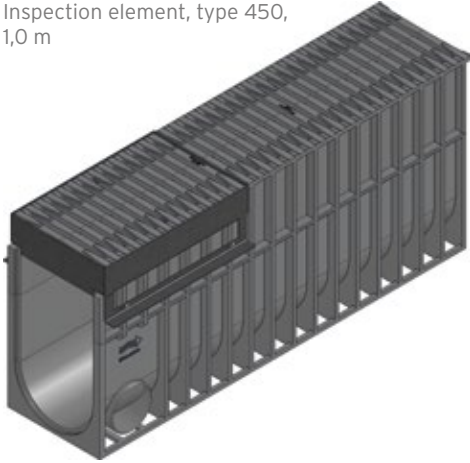
- Option 1: one-sided channel connection: You will need 1 connection plate with the same channel height (= same type) and an closing cap.
- Option 2: two-sided channel connection: You will need 2 connection plates with the same channel height (= same type).

RECYFIX® MONOTEC 200

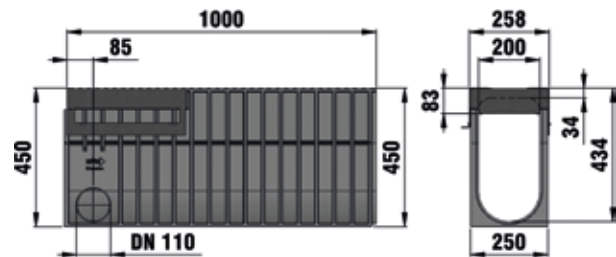
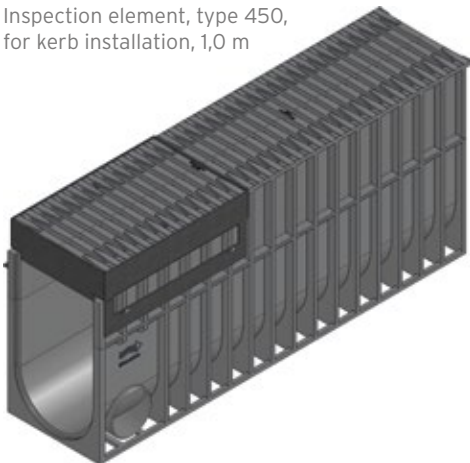
Accessories

Inspection elements

Inspection element, type 450,
1,0 m



Inspection element, type 450,
for kerb installation, 1,0 m



	Length mm	Width mm	Height mm	Internal channel cross-sect. cm ²	Intake cross-sect. cm ² /m	Weight kg	Item No.
Inspection element, type 450, 1,0 m	1000	258	450	648	307	19,69	36262
Inspection element, type 450, for kerb installation, 1,0 m	1000	258	450	648	307	19,22	36266

RECYFIX® MONOTEC 200

End caps



End cap closed, galvanised, type 450



End cap with horizontal PVC-U pipe outlet DN/OD 110, galvanised, type 450

	Length mm	Width mm	Height mm	Weight kg	Item No.
End cap closed, galvanised, type 450	-	250	441	1,75	36286
End cap with horizontal PVC-U pipe outlet DN/OD 110, galvanised, type 450	-	250	441	1,87	36296

Further accessories

	Length mm	Width mm	Height mm	Weight kg	Item No.
Universal sealant/adhesive Siga-Meltell® 320 black**	-	-	-	0,97	19051
Tubular pistol for universal sealant/adhesive Siga-Meltell® 320 black**	-	-	-	1,30	6891

**Amount needed for Type 450: approx. 42 ml per joint

FASERFIX®
SUPER

FASERFIX®
KS

RECYFIX®
PLUS X

RECYFIX®
INC

RECYFIX®
MONOTEC

RECYFIX®
HICAP®F

FASERFIX®
POINT KS

FASERFIX®
TRAFFIC GUGIBLOC
RECYFIX®
TRAFFIC GUGIBLOC

SERVICE
CHANNEL

KERBFIX 305

RECYFIX HICAP F

High capacity drainage system for the highest load category.



**Yas Marina Circuit,
Abu Dhabi, U.A.E.**



RECYFIX HICAP F

High capacity drainage system for the highest load category.

1 Requirements

Drainage system for extreme conditions with

- high hydraulic requirements
- high loads
- large areas
- ailing sewer systems

2 Application areas

- parking areas
- supermarkets/shopping centres
- pedestrian areas
- airports
- industrial estates
- container terminals
- ports
- circuits and test tracks

3 Solutions

Special features of RECYFIX HICAP:

- drainage and retention in one component
- large selection of nominal widths
- for all loading classes and all common road surface finishes
- variety of variants:
 - stainless steel slot & design grating WAVE
 - ductile iron slots
- less manholes and outlets
- provides an uniform visual appearance also in large projects
- no separate gratings
- no expensive pipe installations required
- high hydraulic capacity
- easy to maintain



Chopin Airport, Warsaw, Poland



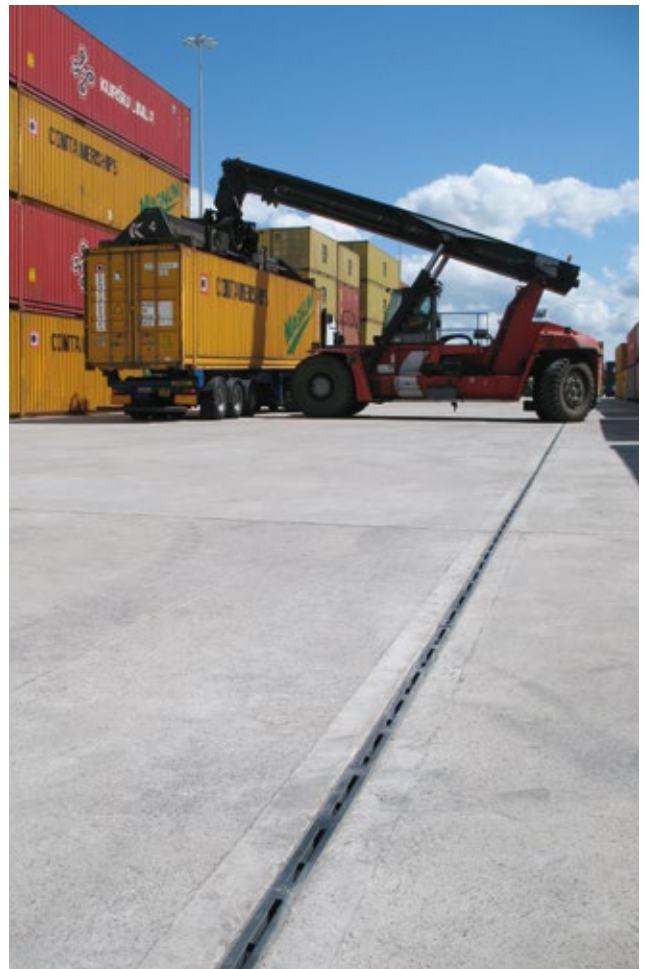
Pedestrian area, Poland



Skyscraper ZLOTA 44 in Warsaw, Poland



Viettel company headquarters, Hanoi, Vietnam



Teesport Container Terminal, UK

FASERFIX® SUPER
FASERFIX® KS
RECYFIX® PLUS X
RECYFIX® INC
RECYFIX® MONOTEC
RECYFIX® HICAP-F
FASERFIX® POINT KS
FASERFIX® TRAFFIC GUGBLOC RECYFIX® TRAFFIC GUGBLOC
SERVICE CHANNEL
KERBFIX 305

RECYFIX HICAP F

Water drainage and retention.

Retention

The design of RECYFIX HICAP, channels is unique due to its high hydraulic efficiency which ensures additional retention capacity. The system simultaneously performs three tasks:

- drains water, even from large areas
- stores excessive amounts of water
- channels water to the discharge point

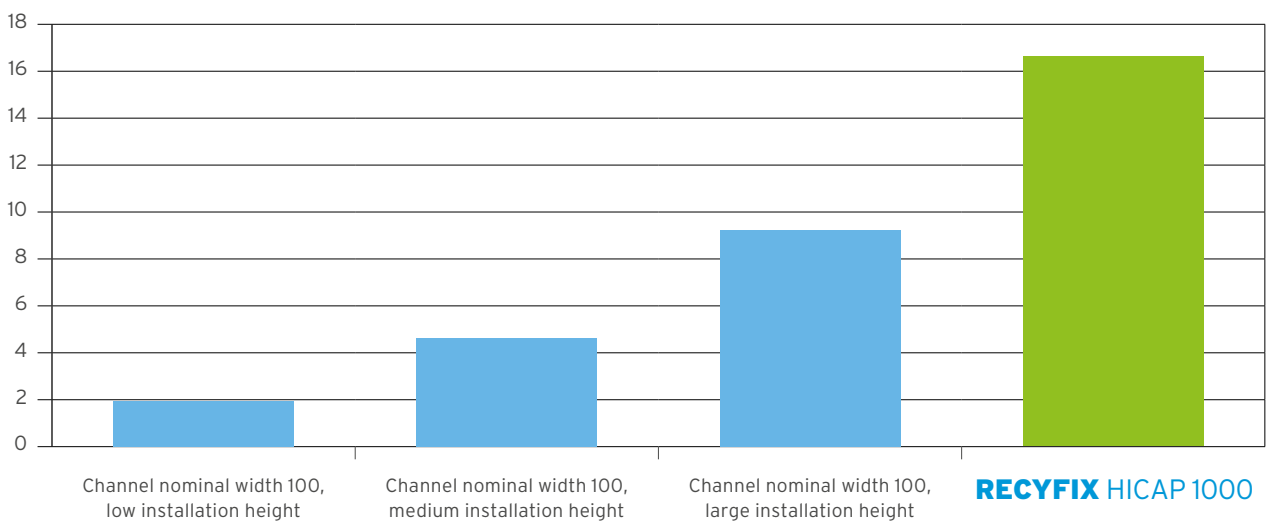
RECYFIX HICAP, eliminates the need for additional storage reservoirs.

Modular design - low number of connections

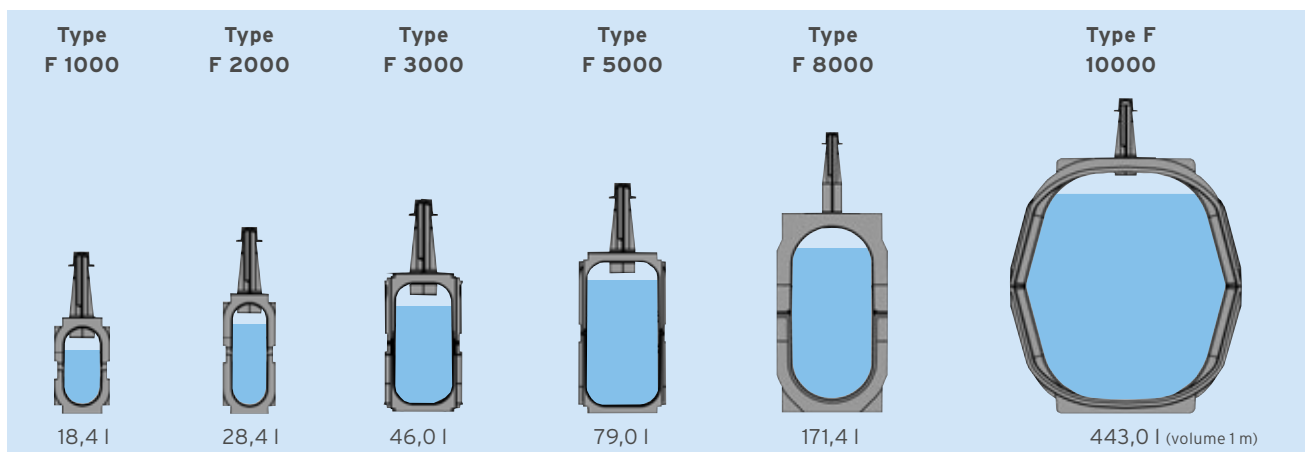
RECYFIX HICAP, is so effective because large areas can be implemented with one single channel run. Starting with a nominal width of 100 mm it offers the option to expand up to 680 mm.

Drainage wells can be installed in any chosen location used for connecting channels to sewage systems or for connecting other drainage channels - it can also be used as a pumping well/chamber.

Comparison of flow capacity l/s



Range of RECYFIX HICAP



A practical example:

The following practical example demonstrates the large drainage- and retention capacity of RECYFIX HICAP channels:

Logistics Centre Plovdiv, Bulgaria

Channel length: 356 m, divided:

- 66 m RECYFIX HICAP F 5000 Type 5300, slot 28 mm
- 136 m RECYFIX HICAP F 8000 Type 8300, slot 28 mm
- 154 m RECYFIX HICAP F 10000 Type 10300, slot 28 mm

Total drainage area: 10,730 m²

Runoff coefficient (specified by the planner): 0.85

Rain yield factor (specified by the planner): 300 l/s ha

→ **Discharge capacity at end of channel run: 252 l/s**

One single channel run drains a surface of more than 10,000 m², directs the entire water amount over more than 356 m and at the end releases it into the public sewer at one single point at a rate of 252 l/s.



FASERFIX®
SUPER

FASERFIX®
KS

RECYFIX®
PLUS X

RECYFIX®
INC

RECYFIX®
MONOTEC

RECYFIX®
HICAP-F

FASERFIX®
POINT KS

FASERFIX®
TRAFFIC GUGIBLOC
RECYFIX®
TRAFFIC GUGIBLOC

SERVICE
CHANNEL

KERBFIX 305

RECYFIX HICAP F

Water drainage and retention.

Sample calculation

RECYFIX HICAP F, ductile iron mesh 13/28

The hydraulic advantages of RECYFIX HICAP channels can be demonstrated by the following calculation:

Inlet capacity of a ductile iron mesh 13/28 mm grating, determined at Prague Technical University:

4.0 l/s per metre

Frequently occurring yield from rain events:

150 l/s per hectare

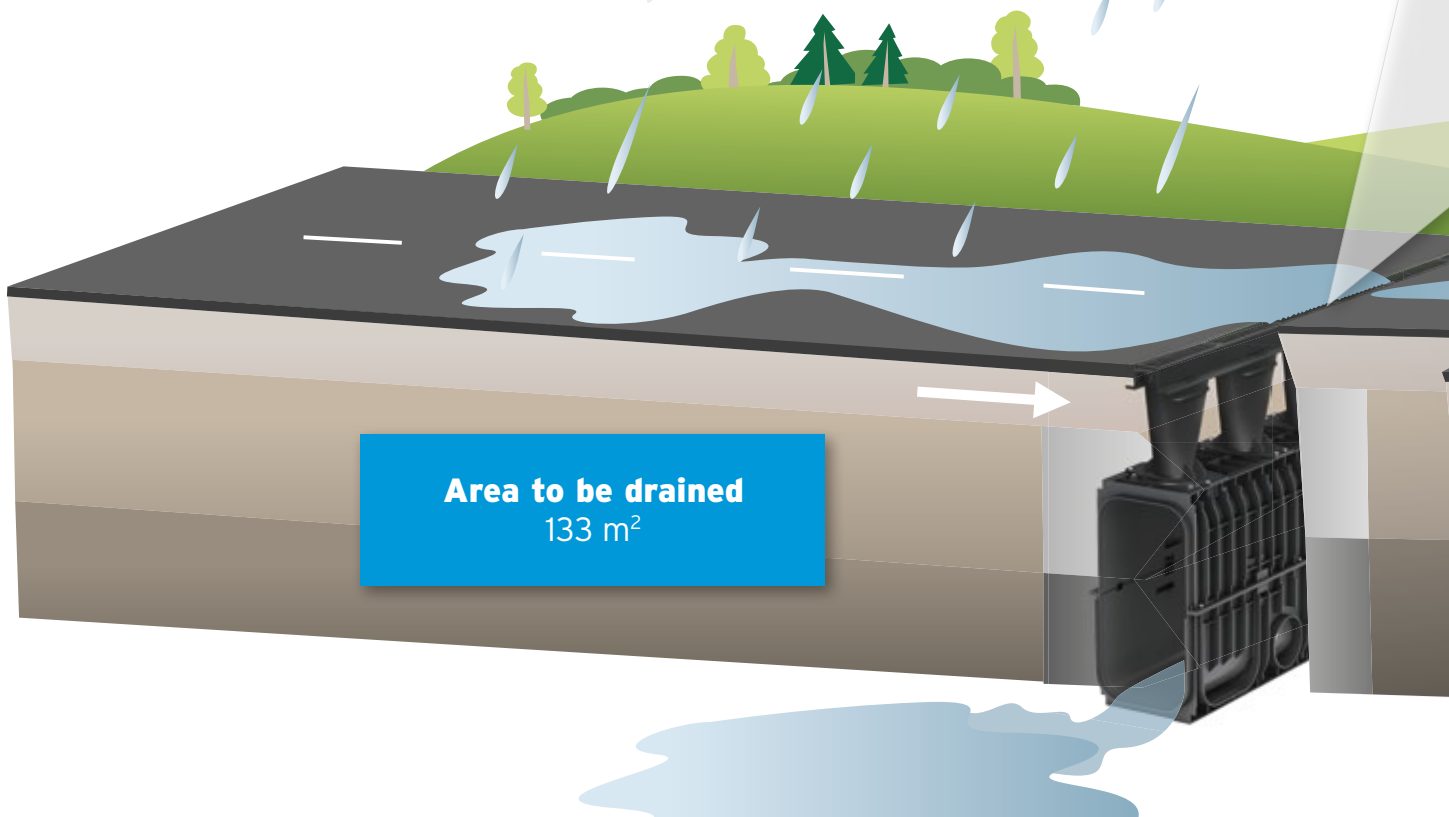
150 l/s ha = 0.015 l/s m²

$\frac{4.0 \text{ l/s m}}{0.015 \text{ l/s m}^2} = 266.67 \text{ m}^2$

Result of this example:

1 m RECYFIX HICAP channel with ductile iron mesh 13/28 mm grating can discharge the rainwater from 266.67 m² when the yield is 150 litres per second and hectare.







Rain event
150 l/s per hectare



Area to be drained
133 m²

Inlet capacity of RECYFIX HICAP F

(applies to all nominal widths)

stainless steel slot 24 mm		5.8 l/s per metre
stainless steel design grating WAVE 6 mm		2.3 l/s per metre
ductile iron slot 6 mm		3.1 l/s per metre
ductile iron mesh 13/28 mm		5.8 l/s per metre
ductile iron slot 28 mm		6.8 l/s per metre
ductile iron slot 14 mm		4.6 l/s per metre

measured during excess backwater testing at 10 mm

**Flow capacity
of mesh
13/28 mm - 4.0 l/s per metre**

**Area to be drained
133 m²**

FASERFIX[®]
SUPER

FASERFIX[®]
KS

RECYFIX[®]
PLUS X

RECYFIX[®]
INC

RECYFIX[®]
MONOTEC

RECYFIX[®]
HICAP-F

FASERFIX[®]
POINT KS

FASERFIX[®]
TRAFFIC GUGIBLOC
RECYFIX[®]
TRAFFIC GUGIBLOC

SERVICE
CHANNEL

KERBFIX 305

YOUR BENEFITS WITH RECYFIX HICAP F

FAST AND EASY INSTALLATION

- easy to handle and install without heavy lifting equipment
- innovative Link&Lock grating connection for easy and quick straight channel alignment
- integrated tongue and groove joint
- PP channel body can be cut, drilled and worked easily on site
- reduced pipe-work installations

= TIME- & COST SAVINGS



INDIVIDUAL SOLUTIONS

- accommodates radius installation
- wide range of uniform design gratings in KTL ('cathodic dip' coated) and stainless steel
- configurable as 'constant-depth' or 'stepped-fall'
- cable and pipe installations can be laid through throat voids between funnels
- ductile iron top on the surface can be interrupted while channels continue underground

= DESIGN FLEXIBILITY



VARIOUS CONNECTION POSSIBILITIES

- end cap with channel connection option
- simple possibility for preparation of corner and T-connections in connection with the trash box
- step-fall connector for connecting the next nominal width
- various pre-formed pipe-connections for added flexibility

= DESIGN FLEXIBILITY / PERFORMANCE ASSURED



HIGH RESISTANCE

- high-level resistance to fuels/oils, frost, salt and UV-rays
- withstands high temperature differences
- fit-for-purpose in climate temperatures ranging from minus - 50 °C to + 80 °C and more
- gratings in spheroidal ductile iron (KTL 'cathodic dip' coated); for high impact/corrosion resistance

= QUALITY ASSURED & LONGEVITY



LARGE RETENTION VOLUME

- drainage and retention in one component
- high capacity and back-pressure capacity due to a variety of nominal widths
- fewer chamber and pipe connections required

= PERFORMANCE ASSURED / COST SAVINGS



HIGH-GRADE MATERIAL

- top inlet made of high-quality ductile iron → much higher tensile and compressive strength than channels made of polymer/resin concrete
- high-grade **RECYFIX** channel components from very light and almost unbreakable material
- 100 % recycled PP composite body (and 100 % recyclable) for full environmental standards compliance
- smooth inner surface for superior flow characteristics
- 0 % water absorption

= QUALITY- & PERFORMANCE ASSURED



HIGH STABILITY

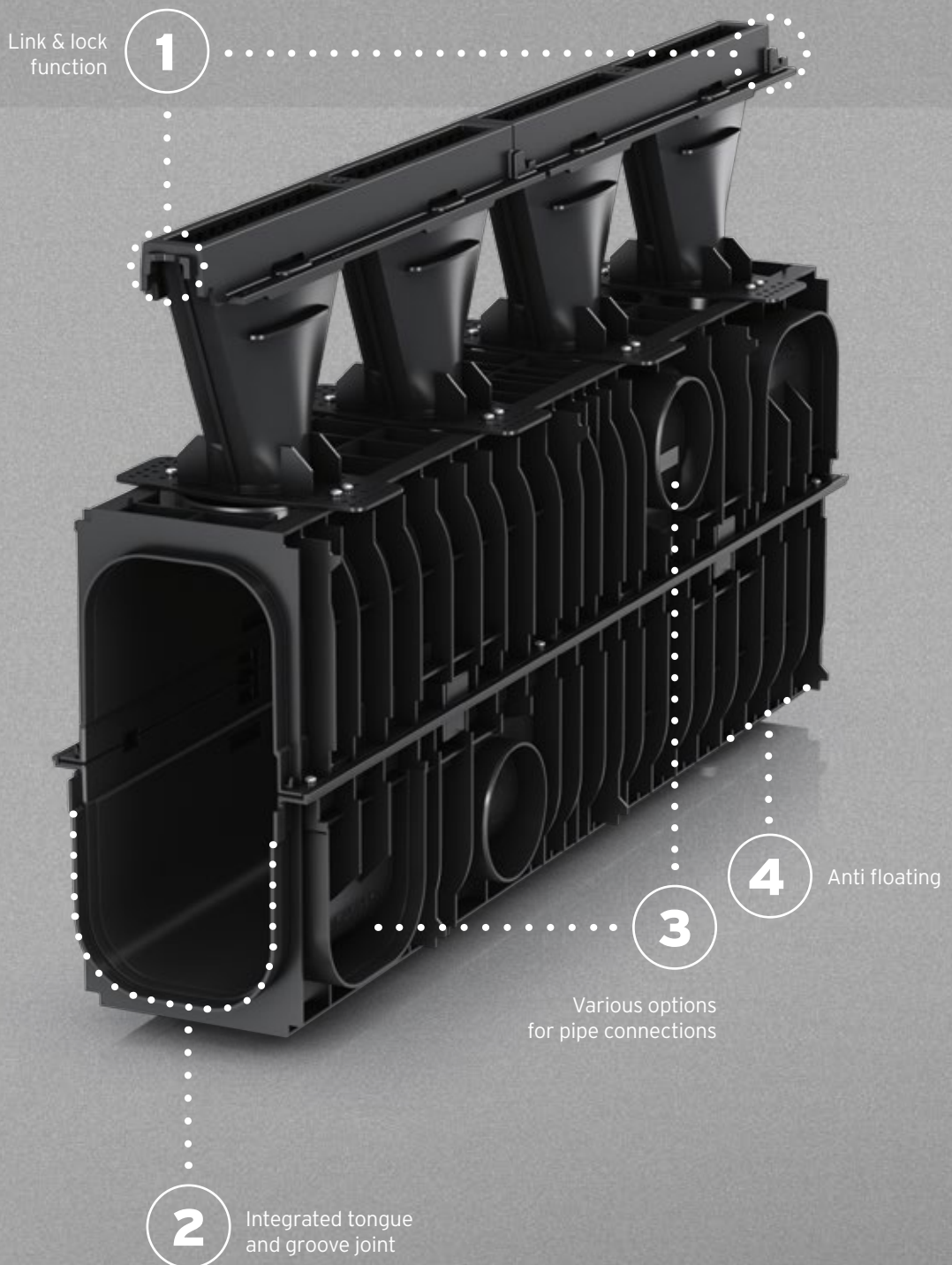
- designed for superior resistance to dynamic forces and loads up to class F 900
- torsion-free ribs and throat voids for additional structural integrity and rigidity

= PERFORMANCE ASSURED



IDEAL FOR ...

drainage and retention for the highest load areas, such as airports, industrial estates and container terminals.



RECYFIX HICAP F

High capacity drainage system for the highest load category.

RECYFIX HICAP channels meet the requirements of DIN EN 1433 and are suitable for the following load categories:



Category
A 15



Category
B 125



Category
C 250



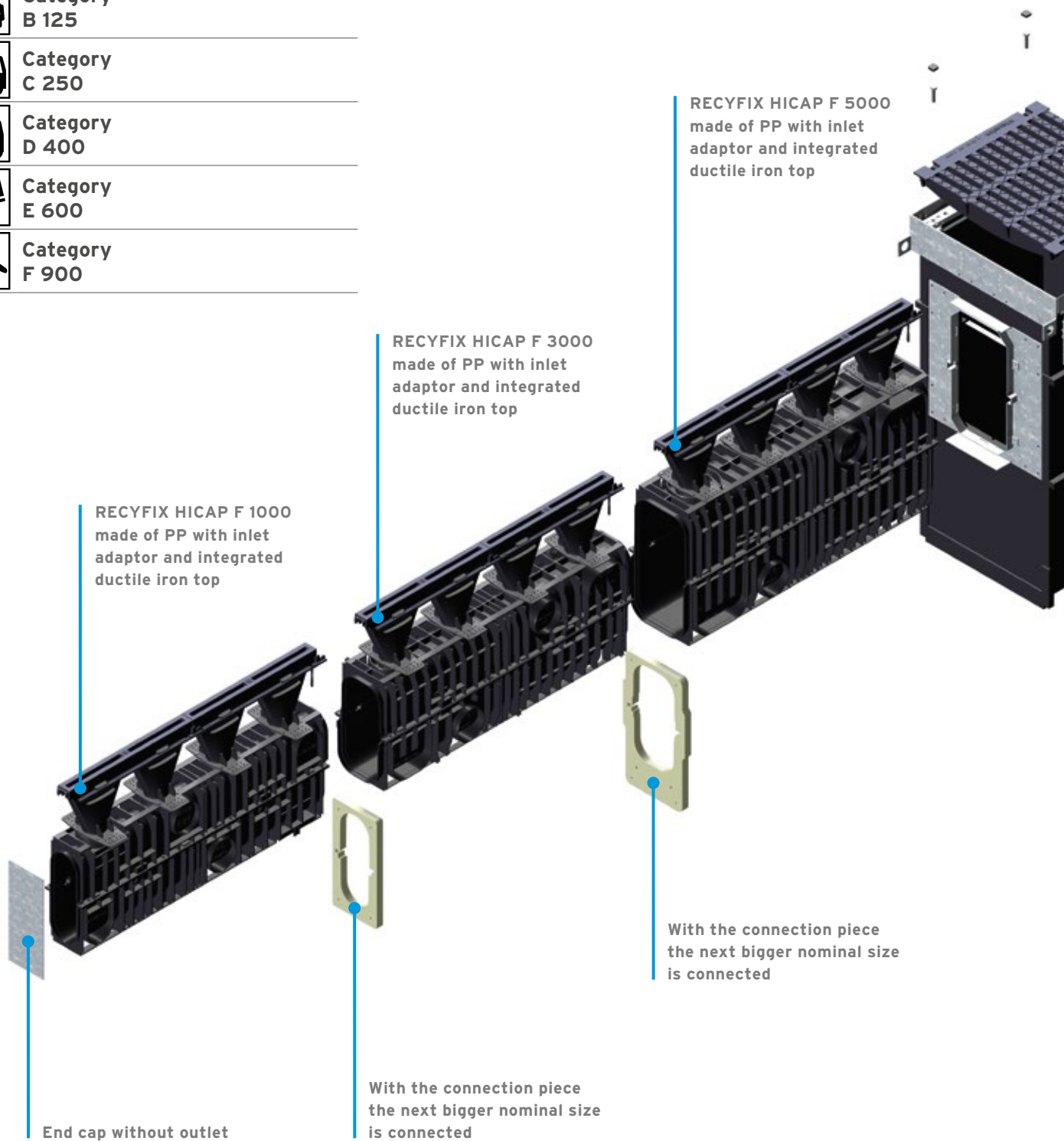
Category
D 400

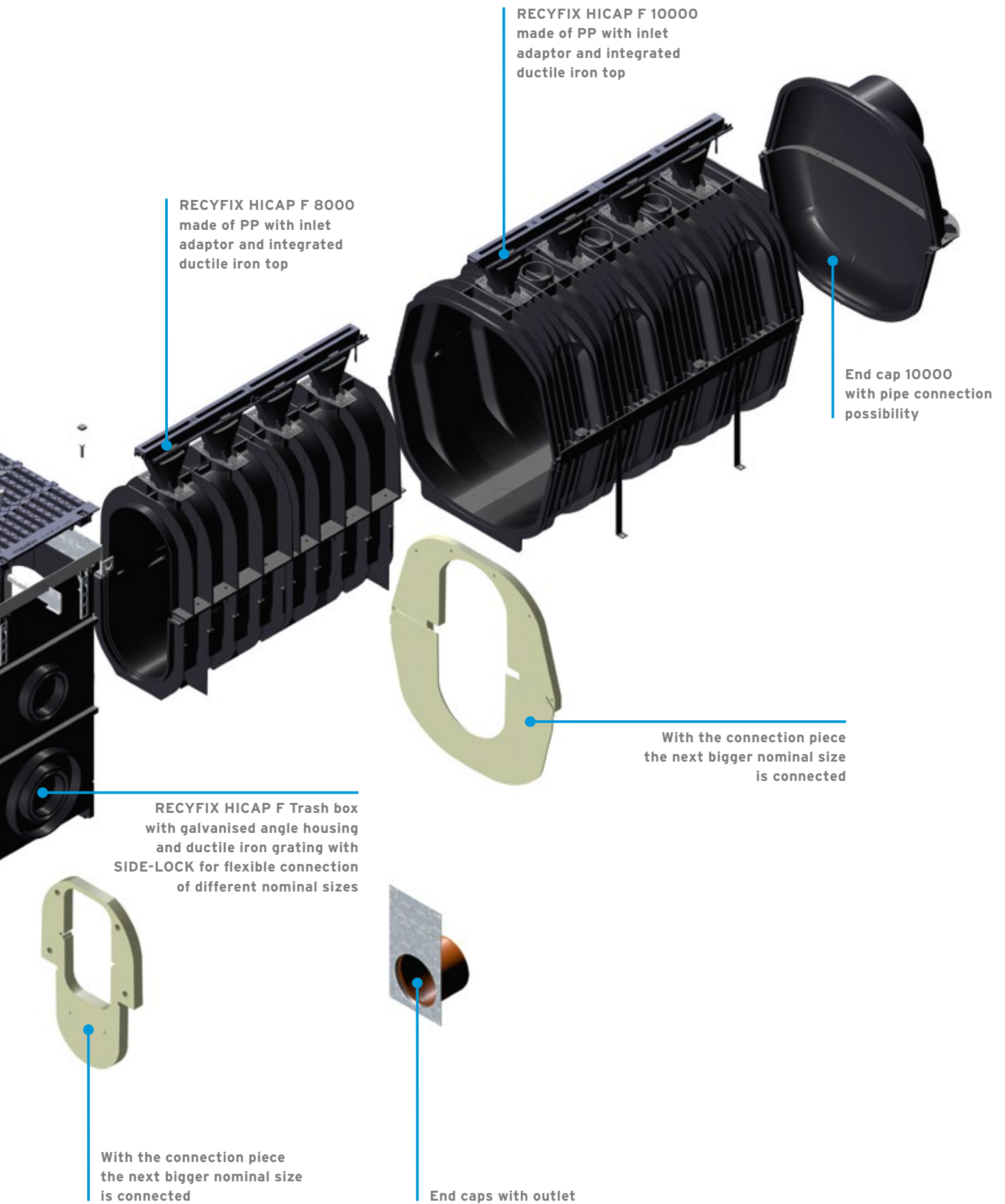


Category
E 600



Category
F 900





FASERFIX® SUPER
FASERFIX® KS
RECYFIX® PLUS X
RECYFIX® INC
RECYFIX® MONOTEC
RECYFIX® HICAP-F
FASERFIX® POINT KS
FASERFIX® TRAFFIC GUGIBLOC RECYFIX® TRAFFIC GUGIBLOC
SERVICE CHANNEL
KERBFIX 305

RECYFIX HICAP F

**Effectively drained - modularly built.
Drainage and retention system for larger areas.**

Report from the field: RECYFIX HICAP F channels for Heathrow Airport, London

With 67 million travellers annually, Heathrow Airport in London is Europe's busiest airport. Worldwide it takes third place behind Atlanta and Chicago. This important hub in international air traffic is operated by BAA, British Airports Authority, the largest airport operator worldwide. 75 % of the British Airways fleet is based at Heathrow Airport.



At the southern section of the airport the British Airways service park was expanded. The construction site abutted right on the runway and taxiway. The demands on the new service site were immense: here airplanes of all types and sizes pass - including the Airbus A380, which was

also a main reason for the reconstruction. The aircraft tugs alone weigh 80 tons and, just as the airplanes, drive and turn on the traffic areas. The demands on the drainage systems are accordingly high.

Project progress

In 1999 BAA was supplied with FASERFIX SUPER channels for the Gatwick airport and installed in the British Airways hangars and Concorde maintenance hangars. One year later, FASERFIX SUPER KS 100 channels were delivered to London City Airport. The assigned engineering office was very satisfied with the quality and service. In 2003 BAA broached the topic of installation and handling of drainage systems. The main topic of the discussions was the extreme weight of the products and the associated high employment of machines during installation.

On multiple occasions, HAURATON contacted various departments of BAA and presented the advantages of RECYFIX products (lightweight, easy handling, meets British "Health and Safety Regulations" = One-man-lift = max. 25 kg). Drainage channels from this line were presented in various meetings and BAA decided across the board to work with HAURATON in the area of RECYFIX.



RECYFIX HICAP F - eco-friendly and 'easy to handle'

Another key criterion for BAA was recycling. Airport planning and operation are subject to stringent environmental requirements. Products made of recycled plastic are therefore especially suited.

Suppliers routinely need to present BAA with product innovations which offer cost savings in installation and maintenance. In 2006 the time came for HAURATON to present the new line RECYFIX HICAP. The feedback was very positive, with BAA immediately recognising the resulting advantage in installation and maintenance, and the installation at Heathrow was decided.

Installed items

- 380 m RECYFIX HICAP F 8000
- 100 m RECYFIX HICAP F 5000
- 100 m RECYFIX HICAP F 3000



Lightweight elements, installed by one single worker.

Other examples of RECYFIX HICAP F



FASERFIX®
SUPER

FASERFIX®
KS

RECYFIX®
PLUS X

RECYFIX®
INC

RECYFIX®
MONOTEC

RECYFIX®
HICAP-F

FASERFIX®
POINT KS

FASERFIX®
TRAFFIC GUGIBLOC
RECYFIX®
TRAFFIC GUGIBLOC

SERVICE
CHANNEL

KERBFIX 305

RECYFIX HICAP F

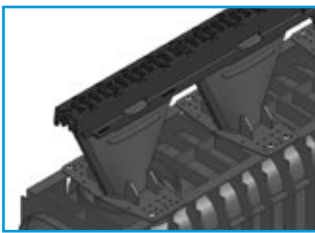
High capacity drainage system for the highest load category.

Inlet slots of RECYFIX HICAP F system

System RECYFIX HICAP F offers a wide selection of inlet slots.

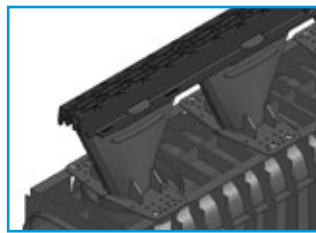
- slots are joined in an innovative way to ensure stability and facilitate the installation process
- wide range of design solutions provides designers with many customization options for planned investments.
- all standard inlet slots are protected by KTL-coating which prevents oxidation of iron and ensures long term preservation of their black colour.
- galvanized iron grating is also available in silver colour.
- top-class aesthetics when using stainless steel gratings.

Ductile iron gratings



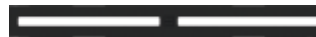
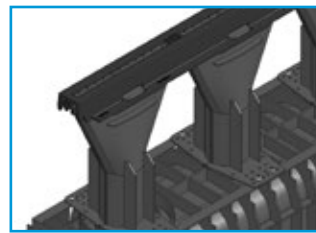
Slot 13/28 mm

- KTL-coating
- slot size 13 x 28 mm
- intake cross-sect
172 cm²/m
- application:
road surfaces



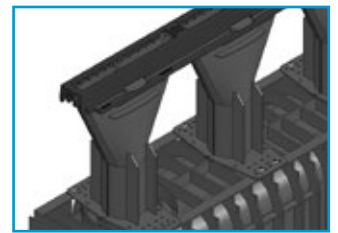
Slot 6 mm

- KTL-coating
- slot size 5 x 51 mm
- intake cross-sect
154 cm²/m
- application:
pedestrian traffic



Slot 14 mm

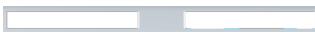
- KTL-coating
- slot size 14 x 221 mm
- intake cross-sect
124 cm²/m
- application:
industrial areas



Slot 28 mm

- KTL-coating
- slot size 28 x 221 mm
- intake cross-sect.
248 cm²/m
- application:
industrial areas

Stainless steel gratings



Slot 24 mm

- slot size 24 x 221 mm
- intake cross-sect
211 cm²/m
- application:
industrial areas



Design grating WAVE 6 mm

- maximum slot width 6,5 mm
- intake cross-sect
78 cm²/m
- application:
prestigious areas/pedestrian areas

Discontinuous design

Inlet elements don't have to be installed on every channel's body. The draining line is continuous under the surface, but its top part may be covered.



Customized solutions

All elements of the system can be adapted to the individual requirements and building conditions of a given project. Both the height of the channels and the preparation of special solutions can be adjusted:

- gratings design (individual pattern of stainless steel inlet slot),
- covers for trash boxes,
- or angular connections of channels.



Special solution for Bałtyk Tower in Poznań.

FASERFIX®
SUPER

FASERFIX®
KS

RECYFIX®
PLUS X

RECYFIX®
INC

RECYFIX®
MONOTEC

RECYFIX®
HICAP-F

FASERFIX®
POINT KS

FASERFIX®
TRAFFIC GUGIBLOC
RECYFIX®
TRAFFIC GUGIBLOC

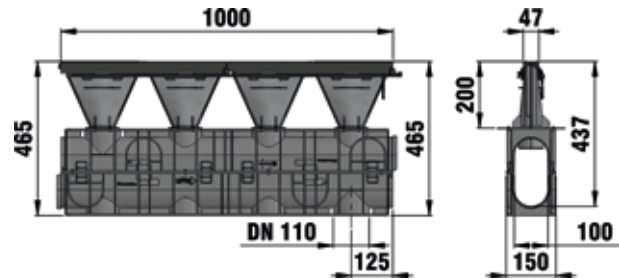
SERVICE
CHANNEL

KERBFIX 305

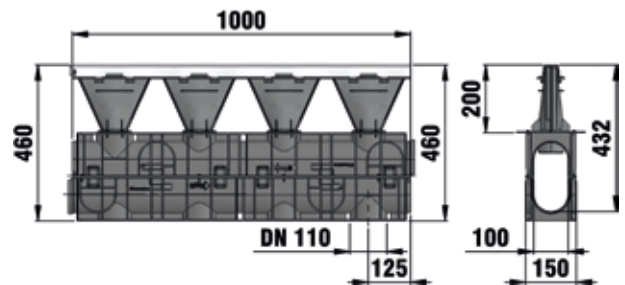
RECYFIX®HICAP®F 1000

RECYFIX®HICAP®F 1000 up to load class D 400

Type 1200, ductile iron
slot 6 mm, 1,0 m



Type 1200, stainless steel
design grating WAVE 6 mm,
1,0 m

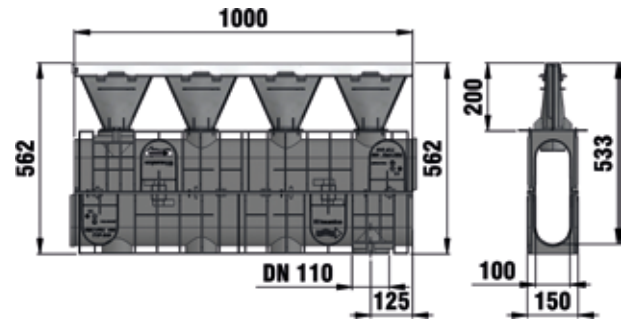


	Length mm	Width mm	Height mm	Internal channel cross-sect. cm ²	Intake cross-sect. cm ² /m	Funnel H mm	Weight kg	Item No.
Type 1200, ductile iron slot 6 mm, 1,0 m	1000	150	465	184	129	200	10,75	13000
Type 1200, stainless steel design grating WAVE 6 mm, 1,0 m	1000	150	460	184	44	200	8,70	13026

RECYFIX®HICAP®F 1000

RECYFIX®HICAP®F 1000 up to load class E 600

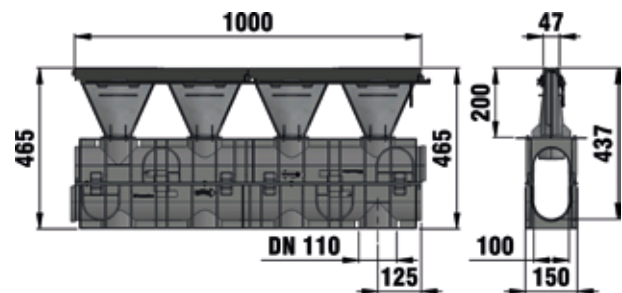
Type 1200, stainless steel
slot 24 mm, 1,0 m



	Length mm	Width mm	Height mm	Internal channel cross-sect. cm ²	Intake cross-sect. cm ² /m	Funnel H mm	Weight kg	Item No.
Type 1200, stainless steel slot 24 mm, 1,0 m	1000	150	460	184	211	200	8,50	13029

RECYFIX®HICAP®F 1000 up to load class F 900

Type 1200, ductile iron
slot 28 mm, 1,0 m



	Length mm	Width mm	Height mm	Internal channel cross-sect. cm ²	Intake cross-sect. cm ² /m	Funnel H mm	Weight kg	Item No.
Type 1200, ductile iron mesh 13/28 mm, 1,0 m	1000	150	465	184	172	200	10,75	13025
Type 1200, ductile iron slot 28 mm, 1,0 m	1000	150	465	184	248	200	9,91	13035
Type 1200, ductile iron slot 14 mm, 1,0 m	1000	150	465	184	124	200	10,75	13023

FASERFIX®
SUPER

FASERFIX®
KS

RECYFIX®
PLUS X

RECYFIX®
INC

RECYFIX®
MONOTEC

RECYFIX®
HICAP-F

FASERFIX®
POINT KS

FASERFIX®
TRAFFIC GUGIBLOC
RECYFIX®
TRAFFIC GUGIBLOC

SERVICE
CHANNEL

KERBFIX 305

RECYFIX®HICAP®F 1000

RECYFIX®HICAP®F 1000, Accessories



End cap closed,
galvanised, type 1000

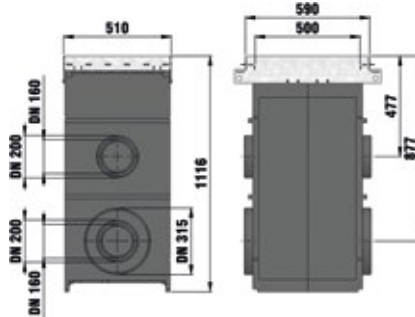


End cap with PVC-U pipe
outlet DN/OD 110, galvanised,
type 1000

	Length mm	Width mm	Height mm	Weight kg	Item No.
End cap closed, galvanised, type 1000	-	140	250	0,54	13013
End cap with PVC-U pipe outlet DN/OD 110, galvanised, type 1000	-	140	250	1,20	13018
Chamber connector for RECYFIX HICAP F 1000, 1 m	1000	150	260	3,87	13096

RECYFIX®HICAP®F 1000

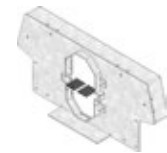
RECYFIX®HICAP®F Trash boxes



Trash box with ductile iron grating
SW 3 x 140/20 mm, class E 600,
up to type 8000



Trash box connector
incl. assembling,
RECYFIX HICAP F 1000



Adapter plate
with assembling set,
for shaft construction,
Type 1000

	Length mm	Width mm	Height mm	Weight kg	Item-No. galvanised	Item-No. stainless steel
Trash box with ductile iron grating SW 3 x 140/20 mm, class E 600, up to type 8000	510	590	1116	101,00	16500	32191
Trash box with ductile iron solid grating, class E 600, up to type 8000	510	590	1116	103,50	16505	32192
Trash box with ductile iron grating SW 3 x 140/20 mm, class F 900, up to type 8000	510	590	1116	101,84	32695	32696
Trash box connector incl. assembling, RECYFIX HICAP F 1000	-	-	-	2,73	881	-
Shaft for channel connection up to type 10000	1120	1120	880	54,00	32000	-
Compensating ring, class D 400	608	608	110	16,18	32885	-
Compensating ring, class F 900	608	608	210	20,98	32001	-
Shaft cover, class D 400	850	850	100	105,00	32886	-
Shaft cover, class F 900	850	850	-	-	32167	-
Adapter plate with assembling set, for shaft construction, Type 1000	-	590	268	-	10153	-

FASERFIX®
SUPER

FASERFIX®
KS

RECYFIX®
PLUS X

RECYFIX®
INC

RECYFIX®
MONOTEC

RECYFIX®
HICAP-F

FASERFIX®
POINT KS

FASERFIX®
TRAFFIC GUGIBLOC
RECYFIX®
TRAFFIC GUGIBLOC

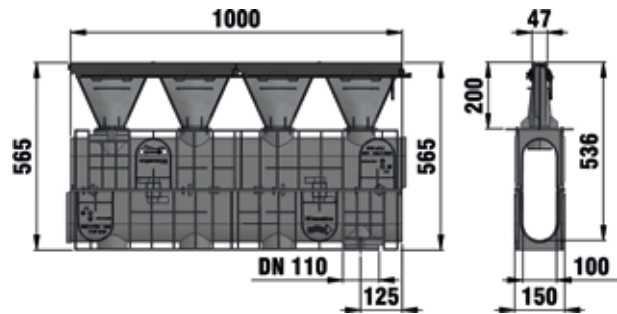
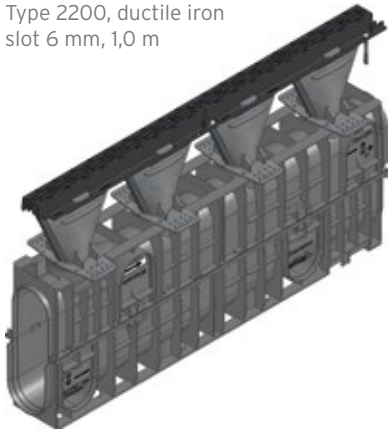
SERVICE
CHANNEL

KERBFIX 305

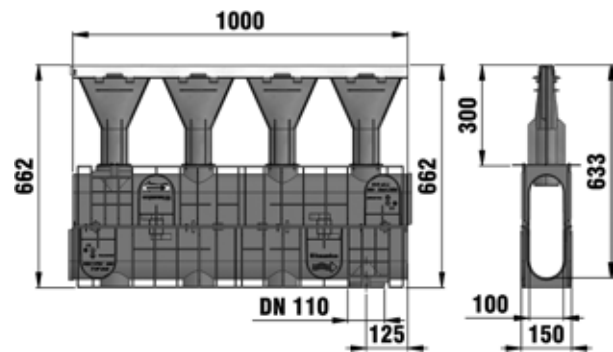
RECYFIX®HICAP®F 2000

RECYFIX®HICAP®F 2000 up to load class D 400

Type 2200, ductile iron
slot 6 mm, 1,0 m



Type 2200, stainless steel
design grating WAVE
6 mm, 1,0 m

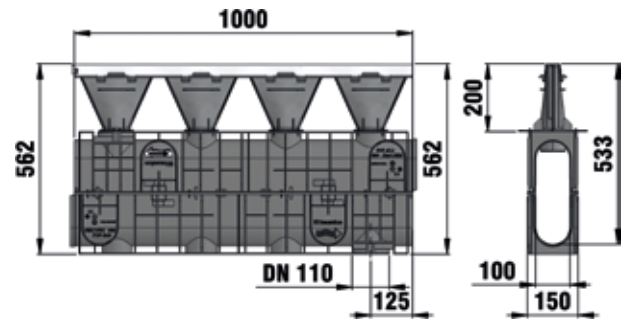


	Length mm	Width mm	Height mm	Internal channel cross-sect. cm ²	Intake cross-sect. cm ² /m	Funnel H mm	Weight kg	Item No.
Type 2200, ductile iron slot 6 mm, 1,0 m	1000	150	565	284	129	200	13,20	13010
Type 2200, stainless steel design grating WAVE 6 mm, 1,0 m	1000	150	562	284	44	200	10,41	13022

RECYFIX®HICAP®F 2000

RECYFIX®HICAP®F 2000 up to load class E 600

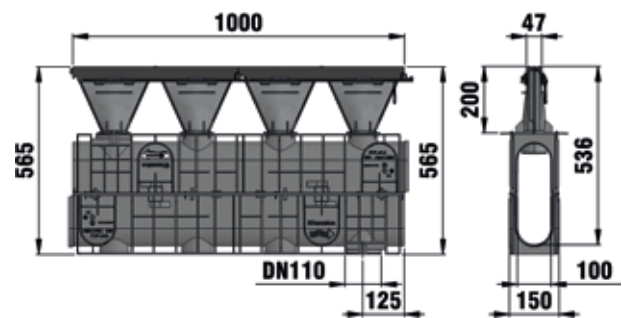
Type 2200, stainless steel
slot 24 mm, 1,0 m



	Length mm	Width mm	Height mm	Internal channel cross-sect. cm ²	Intake cross-sect. cm ² /m	Funnel H mm	Weight kg	Item No.
Type 2200, stainless steel slot 24 mm, 1,0 m	1000	150	562	284	211	200	10,21	13024

RECYFIX®HICAP®F 2000 up to load class F 900

Type 2200, ductile iron
mesh 13/28 mm, 1,0 m



	Length mm	Width mm	Height mm	Internal channel cross-sect. cm ²	Intake cross-sect. cm ² /m	Funnel H mm	Weight kg	Item No.
Type 2200, ductile iron mesh 13/28 mm, 1,0 m	1000	150	565	284	168	200	13,10	13020
Type 2200, ductile iron slot 28 mm, 1,0 m	1000	150	565	284	247	200	11,14	13030
Type 2200, ductile iron slot 14 mm, 1,0 m	1000	150	565	284	123	200	11,51	13028

FASERFIX®
SUPER

FASERFIX®
KS

RECYFIX®
PLUS X

RECYFIX®
INC

RECYFIX®
MONOTEC

RECYFIX®
HICAP-F

FASERFIX®
POINT KS

FASERFIX®
TRAFFIC GUGBLOC
RECYFIX®
TRAFFIC GUGBLOC

SERVICE
CHANNEL

KERBFIX 305

RECYFIX®HICAP®F 2000

RECYFIX®HICAP®F 2000, Accessories



End cap closed,
galvanised, type 2000



End cap with PVC-U pipe
outlet DN/OD 110, galvanised,
type 2000



Step-fall ramp, stainless steel,
from RECYFIX HICAP 2000
to RECYFIX HICAP 1000

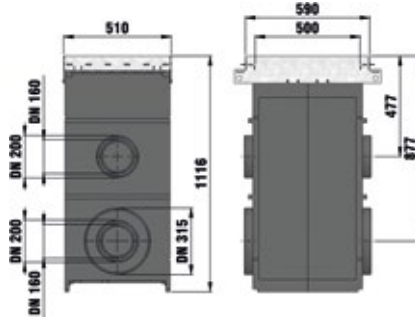
	Length mm	Width mm	Height mm	Weight kg	Item No.
End cap closed, galvanised, type 2000	-	140	350	0,77	13012
End cap with PVC-U pipe outlet DN/OD 110, galvanised, type 2000	-	140	350	2,00	13015
Step-fall connector from RECYFIX HICAP F 2000 to RECYFIX HICAP F 1000	-	179	362	1,00	13019
Step-fall ramp, stainless steel, from RECYFIX HICAP F 2000 to RECYFIX HICAP F 1000	99	97	95	0,25	13195
Chamber connector for RECYFIX HICAP F 2000, 1 m	1000	150	362	5,09	13091

RECYFIX®HICAP®F 2000

RECYFIX®HICAP®F Trash boxes



Trash box with ductile iron grating
SW 3 x 140/20 mm, class E 600,
up to type 8000



Trash box connector
incl. assembling,
RECYFIX HICAP F 2000



Adapter plate
with assembling set,
for shaft construction,
Type 2000

	Length mm	Width mm	Height mm	Weight kg	Item-No. galvanised	Item-No. stainless steel
Trash box with ductile iron grating SW 3 x 140/20 mm, class E 600, up to type 8000	510	590	1116	101,00	16500	32191
Trash box with ductile iron solid grating, class E 600, up to type 8000	510	590	1116	103,50	16505	32192
Trash box with ductile iron grating SW 3 x 140/20 mm, class F 900, up to type 8000	510	590	1116	101,84	32695	32696
Trash box connector incl. assembling, RECYFIX HICAP F 2000	-	-	-	4,10	882	-
Shaft for channel connection up to type 10000	1120	1120	880	54,00	32000	-
Compensating ring, class D 400	608	608	110	16,18	32885	-
Compensating ring, class F 900	608	608	210	20,98	32001	-
Shaft cover, class D 400	850	850	100	105,00	32886	-
Shaft cover, class F 900	850	850	-	-	32167	-
Adapter plate with assembling set, for shaft construction, Type 2000	-	590	370	-	10154	-

FASERFIX®
SUPER

FASERFIX®
KS

RECYFIX®
PLUS X

RECYFIX®
INC

RECYFIX®
MONOTEC

RECYFIX®
HICAP-F

FASERFIX®
POINT KS

FASERFIX®
TRAFFIC GUGIBLOC
RECYFIX®
TRAFFIC GUGIBLOC

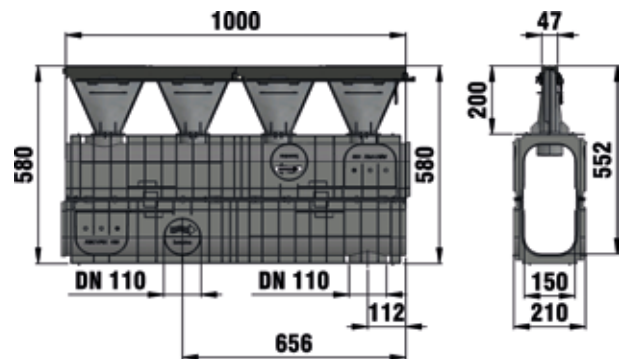
SERVICE
CHANNEL

KERBFIX 305

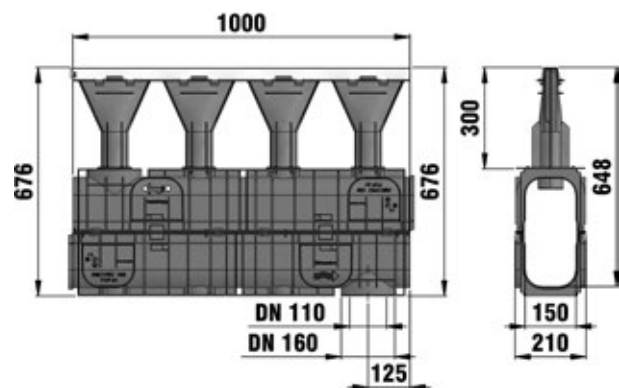
RECYFIX®HICAP®F 3000

RECYFIX®HICAP®F 3000 up to load class D 400

Type 3200, ductile iron
slot 6 mm, 1,0 m



Type 3200, stainless steel
design grating WAVE
6 mm, 1,0 m

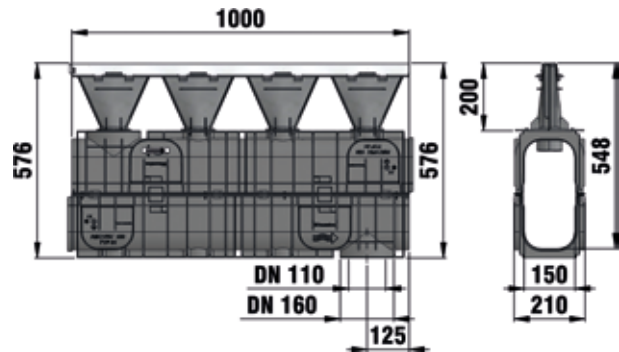


	Length mm	Width mm	Height mm	Internal channel cross-sect. cm ²	Intake cross-sect. cm ² /m	Funnel H mm	Weight kg	Item No.
Type 3200, ductile iron slot 6 mm, 1,0 m	1000	210	580	460	129	200	12,50	13210
Type 3200, stainless steel design grating WAVE 6 mm, 1,0 m	1000	210	576	460	44	200	10,43	13222

RECYFIX®HICAP®F 3000

RECYFIX®HICAP®F 3000 up to load class E 600

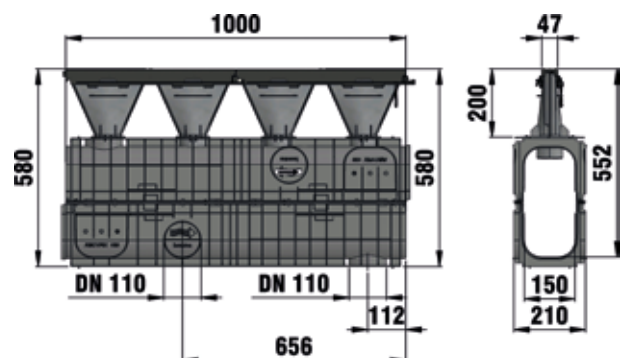
Type 3200, stainless steel
slot 24 mm, 1,0 m



	Length mm	Width mm	Height mm	Internal channel cross-sect. cm²	Intake cross-sect. cm²/m	Funnel H mm	Weight kg	Item No.
Type 3200, stainless steel slot 24 mm, 1,0 m	1000	210	576	460	211	200	10,23	13224

RECYFIX®HICAP®F 3000 up to load class F 900

Type 3200, ductile iron
mesh 13/28 mm, 1,0 m



	Length mm	Width mm	Height mm	Internal channel cross-sect. cm²	Intake cross-sect. cm²/m	Funnel H mm	Weight kg	Item No.
Type 3200, ductile iron mesh 13/28 mm, 1,0 m	1000	210	580	460	172	200	12,40	13220
Type 3200, ductile iron slot 28 mm, 1,0 m	1000	210	580	460	248	200	11,29	13230
Type 3200, ductile iron slot 14 mm, 1,0 m	1000	210	580	460	124	200	12,00	13225

FASERFIX®
SUPER

FASERFIX®
KS

RECYFIX®
PLUS X

RECYFIX®
INC

RECYFIX®
MONOTEC

RECYFIX®
HICAP-F

FASERFIX®
POINT KS

FASERFIX®
TRAFFIC GUGBLOC
RECYFIX®
TRAFFIC GUGBLOC

SERVICE
CHANNEL

KERBFIX 305

RECYFIX®HICAP®F 3000

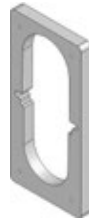
RECYFIX®HICAP®F 3000, Accessories



End cap closed,
galvanised, type 3000



End cap with PVC-U pipe
outlet DN/OD 160, galvanised,
type 3000

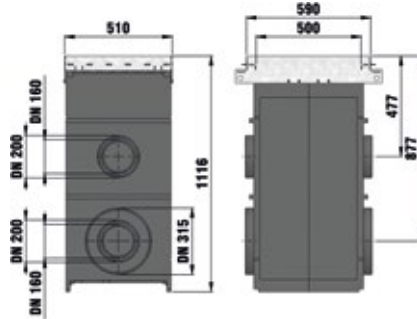


Step-fall connector
from RECYFIX HICAP 3000
to RECYFIX HICAP 2000

	Length mm	Width mm	Height mm	Weight kg	Item No.
End cap closed, galvanised, type 3000	-	190	370	1,10	13212
End cap with PVC-U pipe outlet DN/OD 160, galvanised, type 3000	-	190	370	2,40	13215
Step-fall connector from RECYFIX HICAP F 3000 to RECYFIX HICAP F 2000	-	179	376	2,00	13017
Chamber connector for RECYFIX HICAP F 3000, 1 m	1000	210	376	5,61	13291

RECYFIX®HICAP®F 3000

RECYFIX®HICAP®F Trash boxes



Trash box with ductile iron grating
SW 3 x 140/20 mm, class E 600,
up to type 8000



Trash box connector
incl. assembling,
RECYFIX HICAP F 3000



Adapter plate
with assembling set,
for shaft construction,
Type 3000

	Length mm	Width mm	Height mm	Weight kg	Item-No. galvanised	Item-No. stainless steel
Trash box with ductile iron grating SW 3 x 140/20 mm, class E 600, up to type 8000	510	590	1116	101,00	16500	32191
Trash box with ductile iron solid grating, class E 600, up to type 8000	510	590	1116	103,50	16505	32192
Trash box with ductile iron grating SW 3 x 140/20 mm, class F 900, up to type 8000	510	590	1116	101,84	32695	32696
Trash box connector incl. assembling, RECYFIX HICAP F 3000	-	-	-	3,90	884	-
Shaft for channel connection up to type 10000	1120	1120	880	54,00	32000	-
Compensating ring, class D 400	608	608	110	16,18	32885	-
Compensating ring, class F 900	608	608	210	20,98	32001	-
Shaft cover, class D 400	850	850	100	105,00	32886	-
Shaft cover, class F 900	850	850	-	-	32167	-
Adapter plate with assembling set, for shaft construction, Type 3000	-	590	384	-	10155	-

FASERFIX®
SUPER

FASERFIX®
KS

RECYFIX®
PLUS X

RECYFIX®
INC

RECYFIX®
MONOTEC

RECYFIX®
HICAP-F

FASERFIX®
POINT KS

FASERFIX®
TRAFFIC GUGIBLOC
RECYFIX®
TRAFFIC GUGIBLOC

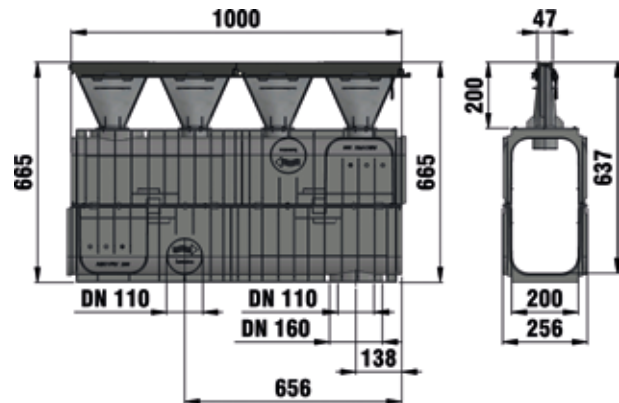
SERVICE
CHANNEL

KERBFIX 305

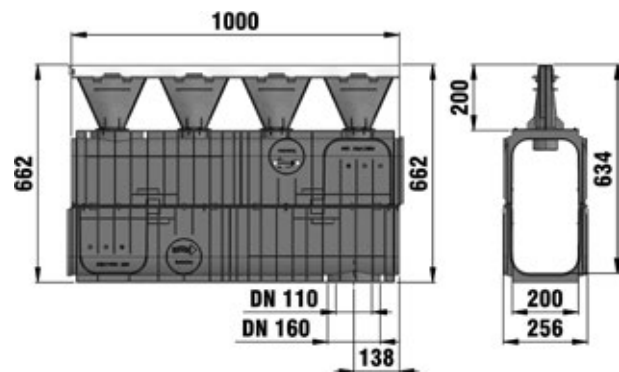
RECYFIX®HICAP®F 5000

RECYFIX®HICAP®F 5000 up to load class D 400

Type 5200, ductile iron
slot 6 mm, 1,0 m



Type 5200, stainless steel
design grating WAVE
6 mm, 1,0 m

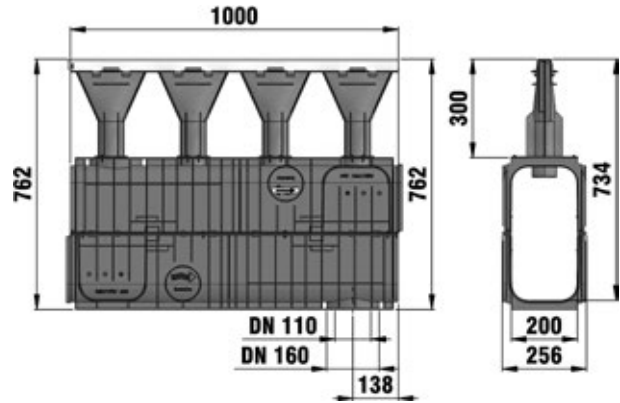


	Length mm	Width mm	Height mm	Internal channel cross-sect. cm ²	Intake cross-sect. cm ² /m	Funnel H mm	Weight kg	Item No.
Type 5200, ductile iron slot 6 mm, 1,0 m	1000	256	665	790	129	200	14,00	13410
Type 5200, stainless steel design grating WAVE 6 mm, 1,0 m	1000	256	662	790	44	200	11,83	13422
Inspection element complete with ductile iron grating SW 150/18 mm, KTL-coated, 1,0 m	1000	256	665	394	-	37,31	37,31	13807

RECYFIX®HICAP®F 5000

RECYFIX®HICAP®F 5000 up to load class E 600

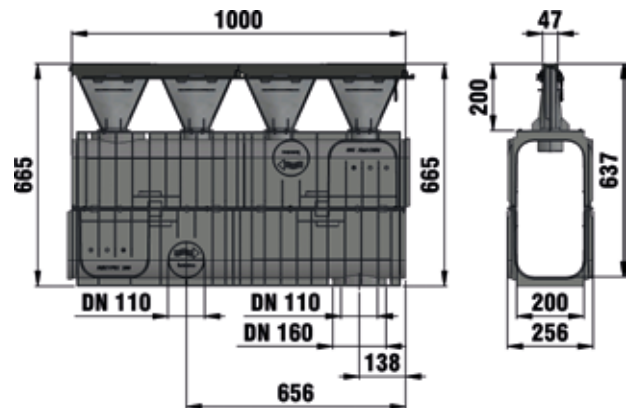
Type 5200, stainless steel
slot 24 mm, 1,0 m



	Length mm	Width mm	Height mm	Internal channel cross-sect. cm ²	Intake cross-sect. cm ² /m	Funnel H mm	Weight kg	Item No.
Type 5200, stainless steel slot 24 mm, 1,0 m	1000	256	662	790	211	200	11,63	13424
Inspection element complete with ductile iron grating, closed, KTL-coated, 1,0 m	1000	256	665	394	-	37,31	37,31	13776

RECYFIX®HICAP®F 5000 up to load class F 900

Type 5200, ductile iron
mesh 13/28 mm, 1,0 m



	Length mm	Width mm	Height mm	Internal channel cross-sect. cm ²	Intake cross-sect. cm ² /m	Funnel H mm	Weight kg	Item No.
Type 5200, ductile iron mesh 13/28 mm, 1,0 m	1000	256	665	790	172	200	13,90	13420
Type 5200, ductile iron slot 28 mm, 1,0 m	1000	256	665	790	248	200	12,61	13430
Type 5200, ductile iron slot 14 mm, 1,0 m	1000	256	665	790	124	200	13,50	13425
Inspection element complete with ductile iron grating SW 150/20 mm, KTL-coated, 1,0 m	1000	256	665	394	710	36,56	36,56	13778

FASERFIX®
SUPER

FASERFIX®
KS

RECYFIX®
PLUS X

RECYFIX®
INC

RECYFIX®
MONOTEC

RECYFIX®
HICAP®-F

FASERFIX®
POINT KS

FASERFIX®
TRAFFIC GUGBLOC
RECYFIX®
TRAFFIC GUGBLOC

SERVICE
CHANNEL

KERBFIX 305

RECYFIX®HICAP®F 5000

RECYFIX®HICAP®F 5000, Accessories



End cap closed,
galvanised, type 5000



End cap with PVC-U pipe
outlet DN/OD 200,
galvanised, type 5000



Step-fall connector
from RECYFIX HICAP 5000
to RECYFIX HICAP 3000

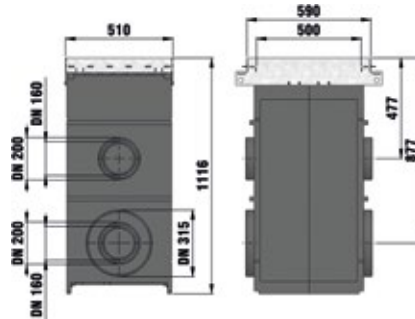
	Length mm	Width mm	Height mm	Weight kg	Item No.
End cap closed, galvanised, type 5000	-	240	450	2,00	13412
End cap with PVC-U pipe outlet DN/OD 200, galvanised, type 5000	-	240	450	2,10	13415
Step-fall connector from RECYFIX HICAP F 5000 to RECYFIX HICAP F 3000	-	250	462	0,99	13217
Step-fall ramp, stainless steel, from RECYFIX HICAP F 5000 to RECYFIX HICAP F 3000	84	197	80	0,48	13295
Chamber connector for RECYFIX HICAP F 5000, 1 m	1000	256	462	7,01	13491

RECYFIX®HICAP®F 5000

RECYFIX®HICAP®F Trash boxes



Trash box with ductile iron grating
SW 3 x 140/20 mm, class E 600,
up to type 8000



Trash box connector
incl. assembling,
RECYFIX HICAP F 5000



Adapter plate
with assembling set,
for shaft construction,
Type 5000

	Length mm	Width mm	Height mm	Weight kg	Item-No. galvanised	Item-No. stainless steel
Trash box with ductile iron grating SW 3 x 140/20 mm, class E 600, up to type 8000	510	590	1116	101,00	16500	32191
Trash box with ductile iron solid grating, class E 600, up to type 8000	510	590	1116	103,50	16505	32192
Trash box with ductile iron grating SW 3 x 140/20 mm, class F 900, up to type 8000	510	590	1116	101,84	32695	32696
Trash box connector incl. assembling, RECYFIX HICAP F 5000	-	-	-	3,80	886	-
Shaft for channel connection up to type 10000	1120	1120	880	54,00	32000	-
Compensating ring, class D 400	608	608	110	16,18	32885	-
Compensating ring, class F 900	608	608	210	20,98	32001	-
Shaft cover, class D 400	850	850	100	105,00	32886	-
Shaft cover, class F 900	850	850	-	-	32167	-
Adapter plate with assembling set, for shaft construction, Type 5000	-	590	470	-	10156	-

FASERFIX®
SUPER

FASERFIX®
KS

RECYFIX®
PLUS X

RECYFIX®
INC

RECYFIX®
MONOTEC

RECYFIX®
HICAP-F

FASERFIX®
POINT KS

FASERFIX®
TRAFFIC GUGIBLOC
RECYFIX®
TRAFFIC GUGIBLOC

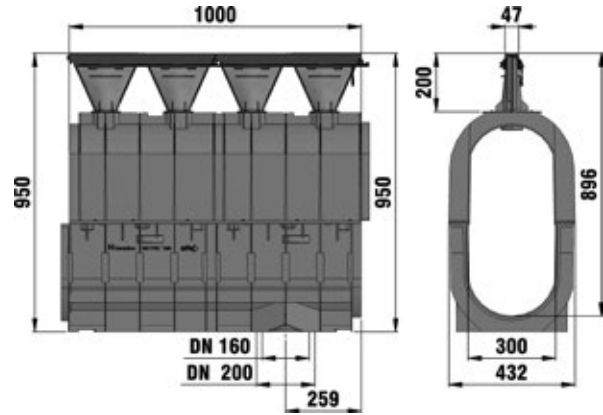
SERVICE
CHANNEL

KERBFIX 305

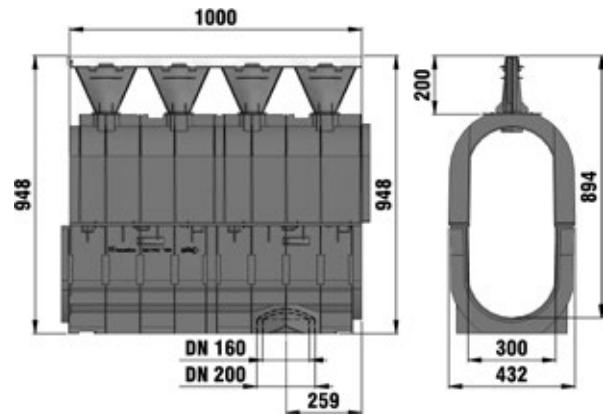
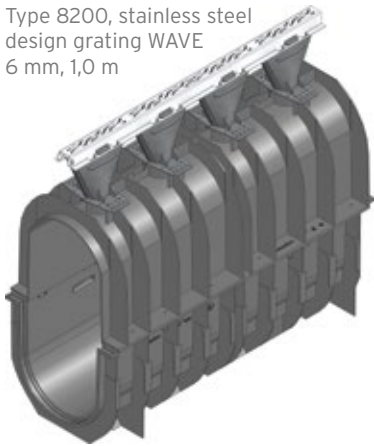
RECYFIX®HICAP®F 8000

RECYFIX®HICAP®F 8000 up to load class D 400

Type 8200, ductile iron slot 6 mm, 1,0 m



Type 8200, stainless steel design grating WAVE 6 mm, 1,0 m

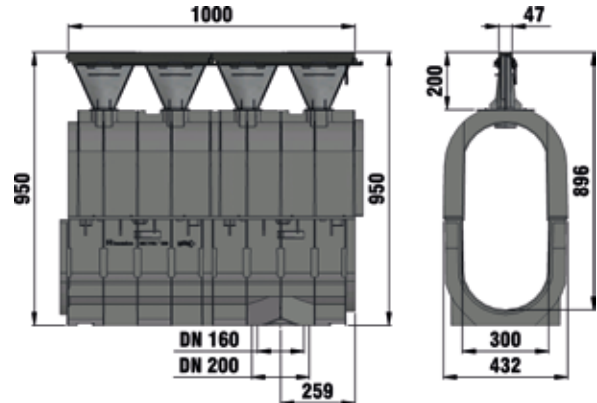


	Length mm	Width mm	Height mm	Internal channel cross-sect. cm ²	Intake cross-sect. cm ² /m	Funnel H mm	Weight kg	Item No.
Type 8200, ductile iron slot 6 mm, 1,0 m	1000	432	950	1714	129	200	24,00	13610
Type 8200, stainless steel design grating WAVE 6 mm, 1,0 m	1000	432	948	1714	44	200	20,60	13622
NEW Type 8300, ductile iron slot 6 mm, 1,0 m	1000	432	1050	1714	129	300	24,20	13660
NEW Type 8300, stainless steel design grating WAVE 6 mm, 1,0 m	1000	432	1048	1714	78	300	20,64	13672
Inspection element complete with ductile iron grating SW 150/18 mm, KTL-coated, 1,0 m	1000	420	950	1714	624	-	48,78	13808

RECYFIX®HICAP®F 8000

RECYFIX®HICAP®F 8000 up to load class E 600

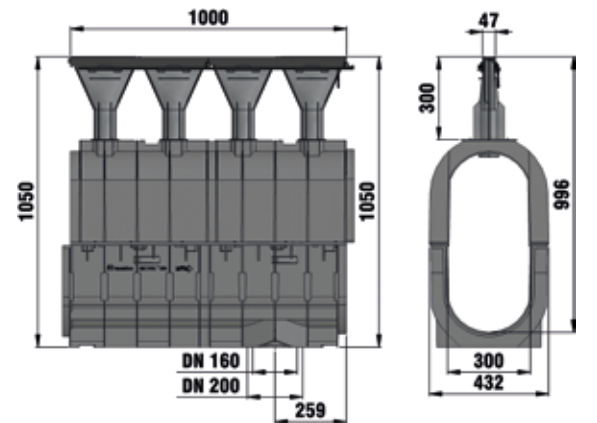
Type 8200, ductile iron mesh 13/28 mm, 1,0 m



	Length mm	Width mm	Height mm	Internal channel cross-sect. cm ²	Intake cross-sect. cm ² /m	Funnel H mm	Weight kg	Item No.
Type 8200, stainless steel slot 24 mm, 1,0 m	1000	432	948	1714	211	200	20,40	13624
NEW Type 8300, stainless steel slot 24 mm, 1,0 m	1000	432	1048	1714	211	300	22,44	13674
Inspection element complete with ductile iron grating, closed, KTL-coated, 1,0 m	1000	-	-	1714	-	-	48,78	13781
NEW Inspection element complete with ductile iron grating, closed, KTL coated, 1,0 m	1000	420	1050	1714	-	-	56,73	13782

RECYFIX®HICAP®F 8000 up to load class F 900

Type 8300, ductile iron mesh 13/28 mm, 1,0 m



	Length mm	Width mm	Height mm	Internal channel cross-sect. cm ²	Intake cross-sect. cm ² /m	Funnel H mm	Weight kg	Item No.
NEW Type 8200, ductile iron mesh 13/28 mm, 1,0 m	1000	432	950	1714	172	200	23,90	13620
NEW Type 8200, ductile iron slot 28 mm, 1,0 m	1000	432	950	1714	248	200	21,64	13630
NEW Type 8200, ductile iron slot 14 mm, 1,0 m	1000	432	950	1714	124	200	23,50	13625
Type 8300, ductile iron mesh 13/28 mm, 1,0 m	1000	432	1050	1714	172	300	24,10	13670
Type 8300, ductile iron slot 28 mm, 1,0 m	1000	432	1050	1714	248	300	22,24	13680
Type 8300, ductile iron slot 14 mm, 1,0 m	1000	432	1050	1714	124	300	23,77	13675
NEW Inspection element complete with ductile iron grating SW 150/20 mm, closed, KTL coated, 1,0 m	1000	420	950	1714	710	-	48,00	13783
Inspection element complete with ductile iron grating SW 150/20 mm, KTL-coated, 1,0 m	1000	420	-	-	710	55,98	55,98	13784

FASERFIX®
SUPER

FASERFIX®
KS

RECYFIX®
PLUS X

RECYFIX®
INC

RECYFIX®
MONOTEC

RECYFIX®
HICAP-F

FASERFIX®
POINT KS

FASERFIX®
TRAFFIC GUGBLOC
RECYFIX®
TRAFFIC GUGBLOC

SERVICE
CHANNEL

KERBFIX 305

RECYFIX®HICAP®F 8000

RECYFIX®HICAP®F 8000, Accessories



End cap closed,
galvanised, type 8000



End cap with PVC-U pipe
outlet DN/OD 200,
galvanised, type 8000

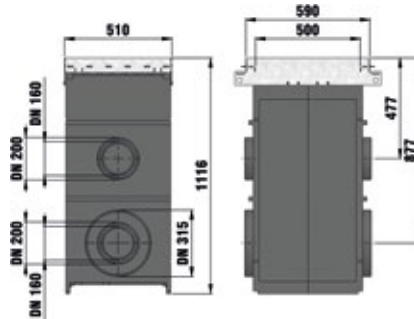


Step-fall connector
from R HICAP 8000
to RECYFIX HICAP 5000

	Length mm	Width mm	Height mm	Weight kg	Item No.
End cap closed, galvanised, type 8000	-	420	720	3,00	13612
End cap with PVC-U pipe outlet DN/OD 200, galvanised, type 8000	-	420	734	5,60	13615
Step-fall connector from RECYFIX HICAP F 8000 to RECYFIX HICAP F 5000	-	432	693	2,00	13417
Step-fall ramp, stainless steel, from RECYFIX HICAP F 8000 to RECYFIX HICAP F 5000	258	291	254	1,95	13695
Chamber connector for RECYFIX HICAP F 8000, 1 m	1000	432	748	15,86	13691

RECYFIX®HICAP®F 8000

RECYFIX®HICAP®F Trash boxes



Trash box with ductile iron grating
SW 3 x 140/20 mm, class E 600,
up to type 8000



Trash box connector
incl. assembling,
RECYFIX HICAP F 8000



Adapter plate
with assembling set,
for shaft construction,
Type 5000

	Length mm	Width mm	Height mm	Weight kg	Item-No. galvanised	Item-No. stainless steel
Trash box with ductile iron grating SW 3 x 140/20 mm, class E 600, up to type 8000	510	590	1116	101,00	16500	32191
Trash box with ductile iron solid grating, class E 600, up to type 8000	510	590	1116	103,50	16505	32192
Trash box with ductile iron grating SW 3 x 140/20 mm, class F 900, up to type 8000	510	590	1116	101,84	32695	32696
Trash box connector incl. assembling, RECYFIX HICAP F 8000	-	-	-	4,70	888	-
Shaft for channel connection up to type 10000	1120	1120	880	54,00	32000	-
Compensating ring, class D 400	608	608	110	16,18	32885	-
Compensating ring, class F 900	608	608	210	20,98	32001	-
Shaft cover, class D 400	850	850	100	105,00	32886	-
Shaft cover, class F 900	850	850	-	-	32167	-
Adapter plate with assembling set, for shaft construction, Type 8000	-	590	756	-	10157	-

FASERFIX®
SUPER

FASERFIX®
KS

RECYFIX®
PLUS X

RECYFIX®
INC

RECYFIX®
MONOTEC

RECYFIX®
HICAP-F

FASERFIX®
POINT KS

FASERFIX®
TRAFFIC GUGIBLOC
RECYFIX®
TRAFFIC GUGIBLOC

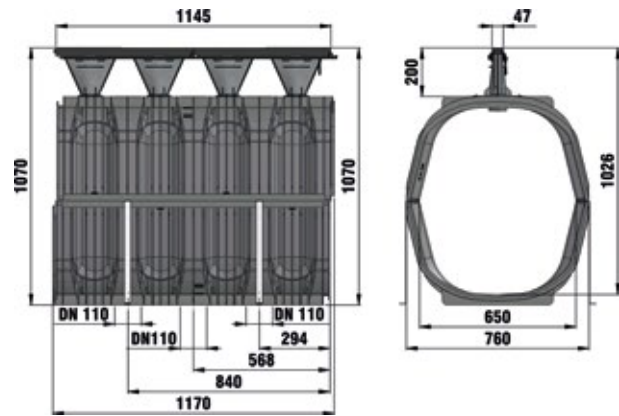
SERVICE
CHANNEL

KERBFIX 305

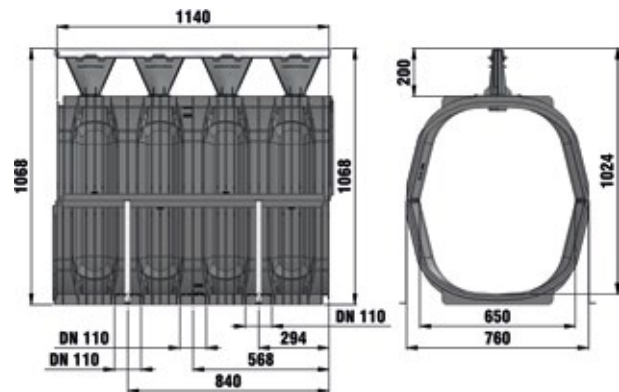
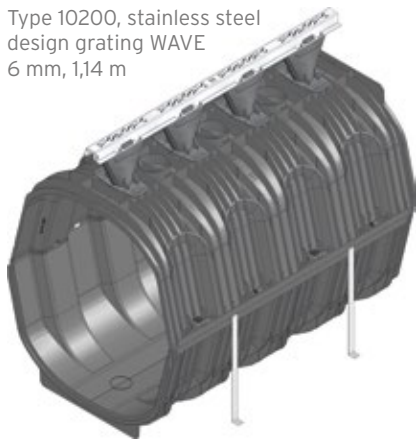
RECYFIX®HICAP®F 10000

RECYFIX®HICAP®F 10000 up to load class D 400

Type 10200, ductile iron
slot 6 mm, 1,14 m



Type 10200, stainless steel
design grating WAVE
6 mm, 1,14 m

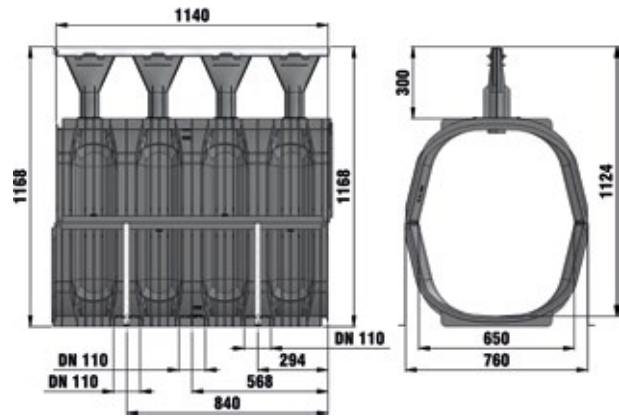


	Length mm	Width mm	Height mm	Internal channel cross-sect. cm ²	Intake cross-sect. cm ² /m	Funnel H mm	Weight kg	Item No.
Type 10200, ductile iron slot 6 mm, 1,14 m	1145	760	1070	4430	129	200	31,88	13810
Type 10200, stainless steel design grating WAVE 6 mm, 1,14 m	1140	760	1068	4430	44	200	17,24	13822
NEW Type 10300, slot 6 mm	1145	760	1170	4430	129	300	32,49	13860
NEW Type 10300, stainless steel design grating WAVE 6 mm, 1,14 m	1140	760	1068	4430	68	300	17,28	13872
Inspection element complete with ductile iron grating SW 3 x 140/18 mm, KTL-coated, 1,0 m	1145	760	1070	4126	1810	-	88,63	13809

RECYFIX®HICAP®F 10000

RECYFIX®HICAP®F 10000 up to load class E 600

Type 10300, stainless steel
slot 24 mm, 1,14 m



	Length mm	Width mm	Height mm	Internal channel cross-sect. cm ²	Intake cross-sect. cm ² /m	Funnel H mm	Weight kg	Item No.
--	--------------	-------------	--------------	-------------------------------------------------------	---------------------------------------------	----------------	--------------	-------------

NEW Type 10200, stainless steel slot 24 mm	1140	760	1068	4430	211	200	17,04	13824
Type 10300, stainless steel slot 24 mm, 1,14 m	1140	760	1168	4430	211	300	17,08	13874
Inspection element complete with ductile iron grating, closed, KTL-coated, 1,14 m	1145	760	1070	4126	-	-	88,63	13785
NEW Inspection element complete with ductile iron grating, closed, KTL coated, 1,14 m	1145	760	1170	4126	-	-	91,14	13786

FASERFIX®
SUPER

FASERFIX®
KS

RECYFIX®
PLUS X

RECYFIX®
INC

RECYFIX®
MONOTEC

RECYFIX®
HICAP®F

FASERFIX®
POINT KS

FASERFIX®
TRAFFIC GUGIBLOC
RECYFIX®
TRAFFIC GUGIBLOC

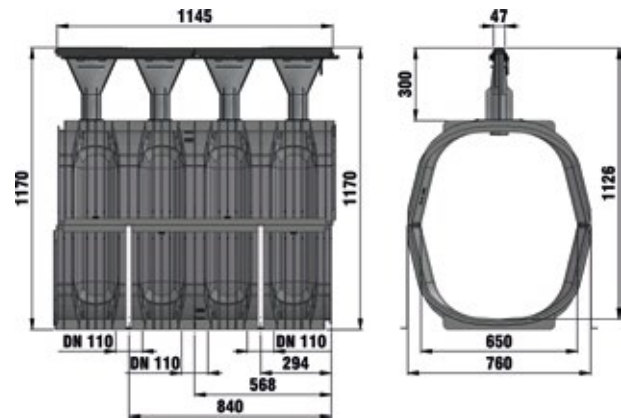
SERVICE
CHANNEL

KERBFIX 305

RECYFIX®HICAP®F 10000

RECYFIX®HICAP®F 10000 up to load class F 900

Type 10300, ductile iron
slot 14 mm



	Length mm	Width mm	Height mm	Internal channel cross-sect. cm ²	Intake cross-sect. cm ² /m	Funnel H mm	Weight kg	Item No.
--	--------------	-------------	--------------	-------------------------------------------------------	---------------------------------------------	----------------	--------------	-------------

NEW	Type 10200, ductile iron mesh 13/28 mm, 1,14 m	1145	760	1070	4430	168	200	31,00	13820
NEW	Type 10200, ductile iron slot 28 mm, 1,14 m	1145	760	1070	4430	247	200	30,54	13830
NEW	Type 10200, ductile iron slot 14 mm, 1,14 m	1145	760	1070	4430	123	200	31,57	13840
	Type 10300, ductile iron mesh 13/28 mm, 1,14 m	1145	760	1170	4430	168	300	31,20	13870
	Type 10300, ductile iron slot 28 mm	1145	760	1170	4430	247	300	31,18	13880
	Type 10300, ductile iron slot 14 mm	1145	760	1170	4430	123	300	32,17	13885
NEW	Inspection element complete with ductile iron grating SW 3 x 140/20 mm, KTL coated, 1,14 m	1145	760	1070	4126	2059	-	86,89	13787
	Inspection element complete with ductile iron grating SW 3 x 140/20 mm, KTL-coated, 1,14 m	1145	760	1070	4126	2059	-	89,40	13788

RECYFIX®HICAP®F 10000

RECYFIX®HICAP®F 10000, Accessories



Step-fall connector
from RECYFIX HICAP 10000
to RECYFIX HICAP 8000



Step-fall ramp, stainless steel,
from RECYFIX HICAP 10000
to RECYFIX HICAP 8000

	Length mm	Width mm	Height mm	Weight kg	Item No.
end cap, black, incl. assembly set	-	803	822	4,42	96002
Step-fall connector from RECYFIX HICAP F 10000 to RECYFIX HICAP F 8000	-	760	845	5,00	13617
Step-fall ramp, stainless steel, from RECYFIX HICAP F 10000 to RECYFIX HICAP F 8000	280	686	255	4,32	13895
Chamber connector for RECYFIX HICAP F 10000, 1 m	1145	760	868	23,11	13891

FASERFIX®
SUPER

FASERFIX®
KS

RECYFIX®
PLUS X

RECYFIX®
INC

RECYFIX®
MONOTEC

RECYFIX®
HICAP-F

FASERFIX®
POINT KS

FASERFIX®
TRAFFIC GUGBLOC
RECYFIX®
TRAFFIC GUGBLOC

SERVICE
CHANNEL

KERBFIX 305

FASERFIX POINT KS

Durable point drainage for public and commercial areas.



**Kaufland Car Park,
Sofia, Bulgaria**



FASERFIX POINT KS

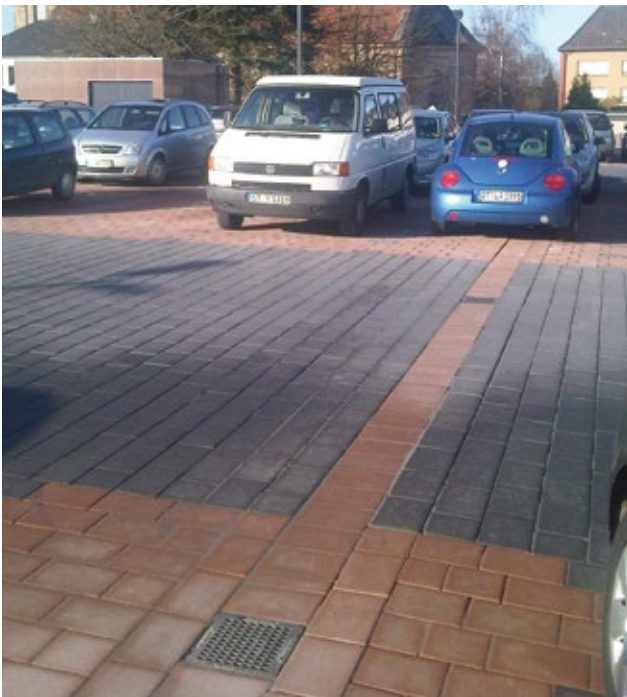
Durable point drainage for public and commercial areas.

1 Requirements

- draining away surface water at a specific point for reasons of building layout and topography.
- the system to be used must be able to permanently withstand the expected traffic.
- point drainage should be integrated harmoniously into the surrounding surface finish.

2 Application areas

- yards
- squares and parking areas in commercial and private areas



3 Solution

FASERFIX POINT KS trash boxes

- are made of fibre-reinforced concrete (Basalt fibres)
- are tested according to DIN EN 124
- are protected by a galvanised steel angle housing all round.
- gratings are securely locked to the base box using the SIDE-LOCK boltless locking system
- are equipped with a sludge trap in galvanised steel or PP.

4 Additional applications

- point inlet: can be installed with different construction heights
- trash box: can also be used as trash boxes in linear drainage runs of various channel types
- sludge trap: where the trapping of solids is a requirement, it is also possible to install the FASERFIX POINT KS trash box as a sludge trap. In that case, the outlet openings in the lower part will be closed off and an additional outlet opening will be inserted in the middle of the upper part.
- pump sump: the FASERFIX SUPER gully and the FASERFIX POINT KS point inlet type 40/40 be suitable as pump sump

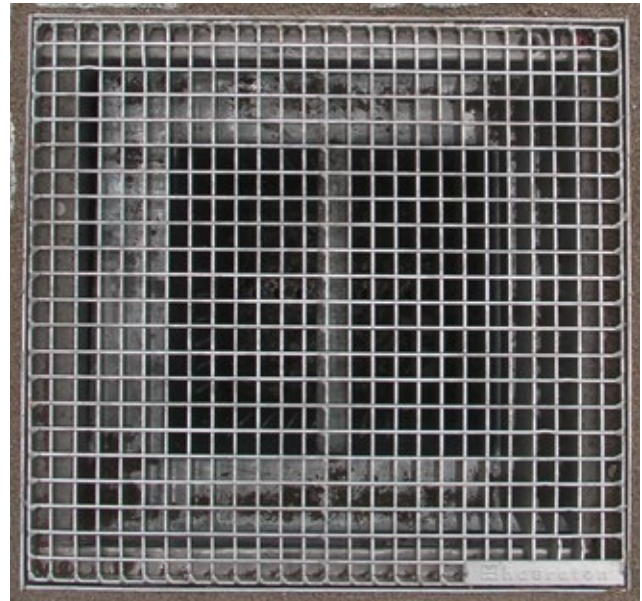
FASERFIX POINT KS at Wiener Platz, Dresden

The Wiener Platz is the central traffic hub in Dresden. The different transport modes, such as railway, cars, buses, tramway, bicycles and wheelchairs are interlinked on different levels. For a visually appealing streetscape design of surfaces and facades, the FASERFIX POINT KS yard gullies and FASERFIX SUPER channels were fitted with customfabricated stainless steel gratings.



The special request from the client and architects:

- safety for pedestrians, cyclists and wheelchair users: narrow mesh size of the grating
- cost savings: no ingress of rough dirt items into the draining system
- harmonious overall design of channels and point inlets



FASERFIX®
SUPER

FASERFIX®
KS

RECYFIX®
PLUS X

RECYFIX®
INC

RECYFIX®
MONOTEC

RECYFIX®
HICAP®F

FASERFIX®
POINT KS

FASERFIX®
TRAFFIC GUGIBLOC
RECYFIX®
TRAFFIC GUGIBLOC

SERVICE
CHANNEL

KERBFIX 305

YOUR BENEFITS WITH **FASERFIX POINT KS**

HIGH-GRADE MATERIAL

- „Made in Germany“
- optimal stability through fibre-reinforced concrete (Basalt fibres) with low weight
- adheres well to the foundation concrete (same coefficient of thermal expansion)
- installation without grating possible
- fire resistance class A1 (non-combustible) according to DIN 4102

= **QUALITY ASSURED / PERFORMANCE ASSURED**



HEAVY-DUTY FRAME & SIDE-LOCK

- 20 mm x 20 mm Zarge frame and inlaying grating
- extremely durable connection between steel frame and concrete body
- 90 % time savings when fastened with boltless locking system **SIDE-LOCK** (compared to conventional fastening)
- insertion or replacement of the grating is possible without special tools, a screwdriver is sufficient

= **QUALITY ASSURED / COST SAVINGS**



IDEAL FOR ...

drainage of surface water at one point, such as in parking areas, yards and squares in commercial and private areas.

1

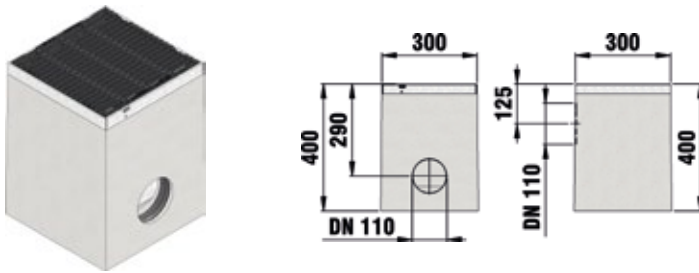
Longitudinal ductile iron grating -
locked with boltless locking system
SIDE-LOCK



FASERFIX®POINT KS 30/30

FASERFIX®POINT KS 30/30, Point drainage, class D 400,
complete with PVC-U socket and sealing DN/OD 110, **foul air trap and PE mud bucket**

with longitudinal ductile iron grating
SW 8 mm, KTL-coated



with longitudinal ductile iron grating
SW 8 mm, galvanised



	Length mm	Width mm	Height mm	Weight kg	Item No.
with longitudinal ductile iron grating SW 8 mm, KTL-coated	300	300	400	49,53	4402
with longitudinal ductile iron grating SW 8 mm, galvanised	300	300	400	49,63	4422

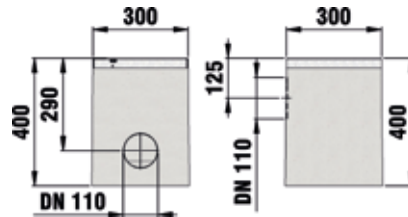
Point drainage tested according to EN 1433.

For FASERFIX POINT the same installation advices as for FASERFIX SUPER Channels are analogously valid.
The gratings are locked with boltless-locking system SIDE-LOCK.

FASERFIX®POINT KS 30/30

FASERFIX®POINT KS 30/30, Point drainage, class E 600, complete with PVC-U socket and sealing DN/OD 110, foul air trap and PE mud bucket

with GUGI-Ductile iron mesh grating MW 15/25 mm, black



	Length mm	Width mm	Height mm	Weight kg	Item No.
with GUGI-Ductile iron mesh grating MW 15/25 mm, black	300	300	400	52,40	4400
with GUGI-Ductile iron mesh grating MW 15/25 mm, black, KTL-coated	300	300	400	52,03	4401
with GUGI-Ductile iron mesh grating MW 15/25 mm, galvanised	300	300	400	52,40	4420

Point drainage tested according to EN 1433.

For FASERFIX POINT the same installation advices as for FASERFIX SUPER Channels are analogously valid. The gratings are locked with boltless-locking system SIDE-LOCK.

NEW FASERFIX®POINT KS 30/30, accessories

Plastic bucket for FASERFIX POINT SUPER 30/30 and POINT STANDARD 30/30



	Length mm	Width mm	Height mm	Weight kg	Item No.
Plastic bucket for FASERFIX POINT SUPER 30/30 and POINT STANDARD 30/30	195	130	90	0,10	943

FASERFIX®
SUPER

FASERFIX®
KS

RECYFIX®
PLUS X

RECYFIX®
INC

RECYFIX®
MONOTEC

RECYFIX®
HICAP®F

FASERFIX®
POINT KS

FASERFIX®
TRAFFIC GUGIBLOC
RECYFIX®
TRAFFIC GUGIBLOC

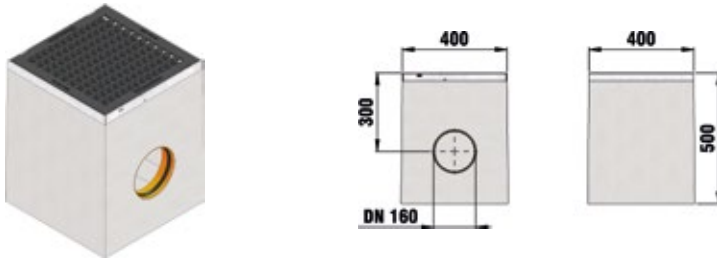
SERVICE
CHANNEL

KERBFIX 305

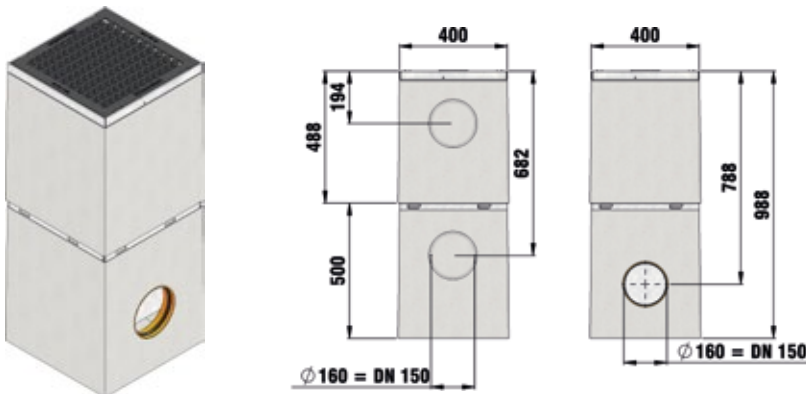
FASERFIX®POINT KS 40/40

FASERFIX®POINT KS 40/40, Point drainage, class E 600,
complete with PVC-U socket and sealing DN/OD 160, **foul air trap and PE mud bucket**

One piece with GUGI-Ductile iron
mesh grating MW 15/25 mm, black



Two piece with GUGI-Ductile iron
mesh grating MW 15/25 mm, black



	Length mm	Width mm	Height mm	Weight kg	Item No.
One piece with GUGI-Ductile iron mesh grating MW 15/25 mm, black	400	400	500	93,10	4700
Two piece with GUGI-Ductile iron mesh grating MW 15/25 mm, black	400	400	988	156,10	4800
One piece with GUGI-Ductile iron mesh grating MW 15/25 mm, galvanised	400	400	500	94,00	4720
Two piece with GUGI-Ductile iron mesh grating MW 15/25 mm, galvanised	400	400	988	155,00	4820
Extension part	400	400	500	63,48	4825

Point drainage tested according to EN 1433.

For FASERFIX POINT the same installation advices as for FASERFIX SUPER Channels are analogously valid.
The gratings are locked with boltless-locking system SIDE-LOCK.

FASERFIX®POINT KS 40/40

NEW FASERFIX®POINT KS 40/40, accessories

Mud bucket, aluminium,
FASERFIX POINT KS/
FASERFIX POINT STANDARD 40/40



	Length mm	Width mm	Height mm	Weight kg	Item No.
Mud bucket, aluminium, FASERFIX POINT KS/ FASERFIX POINT STANDARD 40/40	308	239	130	0,46	32154

FASERFIX®
SUPER

FASERFIX®
KS

RECYFIX®
PLUS X

RECYFIX®
INC

RECYFIX®
MONOTEC

RECYFIX®
HICAP®F

FASERFIX®
POINT KS

FASERFIX®
TRAFFIC GUGIBLOC
RECYFIX®
TRAFFIC GUGIBLOC

SERVICE
CHANNEL

KERBFIX 305

FASERFIX TRAFFIC GUGIBLOC

Drainage system for extreme conditions with high capacity.



**Reconstruction
Čemernianska street,
Slovakia**



YOUR BENEFITS WITH **FASERFIX** TRAFFIC GUGIBLOC

STRONG, STABLE, SAFE & SECURE

- load tested to F 900 (EN 1433)
- monolithic channel installation with retained grating design
- elevated grating structure in durable spheroidal ductile iron GJS 500-7
- grating flange for strong key to concrete encasement
- thick channel wall dimensions for superior resistance to lateral / dynamic forces and ultra-heavy-duty loads
- tapered channel body design for added stability when installed

= PERFORMANCE ASSURED / LONGEVITY



VARIETY OF OPTIONS AND ACCESSORIES

- channel size 150 mm wide
- GUGI-mesh grating design up to F 900 loading
- range of access / outlet boxes and accessories
- configured as constant-depth or stepped-fall

= DESIGN FLEXIBILITY



HIGH RESISTANCE

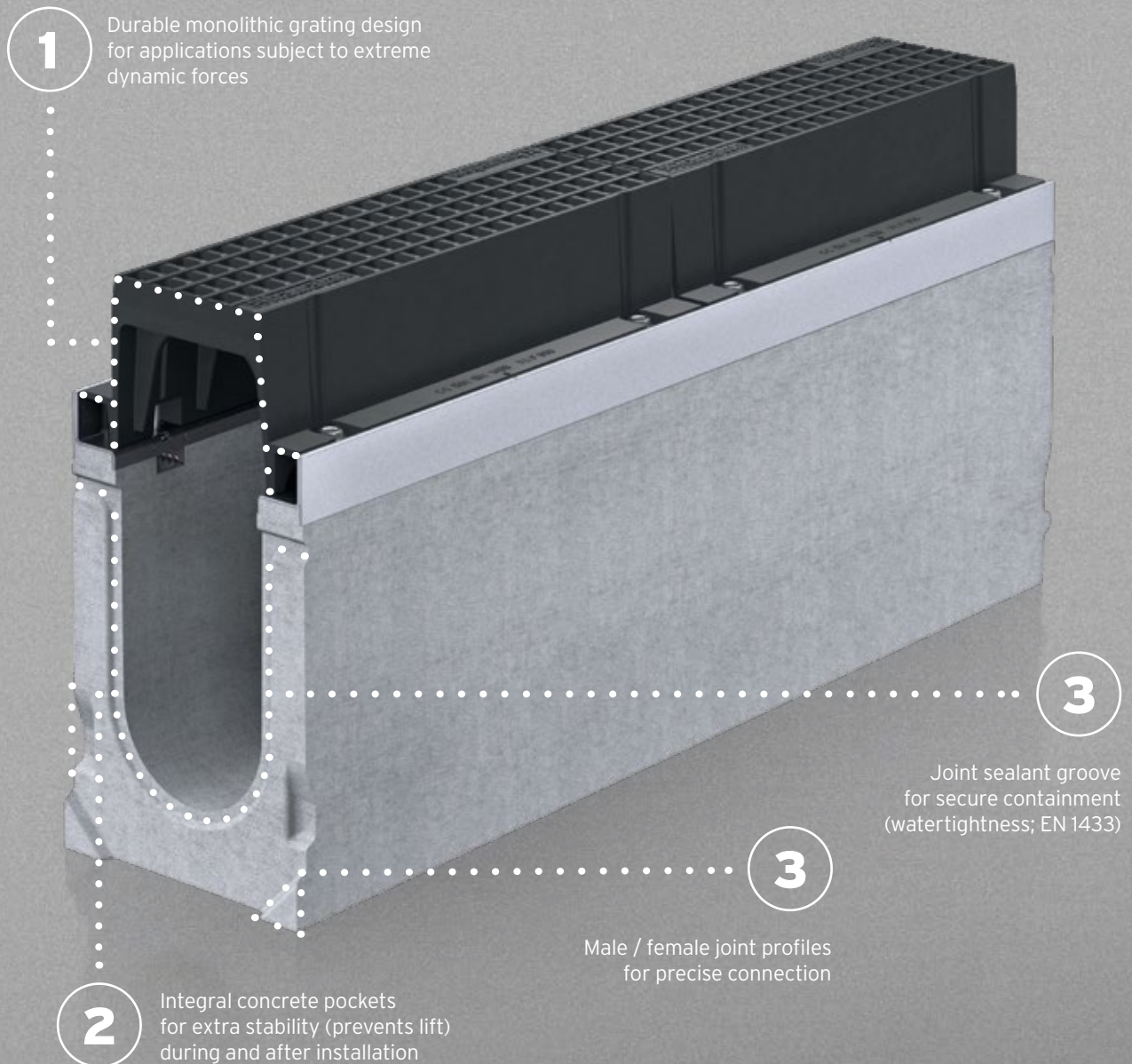
- fibre-reinforced concrete (Basalt fibres) for increased impact and wear resistance
- material resistance to frost and salts
- meets concrete exposure classes (XF4, XA3, XS3) as classified within DIN EN 206-1
- class 1A (non-flammable) fire rating (DN 4102)
- high resistance to extreme climate temperatures and UV light

= PERFORMANCE ASSURED / LONGEVITY



IDEAL FOR ...

F 900 load environments subject to ultra heavy duty traffic imposing extreme dynamic forces.

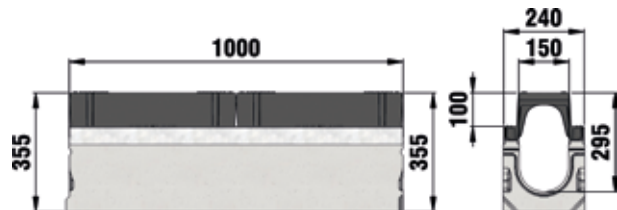
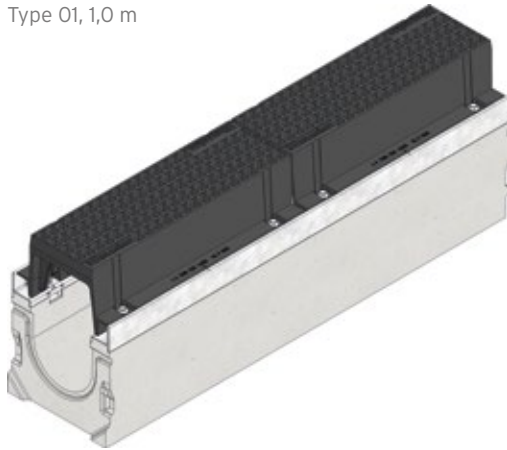


FASERFIX® TRAFFIC GUGIBLOC 150

Combi article

FASERFIX® TRAFFIC GUGIBLOC 150, class F 900

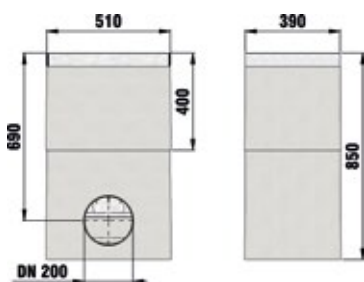
Type 01, 1,0 m



	Length mm	Width mm	Height mm	Internal channel cross-sect. cm ²	Intake cross-sect. cm ² /m	Weight kg	Item No.
Type 01, 1,0 m	1000	240	355	328	546	108,00	2800
Type 0105, 0,5 m	500	240	355	328	546	56,50	2849
Type 010, 1,0 m	1000	240	409	408	546	123,00	2842
Type 020, 1,0 m	1000	240	469	488	546	131,00	2844

Accessories

Trash boxes



Trash box
with galvanised bucket



GUGIBLOC Access cover
with ductile iron grating,
MW 15/25 mm, class E 600

	Length mm	Width mm	Height mm	Weight kg	Item No.
Trash box with galvanised bucket	500	240	640	90,32	2052
GUGIBLOC Access cover with ductile iron grating, MW 15/25 mm, class E 600	500	212	140	13,50	2875
Trash box, 2-parts, with ductile iron mesh grating, MW 15/25 mm, class E 600	510	390	850	204,00	4852
Trash box with GUGI-Ductile iron mesh grating, MW 15/25 mm	500	240	640	109,30	2852

FASERFIX® TRAFFIC GUGIBLOC 150

Accessories

End caps



End cap closed, type 01



End cap closed, type 020

	Length mm	Width mm	Height mm	Weight kg	Item No.
End cap closed, type 01	-	240	355	0,90	2881
End cap closed, type 010	-	240	409	1,10	2882
End cap closed, type 020	-	240	469	1,30	2883

Further accessories



Foul air trap
DN/OD 160



PVC-U pipe connection
element DN/OD 160



PVC-Connection
DN/OD 200

	Length mm	Width mm	Height mm	Weight kg	Item No.
Foul air trap DN/OD 160	584	160	439	2,00	960
PVC-U pipe connection element DN/OD 160	-	-	-	0,50	906
PVC-Connection DN/OD 200	-	-	-	0,80	907
Universal sealant/adhesive Siga-Meltell® 320 black**	-	-	-	0,97	19051
Tubular pistol for universal sealant/adhesive Siga-Meltell® 320 black**	-	-	-	1,30	6891

Factory-made services



Fixing-system EP, empty pipe
in the channel bottom,
(2 pieces per metre)



Cutting to length
of NW 150

	Length mm	Width mm	Height mm	Weight kg	Item No.
Fixing-system EP, empty pipe in the channel bottom, (2 pieces per metre)	-	-	-	0,03	703
steel bars for fixing system EP (2 pieces per metre)	-	-	-	0,01	704
Cutting to length of NW 150	-	-	-	-	991

FASERFIX®
SUPER

FASERFIX®
KS

RECYFIX®
PLUS X

RECYFIX®
INC

RECYFIX®
MONOTEC

RECYFIX®
HICAP®F

FASERFIX®
POINT KS

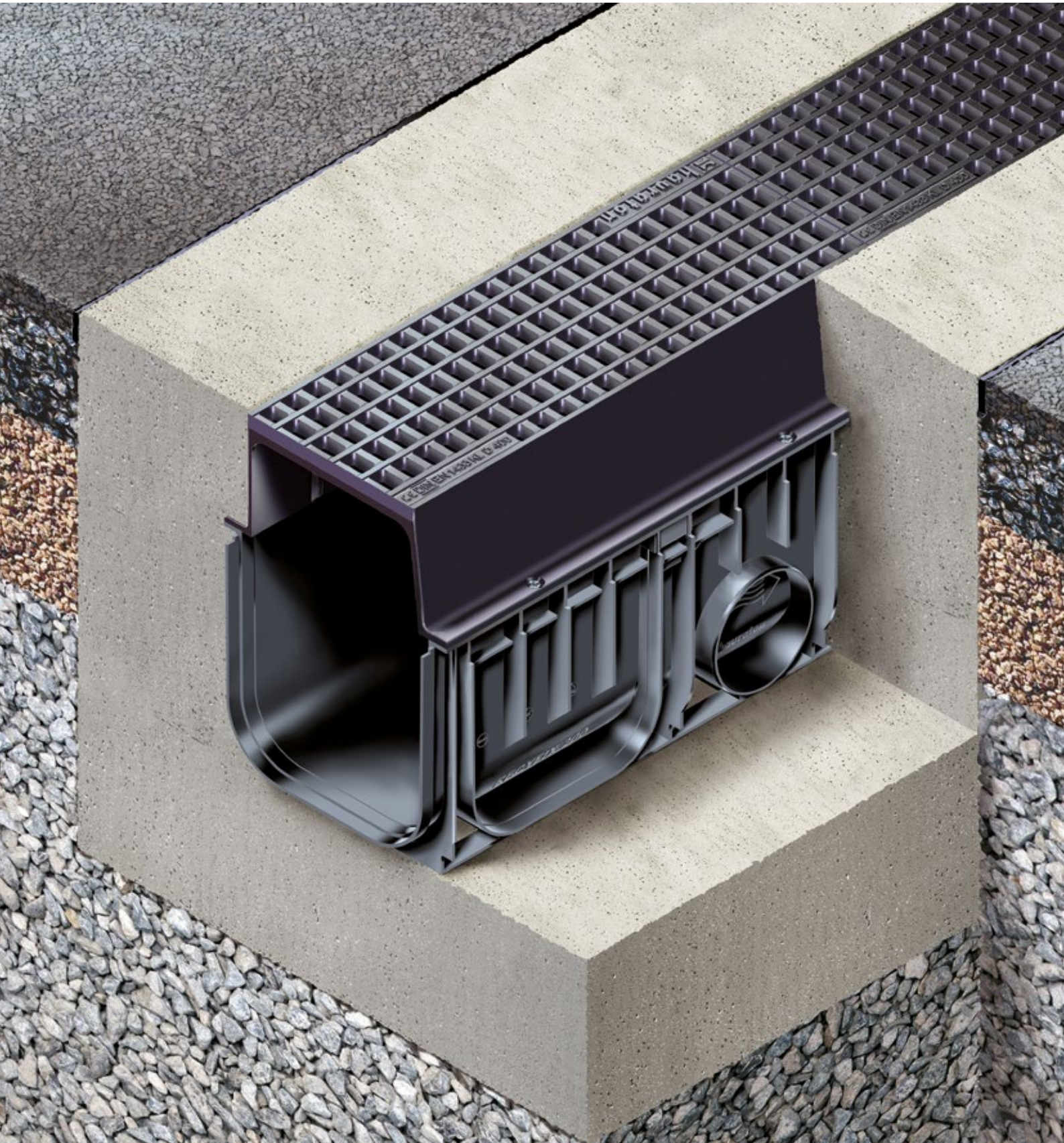
FASERFIX®
TRAFFIC GUGIBLOC

SERVICE
CHANNEL

KERBFIX 305

RECYFIX TRAFFIC GUGIBLOC

Light and robust drainage for high traffic.



**Driveway Concrete Plant,
Czech Republic**



RECYFIX TRAFFIC GUGIBLOC

Light and robust drainage for high traffic.

1 Requirements

Drainage channels in busy traffic areas must

- be able to withstand especially high surface and point loads.
- be particularly stable and long-lasting.
- resist high braking and shear stresses.
- be wear resistant and durable.
- be maintenance free and drain reliably.

2 Application areas

- Heavy traffic zones in public and commercial areas
- Logistics centres
- Container terminals
- Accesses with particularly heavy traffic

3 Solutions

Therefore RECYFIX TRAFFIC GUGIBLOC channels are very suitable for the drainage of busy traffic areas:

- surfaces that are run over directly made of high quality ductile graphite iron EN-GJS-500-7
- channels made of specially resistant RECYFIX plastic
- very stable fixing in the surface coating
- works in the installation as a monolithic channel
- especially high drainage capacity, even with large volumes of water



Container terminals: resistant to the highest point loads.



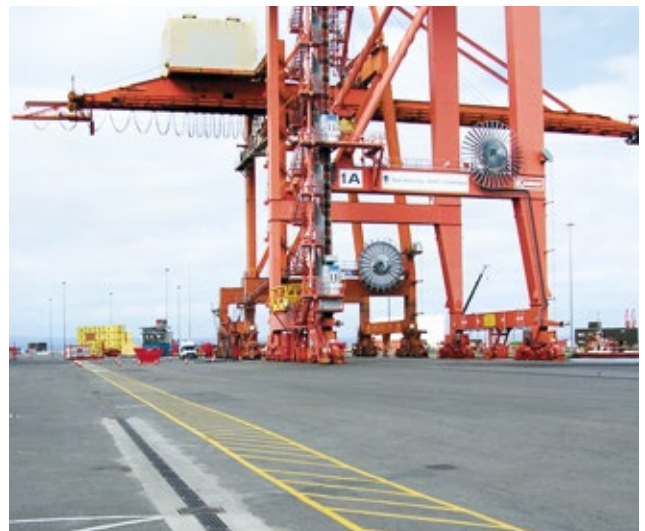
Industrial areas: maximum safety, particularly suitable for high point loads.



Filling stations: resistant to chemicals and impermeable to liquids.



Commercial areas: heavy traffic areas.



Ports: particularly suitable for transshipment sites.



Logistics centres: Areas subject to the highest loads.

FASERFIX® SUPER
FASERFIX® KS
RECYFIX® PLUS X
RECYFIX® INC
RECYFIX® MONOTEC
RECYFIX® HICAP® F
FASERFIX® POINT KS
RECYFIX® TRAFFIC GUGIBLOC
SERVICE CHANNEL
KERBFIX 305

YOUR BENEFITS WITH **RECYFIX** TRAFFIC GUGIBLOC

STRONG, STABLE, SAFE & SECURE

- load tested to E 600 according to EN 1433
- monolithic channel installation with retained grating design
- elevated grating structure with flange for strong key to concrete encasement
- structural ribbing for superior resistance to dynamic forces and heavy duty loads

**= PERFORMANCE ASSURED /
LONGEVITY**



HIGH RESISTANCE

- high resistance against frost and salts
- 0 % water absorption (non polar)
- high level corrosion resistance to a range of chemicals
- UV stable (composite channel body with > 2 % carbon black added)
- suitable for climate temperatures from - 30 °C to + 80 °C and beyond

**= PERFORMANCE ASSURED /
LONGEVITY**



VARIETY OF OPTIONS AND ACCESSORIES

- channel sizes 200 and 300 mm wide
- GUGI-mesh grating design up to E 600 loading
- range of access / outlet boxes and accessories
- configured as constant-depth or stepped-fall
- pre-formed pipe-connections for added flexibility

= DESIGN FLEXIBILITY



HIGH-GRADE MATERIALS

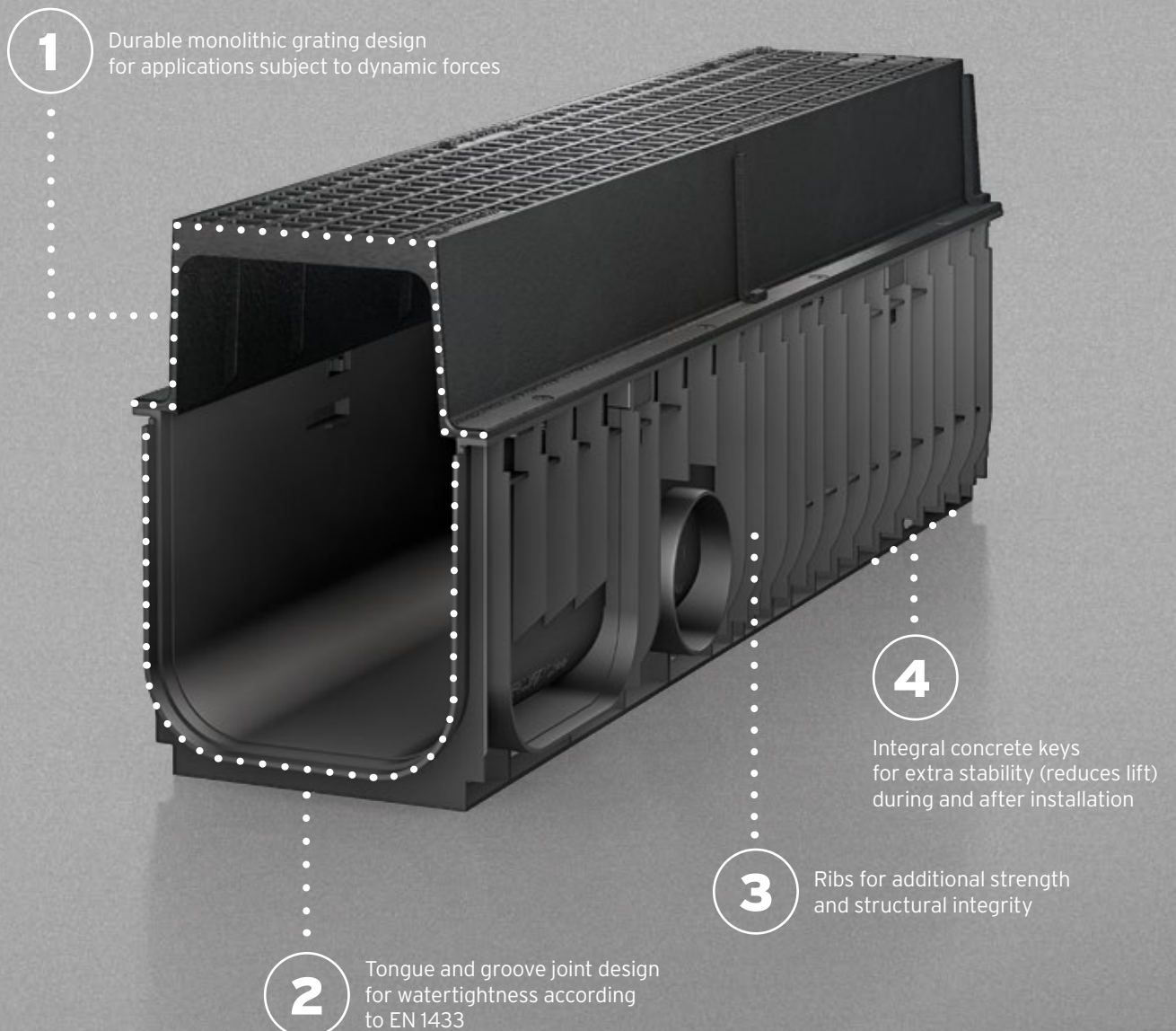
- **RECYFIX** - modified PP composite for strength, durability, flexibility and impact resistance.
- grating in durable spheroidal ductile iron GJS 500-7
- channel body from 100 % recycled material; 100 % recyclable (environmentally friendly)
- smooth inner surface for superior flow characteristics
- PP channel body can be cut, drilled and 'worked' easily on site

**= QUALITY ASSURANCE /
PERFORMANCE ASSURED**



IDEAL FOR ...

E 600 load environments subject to heavy-duty traffic e. g. service yards, industrial areas, parking areas.

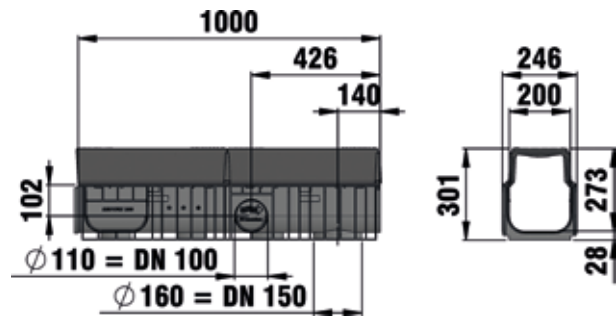
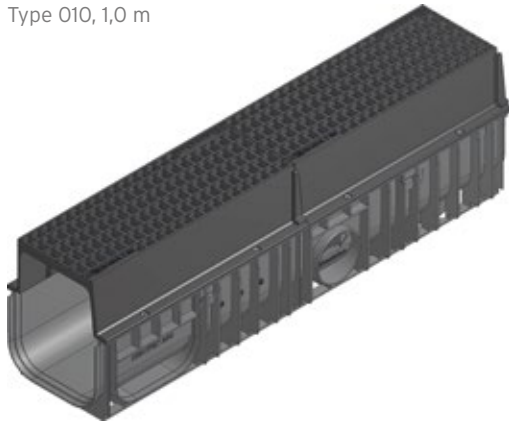


RECYFIX® TRAFFIC GUGIBLOC 200

Combi article

RECYFIX® TRAFFIC GUGIBLOC 200, class E 600

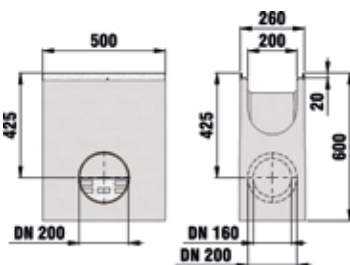
Type 010, 1,0 m



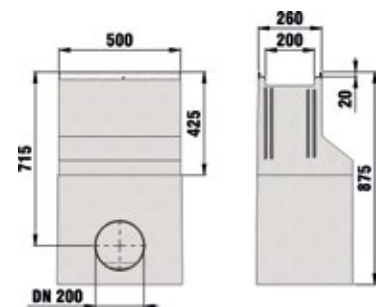
	Length mm	Width mm	Height mm	Internal channel cross-sect. cm ²	Intake cross-sect. cm ² /m	Weight kg	Item No.
Type 010, 1,0 m	1000	246	-	451	786	27,90	42842
Type 020, 1,0 m	1000	244	-	551	786	28,01	42844

Accessories

Trash boxes



Trash box
with galvanised bucket



Trash box, 2-pieces,
with galvanised mud bucket

	Length mm	Width mm	Height mm	Weight kg	Item No.
Trash box with galvanised bucket	500	260	600	72,17	12052
Trash box, 2-pieces, with galvanised mud bucket	500	260	875	177,00	12054
GUGI-Ductile mesh grating MW 15/25 mm, black, 0,5 m	500	249	20	867	12068

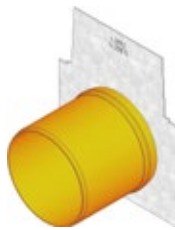
RECYFIX® TRAFFIC GUGIBLOC 200

Accessories

End caps



End cap closed,
type 010



End cap with outlet
DN/OD 160, galvanised,
type 010

	Length mm	Width mm	Height mm	Weight kg	Item No.
End cap closed, type 010	-	243	288	1,00	42882
End cap closed, type 020	-	243	338	1,20	42883
End cap with outlet DN/OD 160, galvanised, type 010	-	243	288	1,20	42892
End cap with outlet DN/OD 160, galvanised, type 020	-	243	338	1,40	42893

Further accessories



Foul air trap DN/OD 160



PVC-U pipe connection
element DN/OD 160



PVC-Connection
DN/OD 200

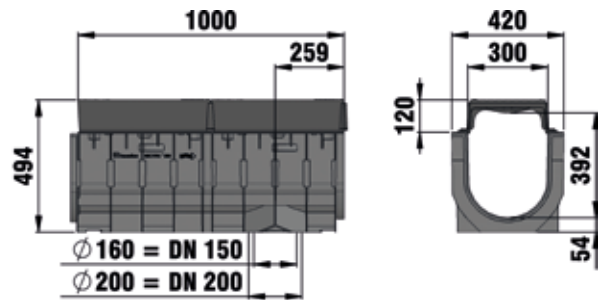
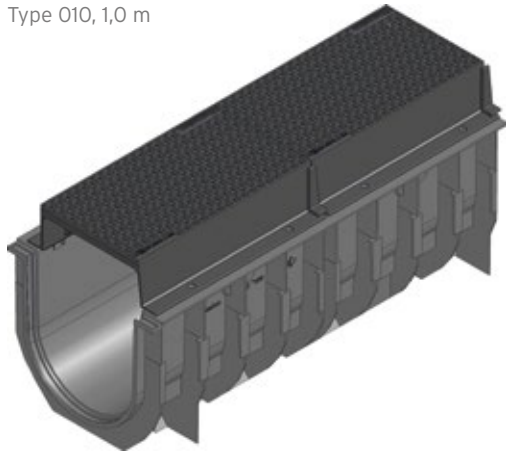
	Length mm	Width mm	Height mm	Weight kg	Item No.
Foul air trap DN/OD 160	584	160	439	2,00	960
PVC-U pipe connection element DN/OD 160	-	-	-	0,50	906
PVC-Connection DN/OD 200	-	-	-	0,80	907
Universal sealant/adhesive Siga-Meltell® 320 black**	-	-	-	0,97	19051
Tubular pistol for universal sealant/adhesive Siga-Meltell® 320 black**	-	-	-	1,30	6891

RECYFIX® TRAFFIC GUGIBLOC 300

Combi article

RECYFIX® TRAFFIC GUGIBLOC 300, class E 600

Type 010, 1,0 m

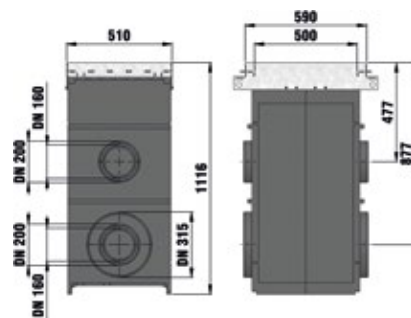
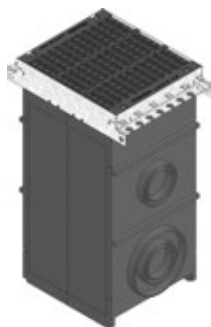


	Length mm	Width mm	Height mm	Internal channel cross-sect. cm ²	Intake cross-sect. cm ² /m	Weight kg	Item No.
--	--------------	-------------	--------------	-------------------------------------------------------	---------------------------------------------	--------------	-------------

Type 010, 1,0 m	1000	420	-	1055	1046	53,06	40942
-----------------	------	-----	---	------	------	-------	-------

Accessories

Trash boxes



Trash box with ductile iron grating
SW 3 x 140/20 mm, class E 600,
up to type 8000

	Length mm	Width mm	Height mm	Weight kg	Item No.
--	--------------	-------------	--------------	--------------	-------------

Trash box with ductile iron grating SW 3 x 140/20 mm, class E 600, up to type 8000	510	590	1116	101,00	16500
------------------------------------------------------------------------------------	-----	-----	------	--------	-------

RECYFIX® TRAFFIC GUGIBLOC 300

Accessories

End caps



End cap closed, galvanised, type 010



Connection plate, galvanised, Trash box RECYFIX TRAFFIC GUGIBLOC 300

	Length mm	Width mm	Height mm	Weight kg	Item No.
End cap closed, galvanised, type 010	-	373	494	2,74	40982
End cap with horizontal PVC-U pipe outlet DN/OD 200, type 010	-	373	489	3,45	40992
Connection plate, galvanised, Trash box RECYFIX TRAFFIC GUGIBLOC 300	-	453	372	2,63	40984

Further accessories

	Length mm	Width mm	Height mm	Weight kg	Item No.
Universal sealant/adhesive Siga-Meltell® 320 black**	-	-	-	0,97	19051
Tubular pistol for universal sealant/adhesive Siga-Meltell® 320 black**	-	-	-	1,30	6891

FASERFIX®
SUPER

FASERFIX®
KS

RECYFIX®
PLUS X

RECYFIX®
INC

RECYFIX®
MONOTEC

RECYFIX®
HICAP®F

FASERFIX®
POINT KS

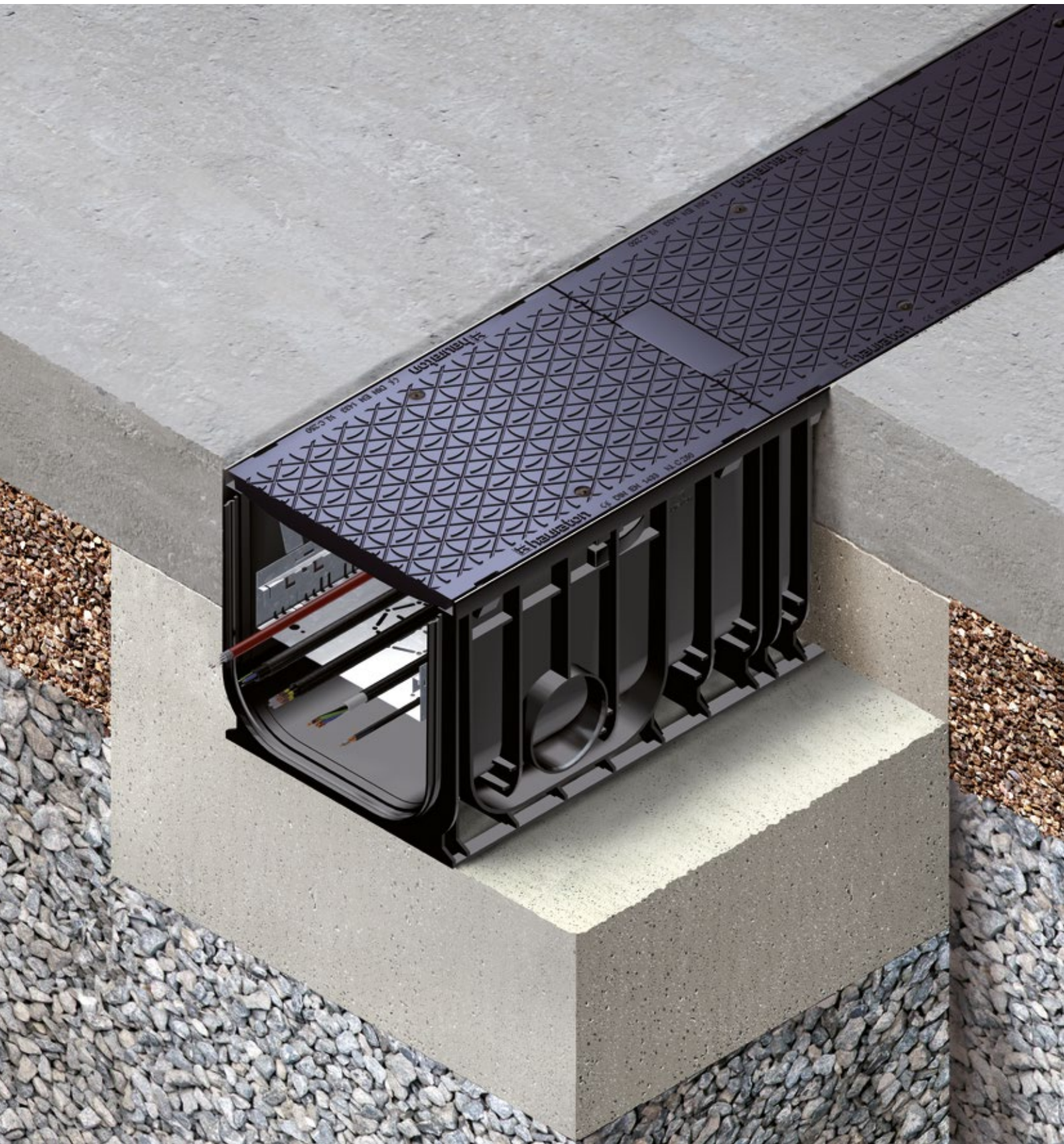
RECYFIX®
TRAFFIC GUGIBLOC

SERVICE
CHANNEL

KERBFIX 305

SERVICE CHANNEL

Accessible, floor-mounted system for temporary or permanent organisation and management of supply and information cables.





SERVICE CHANNEL

Accessible, floor-mounted system for temporary or permanent organisation and management of supply and information cables.

1 Requirements

Ground installed SERVICE CHANNELS have to:

- ensure a temporary or permanent operation
- withstand daily changing requirements under extreme loads
- offer a quick, easy and flexible installation
- allow quick access everywhere
- make the cable routing invisible

2 Application areas

- exhibition halls
- production workshops
- stadiums

3 Solutions

The SERVICE CHANNEL System is a tried-and-tested solution for a variety of applications. It offers:

- channel systems made of high-quality materials such as fibre-reinforced concrete (Basalt fibres) or 100% recycled composite for maximum stability and security
- a simple installation with various connection possibilities like T- and corner-connections for cost savings and flexibility
- inside cable routing for an attractive overall appearance with a large internal cross-section and optionally available cable-routing system



Henryk-Reyman-Stadium in Krakow, Poland



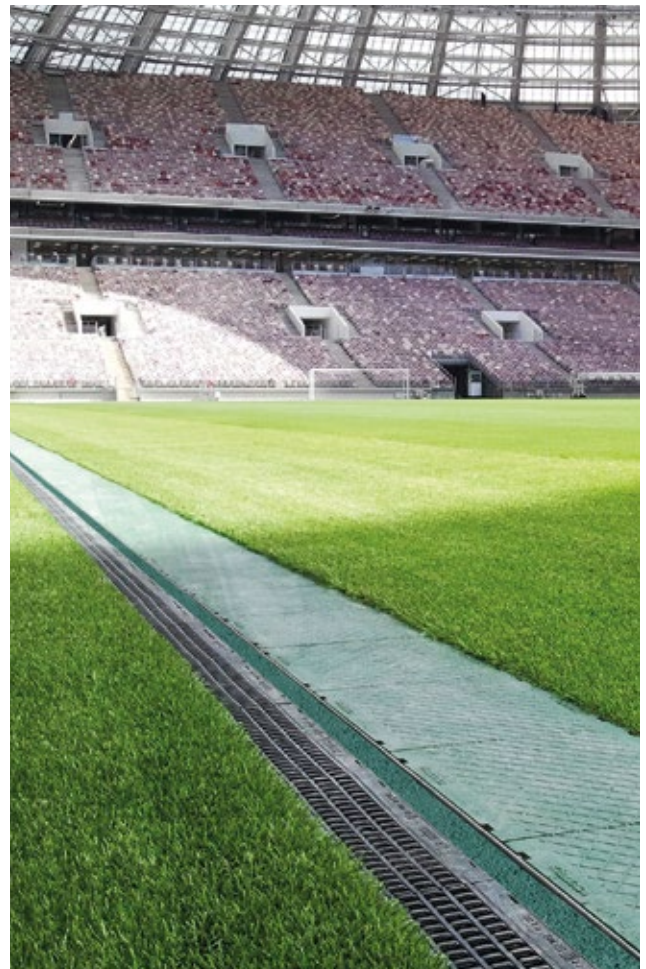
Warsaw Spire Office Building in Warsaw, Poland



Volvo prototype factory in Wrocław, Poland



Production Workshop RULMECA in Aschersleben, Germany



Luschniki-Stadium in Moscow, Russia

FASERFIX® SUPER
FASERFIX® KS
RECYFIX® PLUS X
RECYFIX® INC
RECYFIX® MONOTEC
RECYFIX® HICAP®F
FASERFIX® POINT KS
FASERFIX® TRAFFIC GUGIBLOC RECYFIX® TRAFFIC GUGIBLOC
SERVICE CHANNEL
KERBFIX 305

YOUR BENEFITS WITH SERVICE CHANNEL FASERFIX KS

HIGH-PERFORMANCE ANGLE HOUSING & BOLTLESS LOCKING SYSTEM SIDE-LOCK

- 20 mm x 20 mm angle housing and inlaying covers
- extremely stable connection between angle housing and concrete
- 8 fixing points for the cover
- additional protection against horizontal movement
- 90% time savings when fixing the cover
- Insertion of the cover without special tools, one screwdriver is sufficient

= **QUALITY ASSURED /
COST SAVINGS**



HIGH STABILITY

- maximum lateral stability
- extra thick wall thickness compared to many competitor products, for additional safety in extreme situations
- installation for asphalt surfaces up to class E 600, without concrete stretcher

= **PERFORMANCE ASSURED /
DURABILITY**



HIGH-GRADE MATERIAL

- "Made in Germany"
- maximum stability due to fibre-reinforced concrete (Basalt fibres) with low weight
- strong adhesion on foundation concrete (same coefficient)
- installation without cover possible
- fire resistance class A1 (non-flammable) according to DIN 4102

= **QUALITY ASSURED /
DURABILITY**



UNIQUE DUCTILE IRON GRATINGS WITH NUMEROUS COMBINATION OPTIONS

- high-quality KTL-coating
- anti-slip feature
- extremely durable
- easy opening and closing of the cover due to boltless locking system **SIDE-LOCK**
- various covers: closed, with opening for cable outlet

= **DESIGN FLEXIBILITY / PERFORMANCE ASSURED**



OPTIONAL BLIND COVER FOR DUCTILE IRON GRATING WITH CABLE OPENING

- KTL-coated
- easy opening and closing of the cable inlet and outlet

= **DESIGN FLEXIBILITY**



LARGE, CLEAR CROSS-SECTION

- storage space for cables and wires
- optional on two levels (see cable routing system accessories)

= **DESIGN FLEXIBILITY**



OPTIONAL CABLE-ROUTING SYSTEM

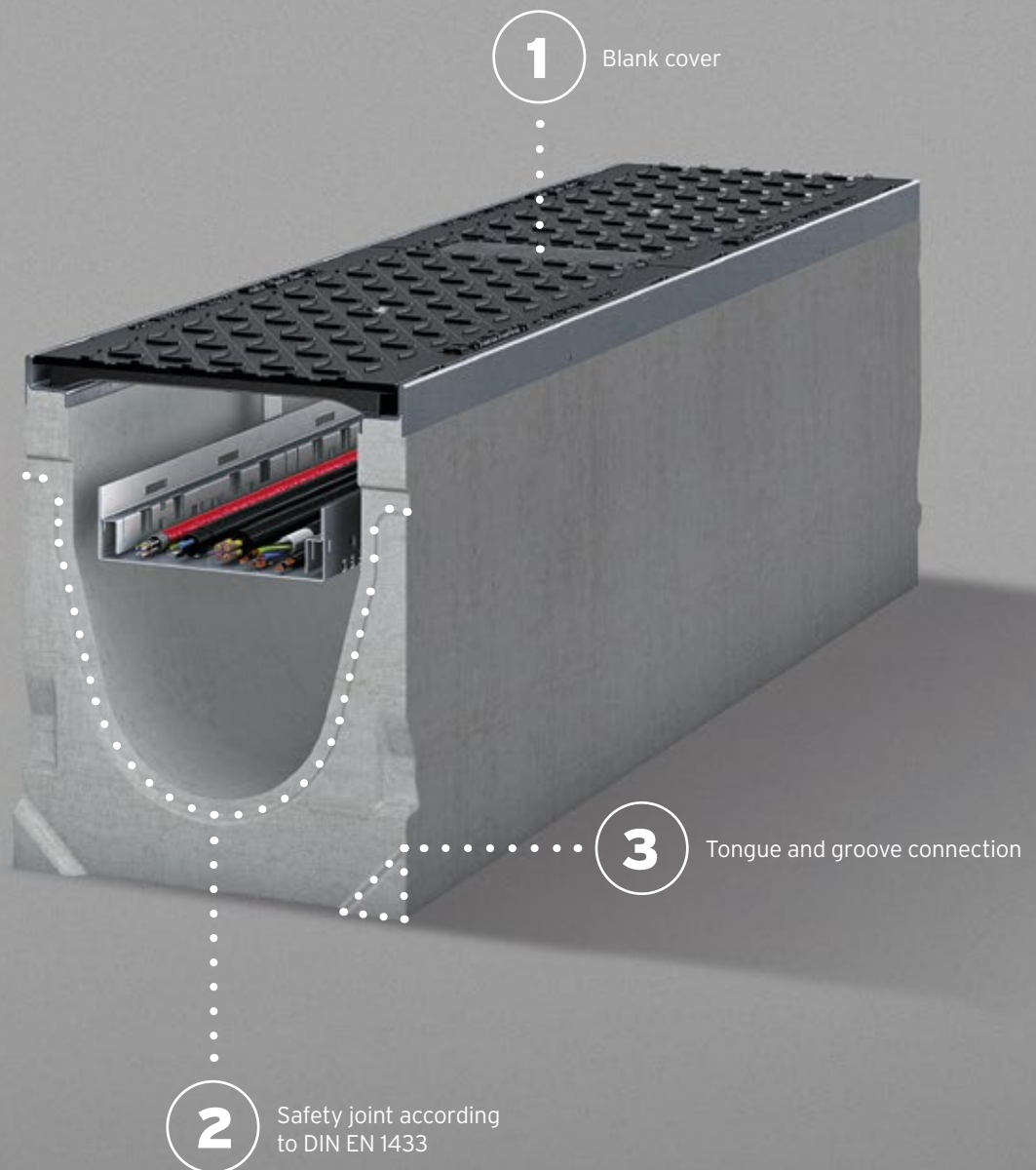
- for guiding cables and wires in an elevated position (see cable routing system accessories)
- easier laying and accessibility of cables and lines

= **DESIGN FLEXIBILITY**



IDEAL FOR ...

applications for laying cables and lines in the ground which can be easily accessed at all times and the surfaces of which are driven on with heavy wheel loads.



SERVICE CHANNEL FASERFIX KS

Accessible, floor-mounted system for temporary or permanent organisation and management of supply and information cables.

SERVICE CHANNEL FASERFIX KS channels meet the requirements of DIN EN 1433 and are suitable for the following load categories:



Category A 15,
Load class 15 kN



Category B 125,
Load class 125 kN



Category C 250,
Load class 250 kN



Category D 400,
Load class 400 kN



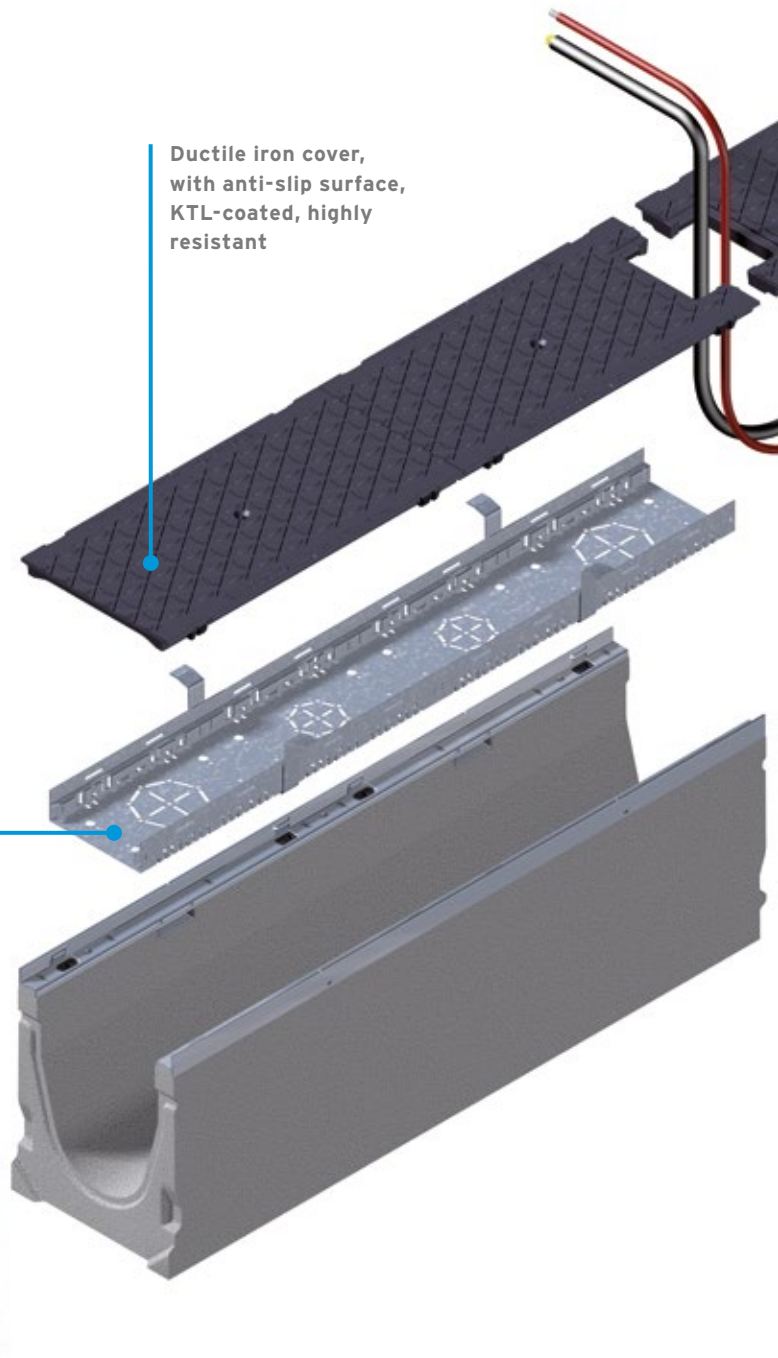
Category E 600,
Load class 600 kN

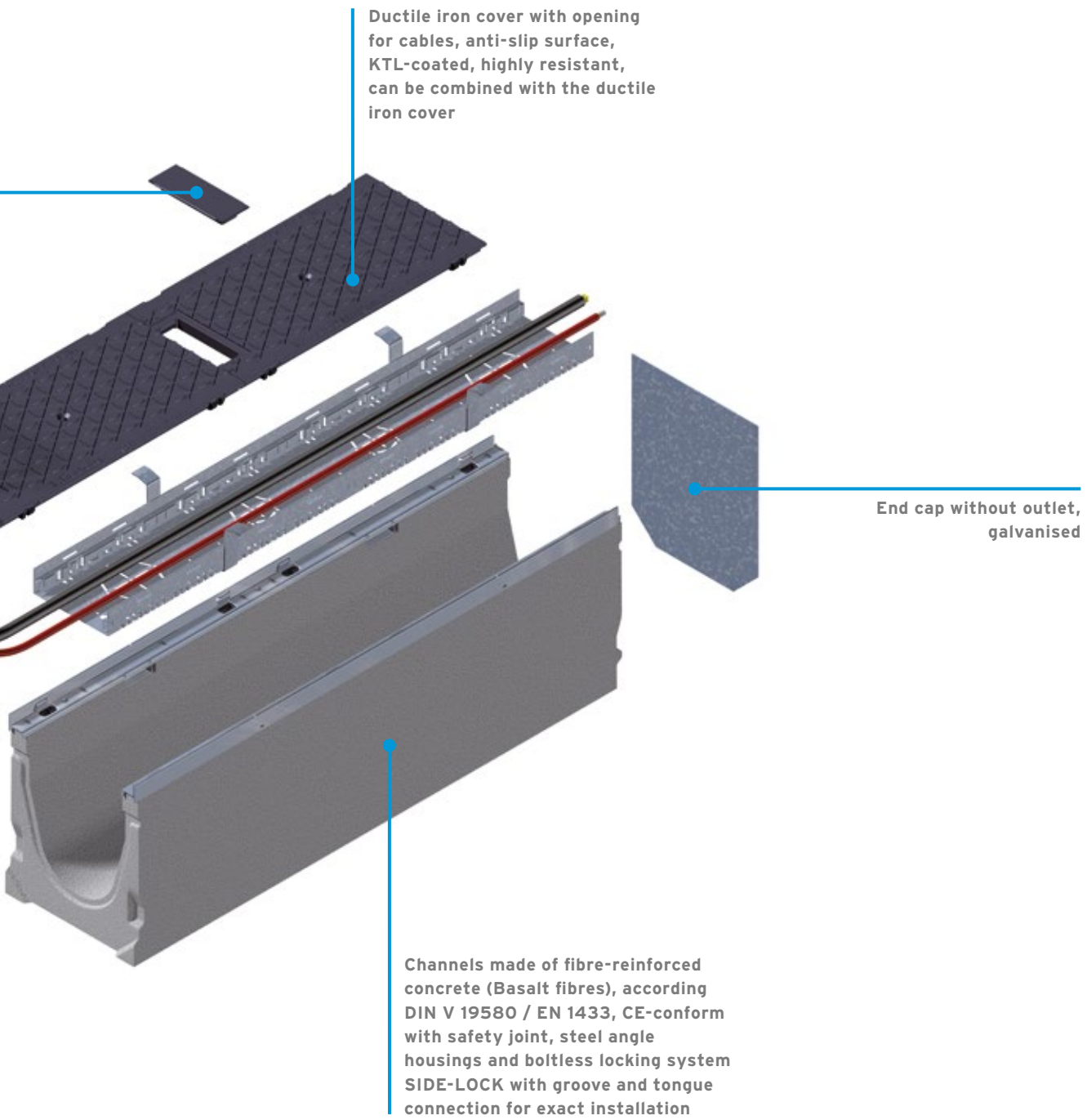
Cover for cable opening
for ductile iron cover,
black, KTL-coated

Ductile iron cover,
with anti-slip surface,
KTL-coated, highly
resistant

Cable routing system
galvanised for laying
various media and cables

End cap without outlet,
galvanised





FASERFIX® SUPER
FASERFIX® KS
RECYFIX® PLUS X
RECYFIX® INC
RECYFIX® MONOTEC
RECYFIX® HICAP®F
FASERFIX® POINT KS
FASERFIX® TRAFFIC GUGBLOC RECYFIX® TRAFFIC GUGBLOC
SERVICE CHANNEL
KERBFIX 305

YOUR BENEFITS WITH SERVICE CHANNEL RECYFIX PRO

ANGLE HOUSINGS

- recycled composite angle housing (PP) according to DIN 19580
- recesses for longitudinal thrust protection
- inlaying gratings

= **QUALITY ASSURED**



LOW WEIGHT ENSURES EASY HANDLING ON SITE

- considerably lighter than channels made of polymer/resin concrete
- easy transport and installation

= **COST SAVINGS**



HIGH-GRADE MATERIALS

- **RECYFIX** - robust and breakproof
- elastic and particularly resistant material
- withstands high traffic loads and temperature differences in daily use
- 100 % recycled channel body (and 100 % recyclable)
- 100 % environmentally friendly
- non-conductive
- the channel body made of PP can be cut, drilled and machined on site without any problems

= **PERFORMANCE ASSURED**



UNIQUE DUCTILE IRON GRATINGS WITH VARIOUS COMBINATION OPTIONS

- high-quality KTL-coating
- anti-slip feature
- extremely durable
- various covers: closed, with opening for cable outlet

= **DESIGN FLEXIBILITY / PERFORMANCE ASSURED**



OPTIONAL BLIND COVER FOR DUCTILE IRON GRATING WITH CABLE OPENING

- KTL-coated
- easy opening and closing of the cable inlet and outlet

= **DESIGN FLEXIBILITY**



OPTIONAL CABLE ROUTING SYSTEM

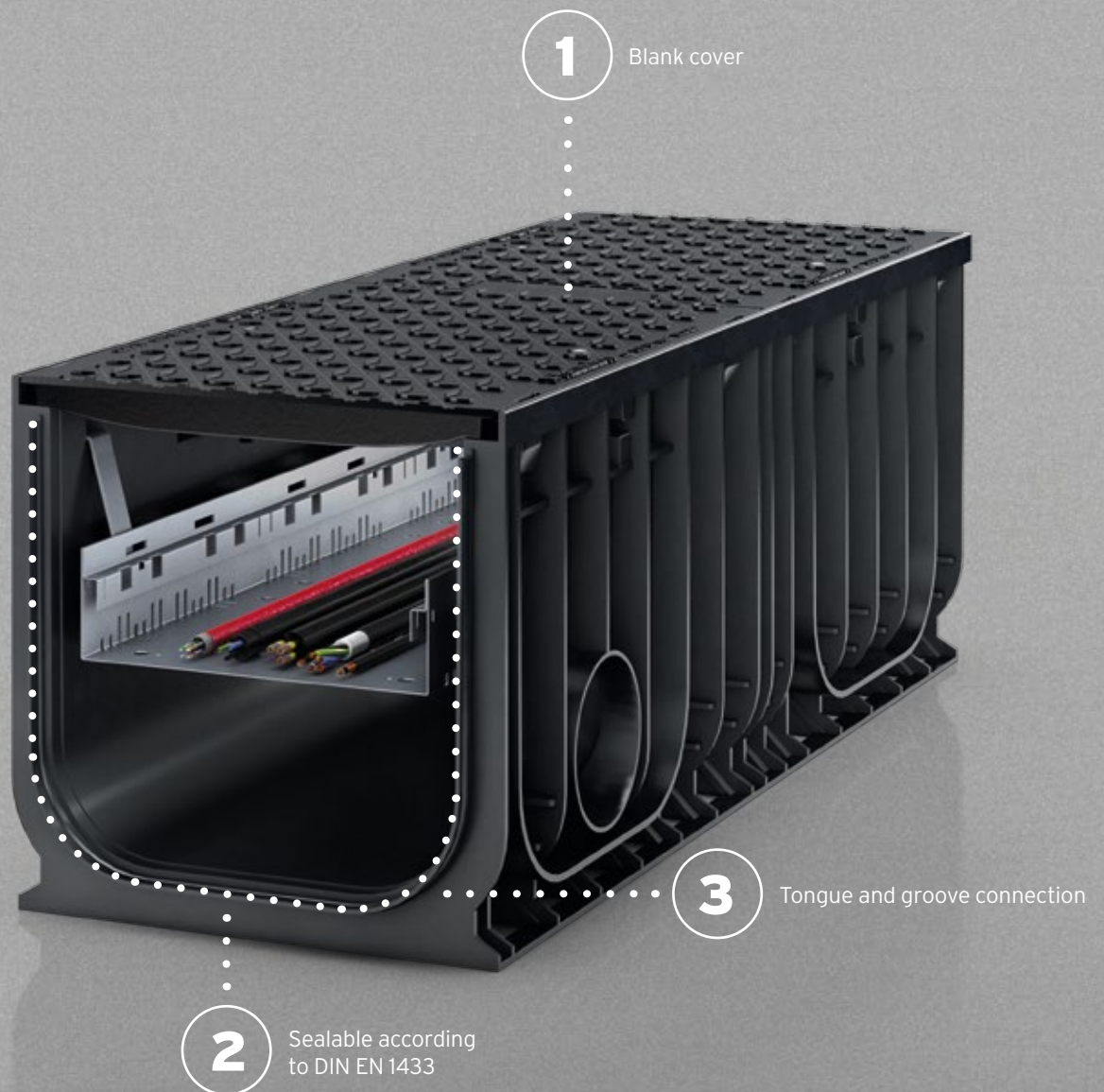
- for guiding cables and wires in an elevated position (see cable routing system accessories)
- easier laying and accessibility of cables and lines

= **DESIGN FLEXIBILITY**



IDEAL FOR ...

ground installed cable routing applications which are easily accessible at all times.



100 % corrosion-free

SERVICE CHANNEL RECYFIX PRO

Accessible, floor-mounted system for temporary or permanent organisation and management of supply and information cables.

SERVICE CHANNEL RECYFIX PRO channels meet the requirements of DIN EN 1433 and are suitable for the following load categories:



Category A 15,
Load class 15 kN



Category B 125,
Load class 125 kN



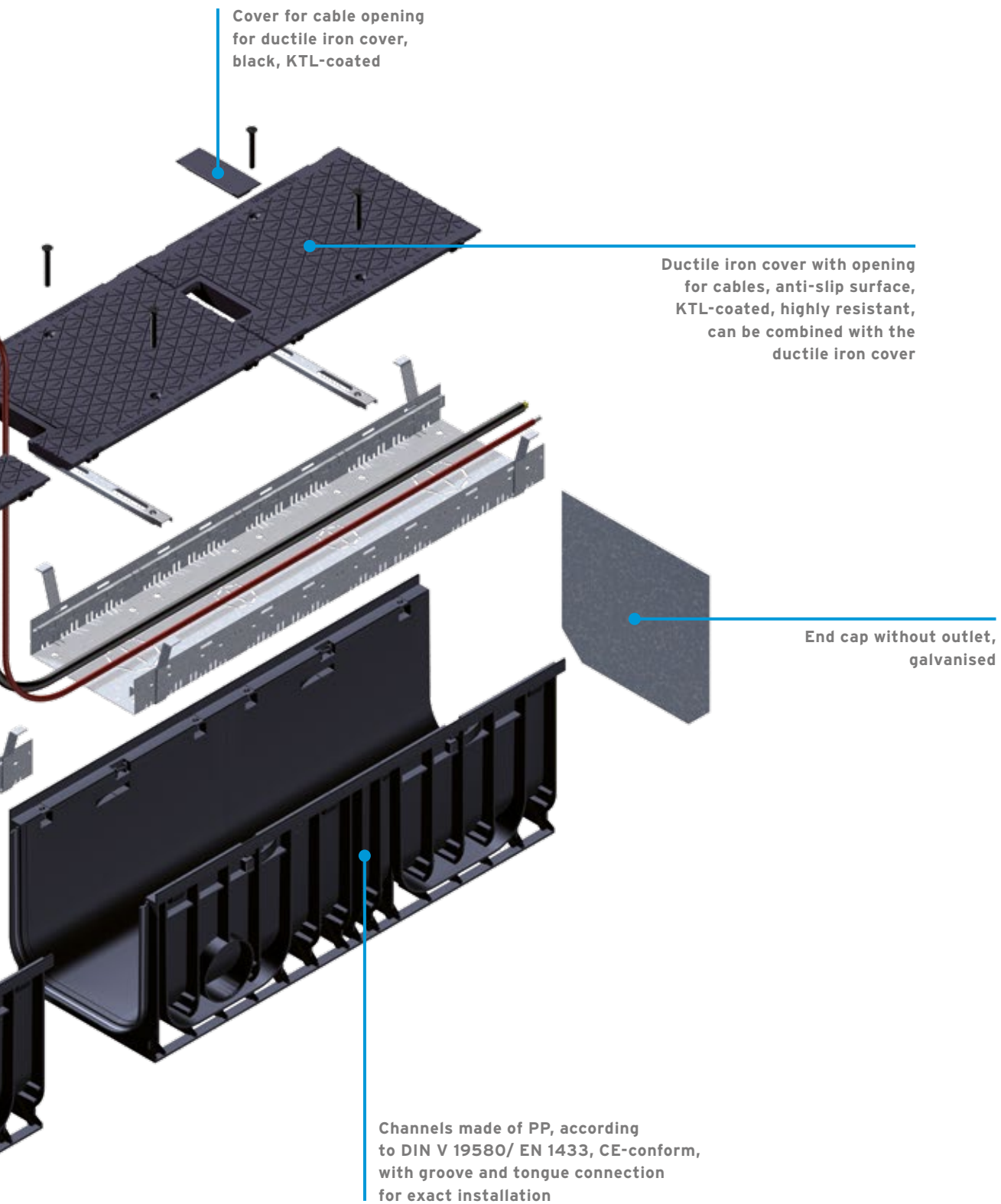
Category C 250,
Load class 250 kN

Ductile iron cover,
with anti-slip surface,
KTL-coated, highly
resistant

Cable routing system
galvanised for laying
various media and cables

End cap without outlet,
galvanised



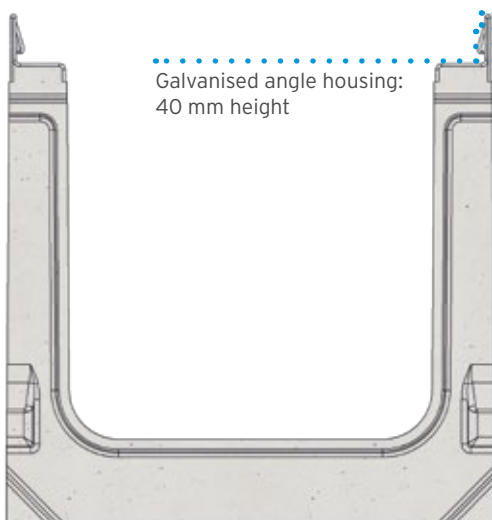


FASERFIX® SUPER
FASERFIX® KS
RECYFIX® PLUS X
RECYFIX® INC
RECYFIX® MONOTEC
RECYFIX® HICAP®F
FASERFIX® POINT KS
FASERFIX® TRAFFIC GUGIBLOC RECYFIX® TRAFFIC GUGIBLOC
SERVICE CHANNEL
KERBFIX 305

STRONG. LARGE. RELIABLE.

Ideal for:

Floor-mounted cable routing applications which can be easily accessed at all times and used as heavy-duty surfaces.



SERVICE CHANNEL FASERFIX SUPER

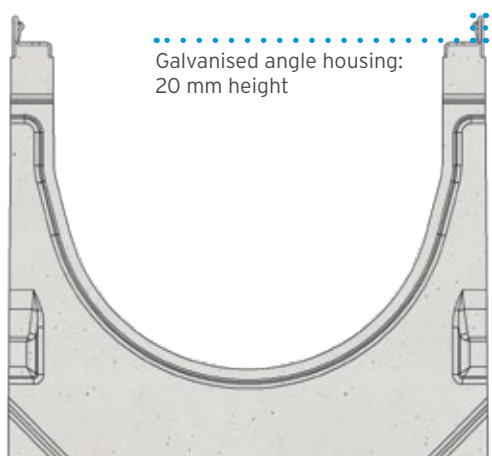
Made of fibre-reinforced concrete (Basalt fibres) with 40 mm angle housing

Nominal width:

- NW 150
- NW 200
- NW 300
- NW 400
- NW 500

Load class:

E 600; extreme load situations and high dynamic forces



SERVICE CHANNEL FASERFIX KS

Made of fibre-reinforced concrete (Basalt fibres) with 20 mm angle housing

Nominal width:

- NW 100
- NW 150
- NW 200
- NW 300

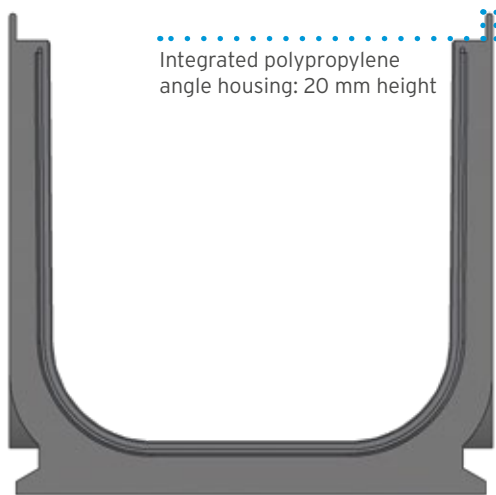
Load class:

E 600; extreme load situations
C 250; medium load situations with moderate traffic

RECYCLABLE.
LIGHT.
RELIABLE.

Ideal for:

Floor-mounted cable routing applications which are easily accessible at all times.



SERVICE CHANNEL RECYFIX PRO

Made of polypropylene with 20 mm integrated polypropylene angle housing

Nominal width:

- NW 200
- NW 300

Load class:

C 250; medium load situations with moderate traffic



DIN 19580 / EN 1433

The load classes are described in DIN 19580 / EN 1433 and standardised in classes A 15 to F 900. The specified values refer to the test load in kilonewtons (kN).

FASERFIX®
SUPER

FASERFIX®
KS

RECYFIX®
PLUS X

RECYFIX®
INC

RECYFIX®
MONOTEC

RECYFIX®
HICAP®F

FASERFIX®
POINT KS

FASERFIX®
TRAFFIC GUGIBLOC
RECYFIX®
TRAFFIC GUGIBLOC

SERVICE
CHANNEL

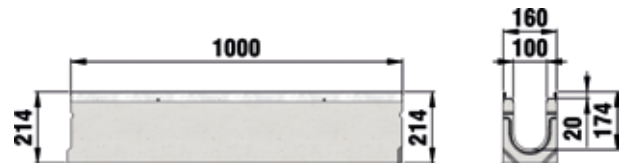
KERBFIX 305

SERVICE CHANNEL 100

Systems SERVICE CHANNELS

SERVICE CHANNEL FASERFIX®KS 100 made of fibre-reinforced concrete (Basalt fibres) with 20 mm angle housing, **class E 600**

Type 010, 1,0 m



Ductile iron solid cover, black, KTL-coated, locked, 0,5 m



End cap closed, galvanised, type 010



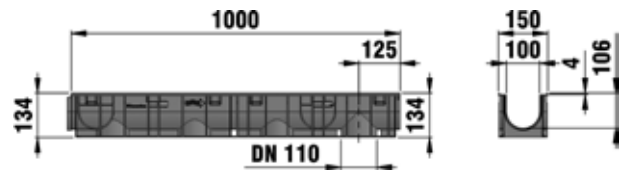
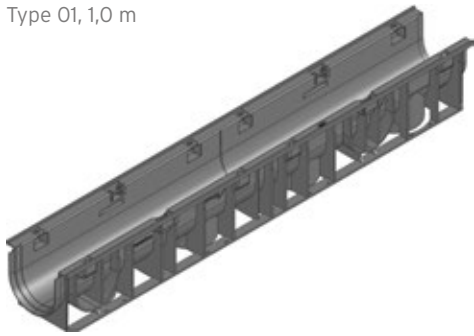
Installation aid NW 100 (exclusively for laying channels! For laying 2 pieces are necessary) - due to security reasons no return can be made

	Length mm	Width mm	Height mm	Internal channel cross-sect. cm ²	Weight kg	Item No.
Type 010, 1,0 m	1000	160	214	143	40,21	32049
Type 20, 1,0 m	1000	160	274	206	49,00	32050
Ductile iron solid cover, black, KTL-coated, locked, 0,5 m	500	149	20	-	4,70	32051
End cap closed, galvanised, type 010	-	160	214	0,48	0,48	32052
End cap closed, galvanised, type 020	-	160	274	0,64	0,64	32053
Installation aid NW 100 (exclusively for laying channels! For laying 2 pieces are necessary) - due to security reasons no return can be made	-	-	-	1,60	1,60	705

SERVICE CHANNEL 100

NEW SERVICE CHANNEL RECYFIX®STANDARD 100 made of polypropylene with polypropylene frame, **class A 15**

Type 01, 1,0 m



Bulp plate, galvanised, 1,0 m

	Length mm	Width mm	Height mm	Internal channel cross-sect. cm ²	Weight kg	Item No.
Type 01, 1,0 m	1000	150	134	92	1,91	33333
Type 010, 1,0 m	1000	150	185	142	3,00	32105
Bulp plate, galvanised, 1,0 m	1000	137	4	-	3,10	32106

Accessories

Factory-made services



Cutting to length of NW 100



Mitre cuts NW 100 (price per cut, two cuts necessary)

	Length mm	Width mm	Height mm	Weight kg	Item No.
Cutting to length of NW 100	-	-	-	-	990
Mitre cuts NW 100 (price per cut, two cuts necessary)	-	-	-	-	995

FASERFIX®
SUPER

FASERFIX®
KS

RECYFIX®
PLUS X

RECYFIX®
INC

RECYFIX®
MONOTEC

RECYFIX®
HICAP®F

FASERFIX®
POINT KS

FASERFIX®
TRAFFIC GUGBLOC
RECYFIX®
TRAFFIC GUGBLOC

SERVICE
CHANNEL

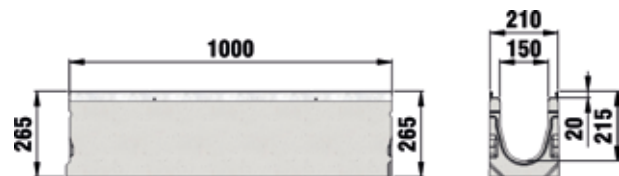
KERBFIX 305

SERVICE CHANNEL 150

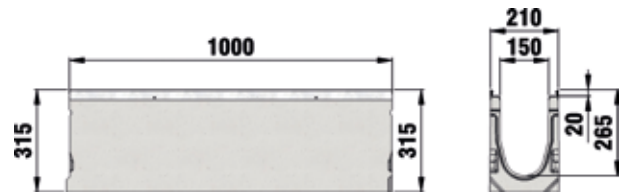
Systems SERVICE CHANNELS

SERVICE CHANNEL FASERFIX®KS 150 made of fibre-reinforced concrete (Basalt fibres) with 20 mm angle housing, **class E 600**

Type 010, 1,0 m



Type 020, 1,0 m



Ductile iron solid cover, black, KTL-coated, locked, 0,5 m



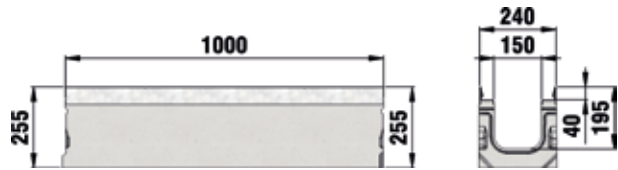
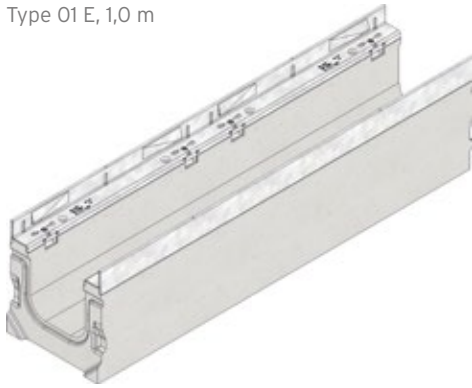
End cap closed, galvanised, type 010

	Length mm	Width mm	Height mm	Internal channel cross-sect. cm ²	Weight kg	Item No.
Type 010, 1,0 m	1000	210	265	245	60,17	32054
Type 020, 1,0 m	1000	210	315	312	69,55	32055
Ductile iron solid cover, black, KTL-coated, locked, 0,5 m	500	199	20	-	7,00	32059
End cap closed, galvanised, type 010	-	210	265	0,83	0,83	32061
End cap closed, galvanised, type 020	-	210	315	0,99	0,99	32062
Installation aid NW 150 (exclusively for laying channels! For laying 2 pieces are necessary) - due to security reasons no return can be made	-	-	-	2,09	2,09	136018

SERVICE CHANNEL 150

SERVICE CHANNEL FASERFIX®SUPER 150 made of fibre-reinforced concrete (Basalt fibres) with 40 mm angle housing, **class E 600**

Type 01 E, 1,0 m



Ductile iron solid cover, black, with plastic caps, 0,5 m



Ductile iron solid cover, black, KTL-coated, with plastic caps, locked, 0,5 m



End cap closed, galvanised, type 01 E

	Length mm	Width mm	Height mm	Internal channel cross-sect. cm ²	Weight kg	Item No.
Type 01 E, 1,0 m	1000	240	255	223	80,00	32056
Ductile iron solid cover, black, with plastic caps, 0,5 m	500	229	40	-	10,70	32060
Ductile iron solid cover, black, KTL-coated, with plastic caps, locked, 0,5 m	500	229	40	-	10,65	32345
End cap closed, galvanised, type 01 E	-	240	255	0,92	0,92	32063
Installation aid NW 150 (exclusively for laying channels! For laying 2 pieces are necessary) - due to security reasons no return can be made	-	-	-	2,09	2,09	136018

Accessories

Factory-made services



Cutting to length
of NW 150

	Length mm	Width mm	Height mm	Weight kg	Item No.
Cutting to length of NW 150	-	-	-	-	991
Mitre cuts NW 150 (price per cut, two cuts necessary)	-	-	-	-	996

FASERFIX®
SUPER

FASERFIX®
KS

RECYFIX®
PLUS X

RECYFIX®
INC

RECYFIX®
MONOTEC

RECYFIX®
HICAP®F

FASERFIX®
POINT KS

FASERFIX®
TRAFFIC GUGIBLOC
RECYFIX®
TRAFFIC GUGIBLOC

SERVICE
CHANNEL

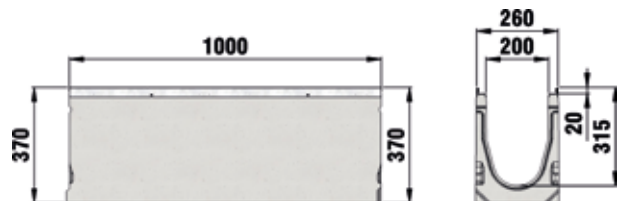
KERBFIX 305

SERVICE CHANNEL 200

Systems SERVICE CHANNELS

SERVICE CHANNEL FASERFIX®KS 200 made of fibre-reinforced concrete (Basalt fibres) with 20 mm angle housing, **class C 250 / E 600**

Type O20, 1,0 m



Ductile iron solid cover, black, KTL-coated, class C 250, locked, 0,5 m



Ductile iron solid cover with opening for cables, (SW 128/49 mm), black, KTL-coated class C 250, locked, 0,5 m



Ductile iron solid cover, black, KTL-coated, class E 600, locked, 0,5 m



Cover for cable opening for ductile iron solid cover, KTL-coated steel, black



End cap closed, galvanised, type O10



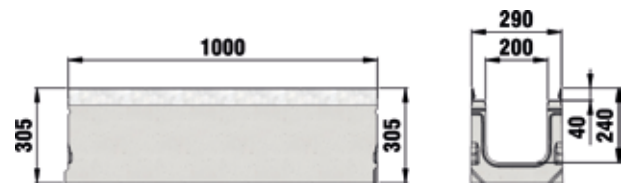
End cap closed, galvanised, type O20

	Length mm	Width mm	Height mm	Internal channel cross-sect. cm ²	Weight kg	Item No.
Type O10, 1,0 m	1000	260	320	409	84,92	32066
Type O20, 1,0 m	1000	260	370	509	91,64	32067
Ductile iron solid cover, black, KTL-coated, class C 250, locked, 0,5 m	500	249	20	-	7,35	32033
Ductile iron solid cover with opening for cables, (SW 128/49 mm), black, KTL-coated class C 250, locked, 0,5 m	500	249	20	-	8,09	32037
Ductile iron solid cover, black, KTL-coated, class E 600, locked, 0,5 m	500	249	20	-	8,70	32072
Cover for cable opening for ductile iron solid cover, KTL-coated steel, black	152	59	20	-	-	32048
End cap closed, galvanised, type O10	-	260	320	1,23	1,23	32076
End cap closed, galvanised, type O20	-	260	370	1,46	1,46	32077
Installation aid NW 200 (exclusively for laying channels! For laying 2 pieces are necessary) - due to security reasons no return can be made	-	-	-	2,62	2,62	136202

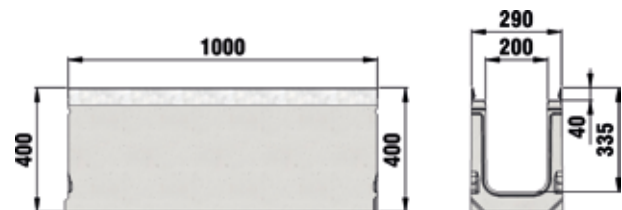
SERVICE CHANNEL 200

SERVICE CHANNEL FASERFIX®SUPER 200 made of fibre-reinforced concrete (Basalt fibres) with 40 mm angle housing, **class E 600**

Type 01 E, 1,0 m



Type 020 E, 1,0 m



Ductile iron solid cover, black, with plastic caps, 0,5 m



Ductile iron solid cover, black, KTL-coated, with plastic cap, locked, 0,5 m



End cap closed, galvanised, type 010 E



End cap closed, galvanised, type 020 E

	Length mm	Width mm	Height mm	Internal channel cross-sect. cm ²	Weight kg	Item No.
Type 01 E, 1,0 m	1000	290	305	386	104,50	32068
Type 010 E, 1,0 m	1000	290	350	473	113,50	32069
Type 020 E, 1,0 m	1000	290	400	568	124,50	32070
Ductile iron solid cover, black, with plastic caps, 0,5 m	500	279	40	-	13,40	32073
Ductile iron solid cover, black, KTL-coated, with plastic cap, locked, 0,5 m	500	279	40	-	13,40	32348
End cap closed, galvanised, type 01 E	-	290	305	1,43	1,43	32078
End cap closed, galvanised, type 010 E	-	290	350	1,66	1,66	32079
End cap closed, galvanised, type 020 E	-	290	400	1,88	1,88	32080
Installation aid NW 200 (exclusively for laying channels! For laying 2 pieces are necessary) - due to security reasons no return can be made	-	-	-	2,62	2,62	136202

FASERFIX®
SUPER

FASERFIX®
KS

RECYFIX®
PLUS X

RECYFIX®
INC

RECYFIX®
MONOTEC

RECYFIX®
HICAP®F

FASERFIX®
POINT KS

FASERFIX®
TRAFFIC GUGIBLOC
RECYFIX®
TRAFFIC GUGIBLOC

SERVICE
CHANNEL

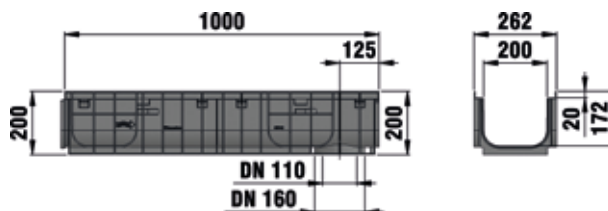
KERBFIX 305

SERVICE CHANNEL 200

Systems SERVICE CHANNELS

SERVICE CHANNEL RECYFIX®PRO 200 made of polypropylene with 20 mm integrated polypropylene angle housing, **class C 250**

Type 010, 1,0 m



Ductile iron solid cover with opening for cables, (128 mm x 49 mm), black, KTL-coated, locked, 0,5 m



Ductile iron solid cover, black, KTL-coated, locked, 0,5 m



Cover for cable opening for ductile iron solid cover, KTL-coated steel, black



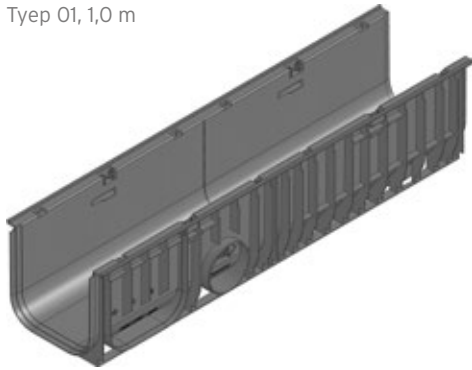
End cap with or without horizontal pipe outlet DN/OD 110, modified PP, type 010

	Length mm	Width mm	Height mm	Internal channel cross-sect. cm ²	Weight kg	Item No.
Type 010, 1,0 m	1000	262	200	294	3,17	32071
Ductile iron solid cover, black, KTL-coated, locked, 0,5 m	500	249	20	-	8,41	32074
Ductile iron solid cover with opening for cables, (128 mm x 49 mm), black, KTL-coated, locked, 0,5 m	500	249	20	-	8,09	32075
Cover for cable opening for ductile iron solid cover, KTL-coated steel, black	152	59	20	-	-	32048
End cap with or without horizontal pipe outlet DN/OD 110, modified PP, type 010	-	258	217	0,20	0,20	32081
Locking handle and screw	-	-	-	0,05	0,05	32082

SERVICE CHANNEL 200

NEW SERVICE CHANNEL RECYFIX®STANDARD 100 made of polypropylene with polypropylene frame, **class A 15**

Typ 01, 1,0 m



	Length mm	Width mm	Height mm	Internal channel cross-sect. cm ²	Weight kg	Item No.
Type 010, 1,0 m	1000	156	185	294	3,00	33336
Type 020, 1,0 m	1000	256	235	394	3,50	33337
Bulp plate, closed, galvanised, 1,0 m	1000	240	4	-	5,95	33335

Accessories

Cable routing system



Cable tray, galvanised, FASERFIX SUPER / RECYFIX PRO 200, 1,0 m

	Length mm	Width mm	Height mm	Weight kg	Item No.
Cable tray, galvanised, SERVICE CHANNEL FASERFIX KS 200, 1,0 m	-	-	-	2,74	32083
Cable tray, galvanised, FASERFIX SUPER / RECYFIX PRO 200, 1,0 m	-	-	-	2,73	32084

Factory-made services



Cutting to length of NW 200

	Length mm	Width mm	Height mm	Weight kg	Item No.
Cutting to length of NW 200	-	-	-	-	992
Mitre cuts NW 200 (price per cut, two cuts necessary)	-	-	-	-	997

FASERFIX®
SUPER

FASERFIX®
KS

RECYFIX®
PLUS X

RECYFIX®
INC

RECYFIX®
MONOTEC

RECYFIX®
HICAP®F

FASERFIX®
POINT KS

FASERFIX®
TRAFFIC GUGIBLOC
RECYFIX®
TRAFFIC GUGIBLOC

SERVICE
CHANNEL

KERBIFIX 305

SERVICE CHANNEL 300

Systems SERVICE CHANNELS

SERVICE CHANNEL FASERFIX®KS 300 made of fibre-reinforced concrete (Basalt fibres) with 20 mm angle housing, **class C 250**

Type 010, 1,0 m



Ductile iron solid cover, black, KTL-coated, locked, 0,5 m



Ductile iron solid cover with opening for cables, (SW 128/49 mm), black, KTL-coated, locked, 0,5 m



Cover for cable opening for ductile iron solid cover, KTL-coated steel, black



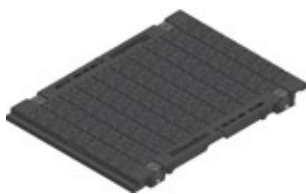
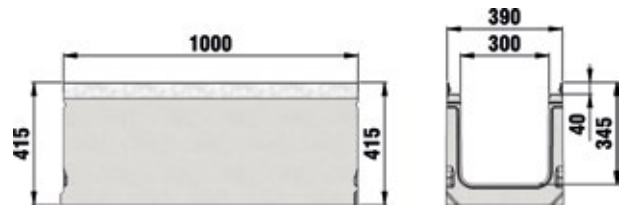
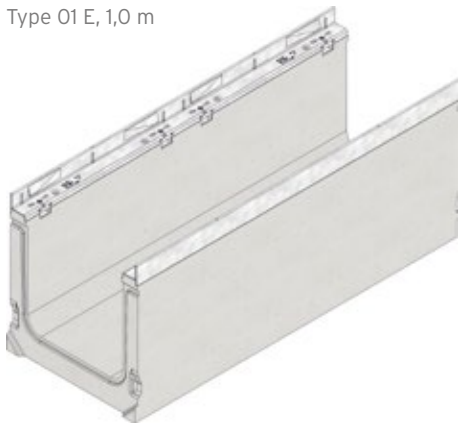
End cap closed, galvanised, type 010

	Length mm	Width mm	Height mm	Internal channel cross-sect. cm ²	Weight kg	Item No.
Type 010, 1,0 m	1000	360	340	634	117,21	32085
Ductile iron solid cover, black, KTL-coated, locked, 0,5 m	500	349	20	-	11,80	32041
Ductile iron solid cover with opening for cables, (SW 128/49 mm), black, KTL-coated, locked, 0,5 m	500	349	20	-	14,10	32045
Cover for cable opening for ductile iron solid cover, KTL-coated steel, black	152	59	20	-	-	32048
End cap closed, galvanised, type 010	-	360	340	1,87	1,87	32091
Installation aid NW 300 (exclusively for laying channels! For laying 2 pieces are necessary) - due to security reasons no return can be made	-	-	-	3,66	3,66	136242

SERVICE CHANNEL 300

SERVICE CHANNEL FASERFIX®SUPER 300 made of fibre-reinforced concrete (Basalt fibres) with 40 mm angle housing, **class E 600**

Type 01 E, 1,0 m



Ductile iron solid cover, black, with plastic caps, 0,5 m



Ductile iron solid cover, black, KTL-coated, with plastic caps, locked, 0,5 m



End cap closed, type 01 E

	Length mm	Width mm	Height mm	Internal channel cross-sect. cm ²	Weight kg	Item No.
Type 01 E, 1,0 m	1000	390	415	900	133,65	32086
Ductile iron solid cover, black, with plastic caps, 0,5 m	500	377	40	-	21,50	32088
Ductile iron solid cover, black, KTL-coated, with plastic caps, locked, 0,5 m	500	377	40	-	21,50	32346
End cap closed, type 01 E	-	390	415	2,67	2,67	32092
Installation aid NW 300 (exclusively for laying channels! For laying 2 pieces are necessary) - due to security reasons no return can be made	-	-	-	3,66	3,66	136242

FASERFIX®
SUPER

FASERFIX®
KS

RECYFIX®
PLUS X

RECYFIX®
INC

RECYFIX®
MONOTEC

RECYFIX®
HICAP®F

FASERFIX®
POINT KS

FASERFIX®
TRAFFIC GUGBLOC
RECYFIX®
TRAFFIC GUGBLOC

SERVICE
CHANNEL

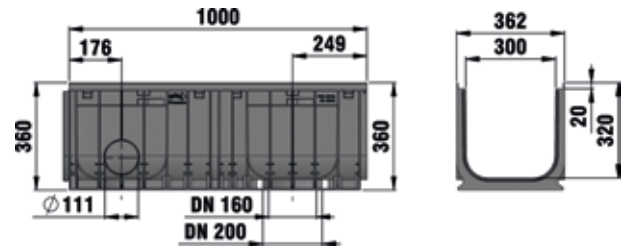
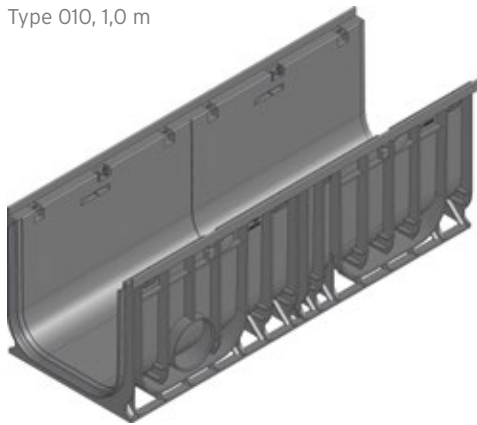
KERBFIX 305

SERVICE CHANNEL 300

Systems SERVICE CHANNELS

SERVICE CHANNEL RECYFIX®PRO 300 made of polypropylene with 20 mm integrated polypropylene angle housing, **class C 250**

Type 010, 1,0 m



Ductile iron solid cover, black, KTL-coated, locked, 0,5 m



Ductile iron solid cover with opening for cables, (SW 128/49 mm), black, KTL-coated, locked, 0,5 m



Cover for cable opening for ductile iron solid cover, KTL-coated steel, black



Locking handle and screw



End cap closed, galvanised, type 010

	Length mm	Width mm	Height mm	Internal channel cross-sect. cm ²	Weight kg	Item No.
Type 010, 1,0 m	1000	362	360	873	7,64	32087
Ductile iron solid cover, black, KTL-coated, locked, 0,5 m	500	349	20	-	11,80	32089
Ductile iron solid cover with opening for cables, (SW 128/49 mm), black, KTL-coated, locked, 0,5 m	500	349	20	-	14,10	32090
Cover for cable opening for ductile iron solid cover, KTL-coated steel, black	152	59	20	-	-	32048
Locking handle and screw	-	-	-	0,35	0,35	32094
End cap closed, galvanised, type 010	-	360	360	1,87	1,87	32093

SERVICE CHANNEL 300

Accessories

Cable routing system



Cable tray, galvanised,
SERVICE CHANNEL FASERFIX
KS 300, 1,0 m



Cable tray, galvanised,
SERVICE CHANNEL FASERFIX SUPER/
RECYFIX PRO 300, 1,0 m

	Length mm	Width mm	Height mm	Weight kg	Item No.
Cable tray, galvanised, SERVICE CHANNEL FASERFIX KS 300, 1,0 m	-	-	-	3,21	32095
Cable tray, galvanised, SERVICE CHANNEL FASERFIX SUPER/RECYFIX PRO 300, 1,0 m	-	-	-	4,20	32096

Factory-made services



Cutting to length
of NW 300



Mitre cuts NW 300
(price per cut, two cuts
necessary)

	Length mm	Width mm	Height mm	Weight kg	Item No.
Cutting to length of NW 300	-	-	-	-	993
Mitre cuts NW 300 (price per cut, two cuts necessary)	-	-	-	-	998

FASERFIX®
SUPER

FASERFIX®
KS

RECYFIX®
PLUS X

RECYFIX®
INC

RECYFIX®
MONOTEC

RECYFIX®
HICAP®F

FASERFIX®
POINT KS

FASERFIX®
TRAFFIC GUGIBLOC
RECYFIX®
TRAFFIC GUGIBLOC

SERVICE
CHANNEL

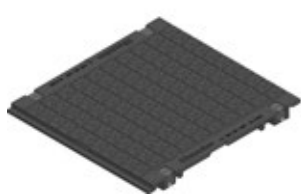
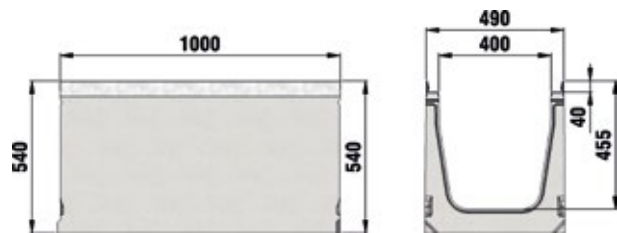
KERBFIX 305

SERVICE CHANNEL 400

Systems SERVICE CHANNELS

SERVICE CHANNEL FASERFIX®SUPER 400 made of fibre-reinforced concrete (Basalt fibres) with 40 mm angle housing, **class E 600**

Type 01 E, 1,0 m



Ductile iron solid cover, black, with plastic caps, 0,5 m



End cap closed, galvanised, type 01



Installation aid NW 400 (exclusively for laying channels! For laying 2 pieces are necessary) - due to security reasons no return can be made

	Length mm	Width mm	Height mm	Internal channel cross-sect. cm ²	Weight kg	Item No.
Type 01 E, 1,0 m	1000	490	540	1498	255,00	32097
Ductile iron solid cover, black, with plastic caps, 0,5 m	500	477	40	-	32,00	32098
End cap closed, galvanised, type 01	-	490	540	4,90	4,90	32099
Installation aid NW 400 (exclusively for laying channels! For laying 2 pieces are necessary) - due to security reasons no return can be made	-	-	-	5,23	5,23	136304

SERVICE CHANNEL 400

Accessories

Factory-made services



Cutting to length of NW 400

	Length mm	Width mm	Height mm	Weight kg	Item No.
Cutting to length of NW 400	-	-	-	-	985
Mitre cuts NW 400 (price per cut, two cuts necessary)	-	-	-	0,01	949

FASERFIX®
SUPER

FASERFIX®
KS

RECYFIX®
PLUS X

RECYFIX®
INC

RECYFIX®
MONOTEC

RECYFIX®
HICAP®F

FASERFIX®
POINT KS

FASERFIX®
TRAFFIC GUGIBLOC
RECYFIX®
TRAFFIC GUGIBLOC

SERVICE
CHANNEL

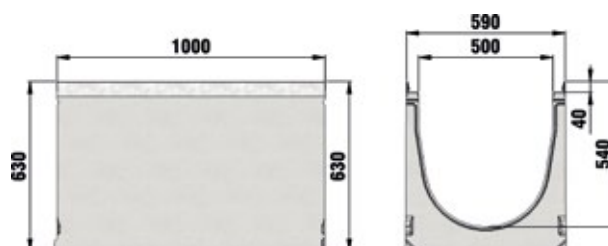
KERBFIX 305

SERVICE CHANNEL 500

Systems SERVICE CHANNELS

SERVICE CHANNEL FASERFIX®SUPER 500 made of fibre-reinforced concrete (Basalt fibres) with 40 mm angle housing, **class E 600**

Type 01, 1,0 m



Ductile iron solid cover, black, with plastic caps, 0,5 m



Ductile iron solid cover, black, KTL-coated, with plastic caps, locked, 0,5 m



End cap closed, galvanised, type 01



Installation aid NW 500 (exclusively for laying channels! For laying 2 pieces are necessary) - due to security reasons no return can be made

	Length mm	Width mm	Height mm	Internal channel cross-sect. cm ²	Weight kg	Item No.
Type 01, 1,0 m	1000	590	630	-	307,48	32101
Ductile iron solid cover, black, with plastic caps, 0,5 m	500	577	40	-	42,00	32102
Ductile iron solid cover, black, KTL-coated, with plastic caps, locked, 0,5 m	500	577	40	-	42,00	32347
End cap closed, galvanised, type 01	-	590	630	6,79	6,79	32103
Installation aid NW 500 (exclusively for laying channels! For laying 2 pieces are necessary) - due to security reasons no return can be made	-	-	-	6,51	6,51	136366

SERVICE CHANNEL 500

Accessories

Factory-made services



Cutting to length of NW 500

	Length mm	Width mm	Height mm	Weight kg	Item No.
Cutting to length of NW 500	-	-	-	-	989
Mitre cuts NW 500 (price per cut, two cuts necessary)	-	-	-	0,01	959

FASERFIX®
SUPER

FASERFIX®
KS

RECYFIX®
PLUS X

RECYFIX®
INC

RECYFIX®
MONOTEC

RECYFIX®
HICAP®F

FASERFIX®
POINT KS

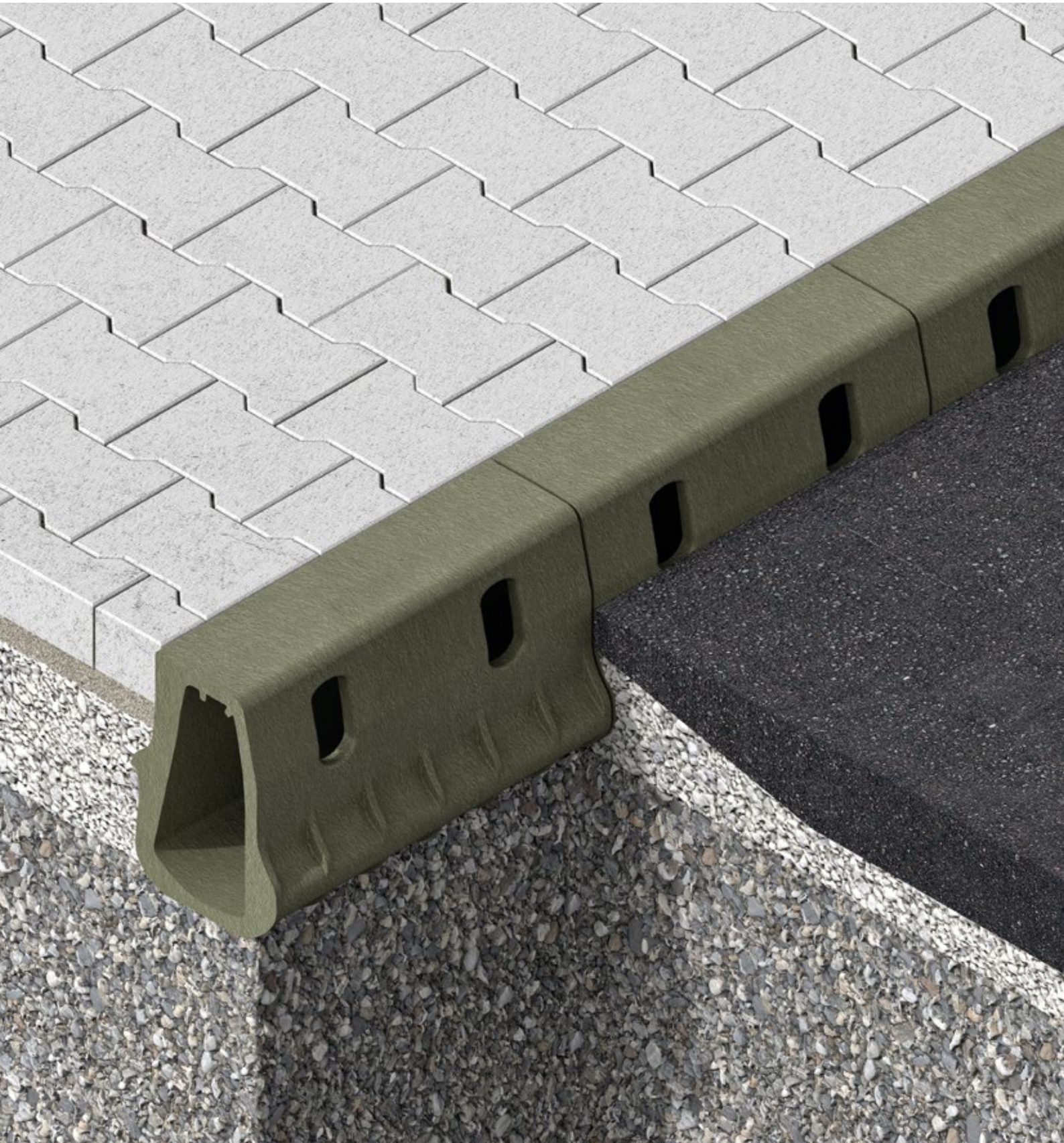
FASERFIX®
TRAFFIC GUGIBLOC
RECYFIX®
TRAFFIC GUGIBLOC

SERVICE
CHANNEL

KERBFIX 305

KERBFIX 305 **NEW**

Environmentally friendly heavy duty Kerb Drainage System.



**Police Headquarter
in Liverpool,
Great Britain**



YOUR BENEFITS WITH

KERBFIX 305 **NEW****HIGH HYDRAULIC PERFORMANCE**

- large usable volume
- smooth inner surface for superior flow characteristics (roughness value = 0,009)

= PERFORMANCE ASSURED

**LOW WEIGHT ENSURES EASY HANDLING ON SITE**

- significantly lighter than conventional kerb stones
- especially easy transport and fast installation
- example: **KERBFIX 305** half battered - weight 7 kg

= TIME & COST SAVINGS

**LOW MAINTENANCE**

- easy cleaning by rising through the inspection box
- durable high-quality appearance

= TIME & COST SAVINGS

**HIGH-GRADE MATERIAL**

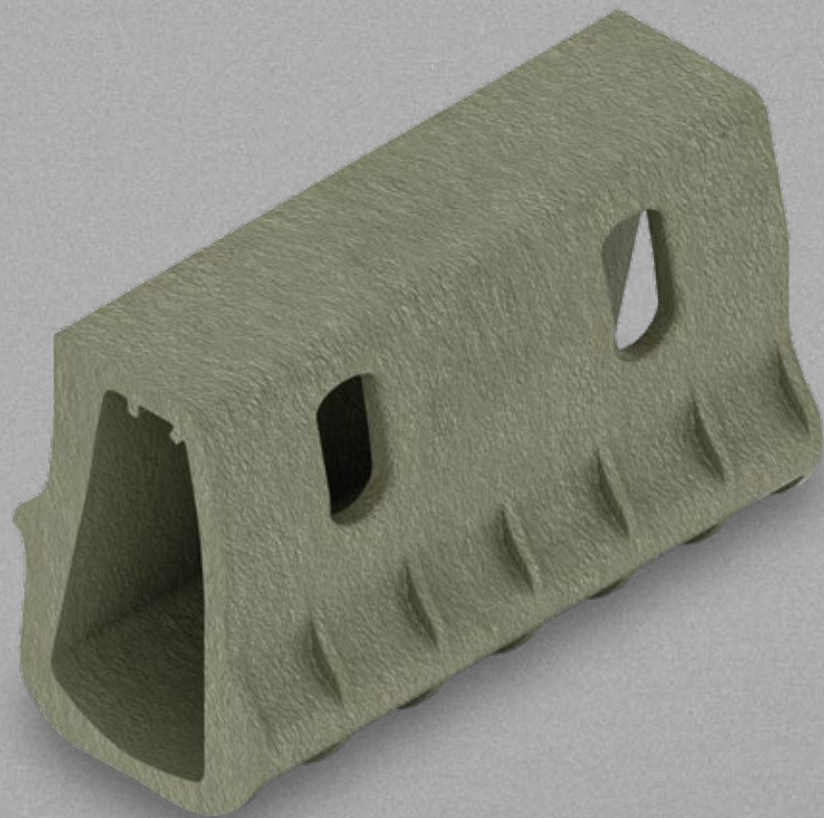
- especially robust material
- recycled and recyclable standard units → environmentally friendly
- KERBFIX can be cut, drilled and worked easily on site

= PERFORMANCE ASSURED / QUALITY ASSURED



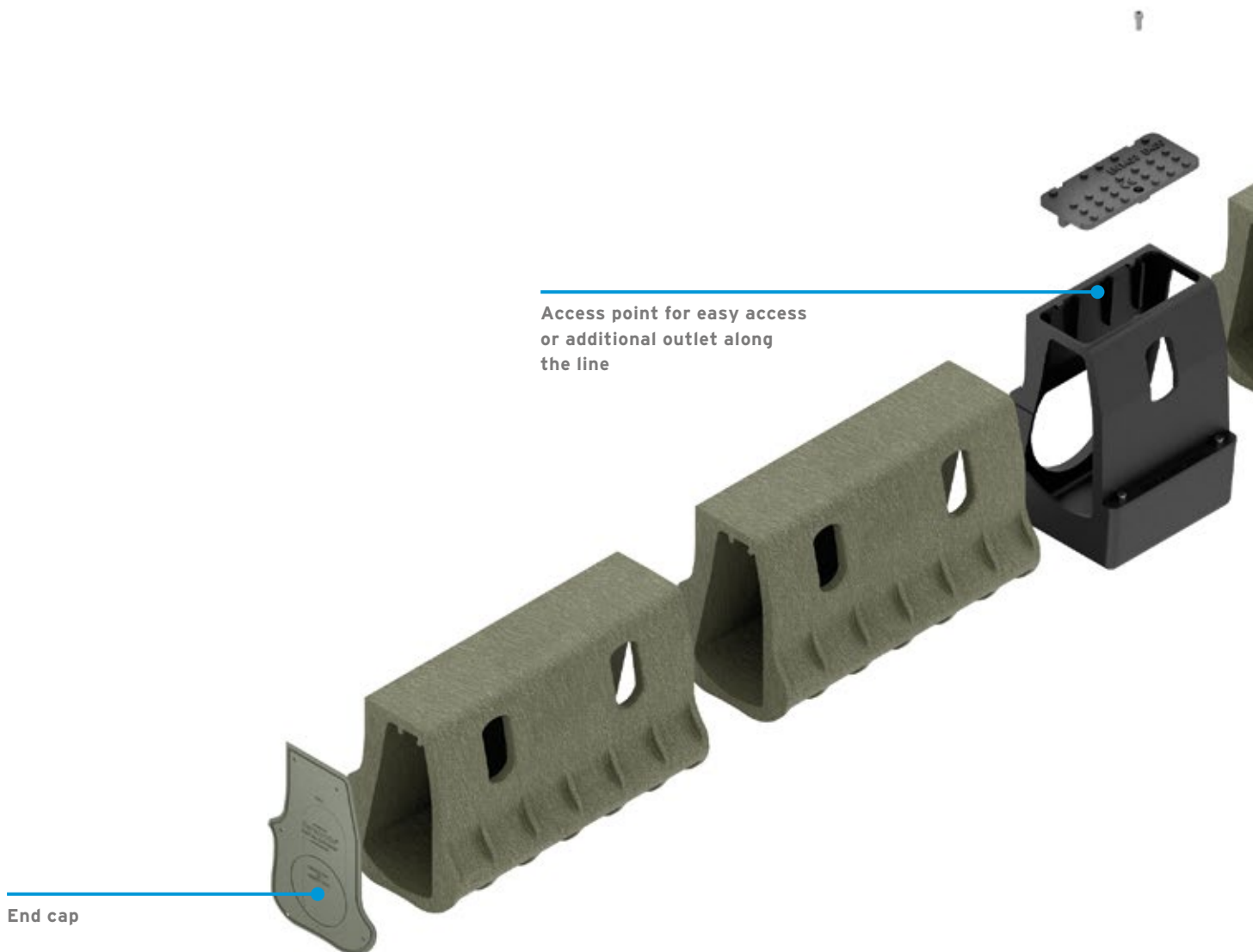
IDEAL FOR ...

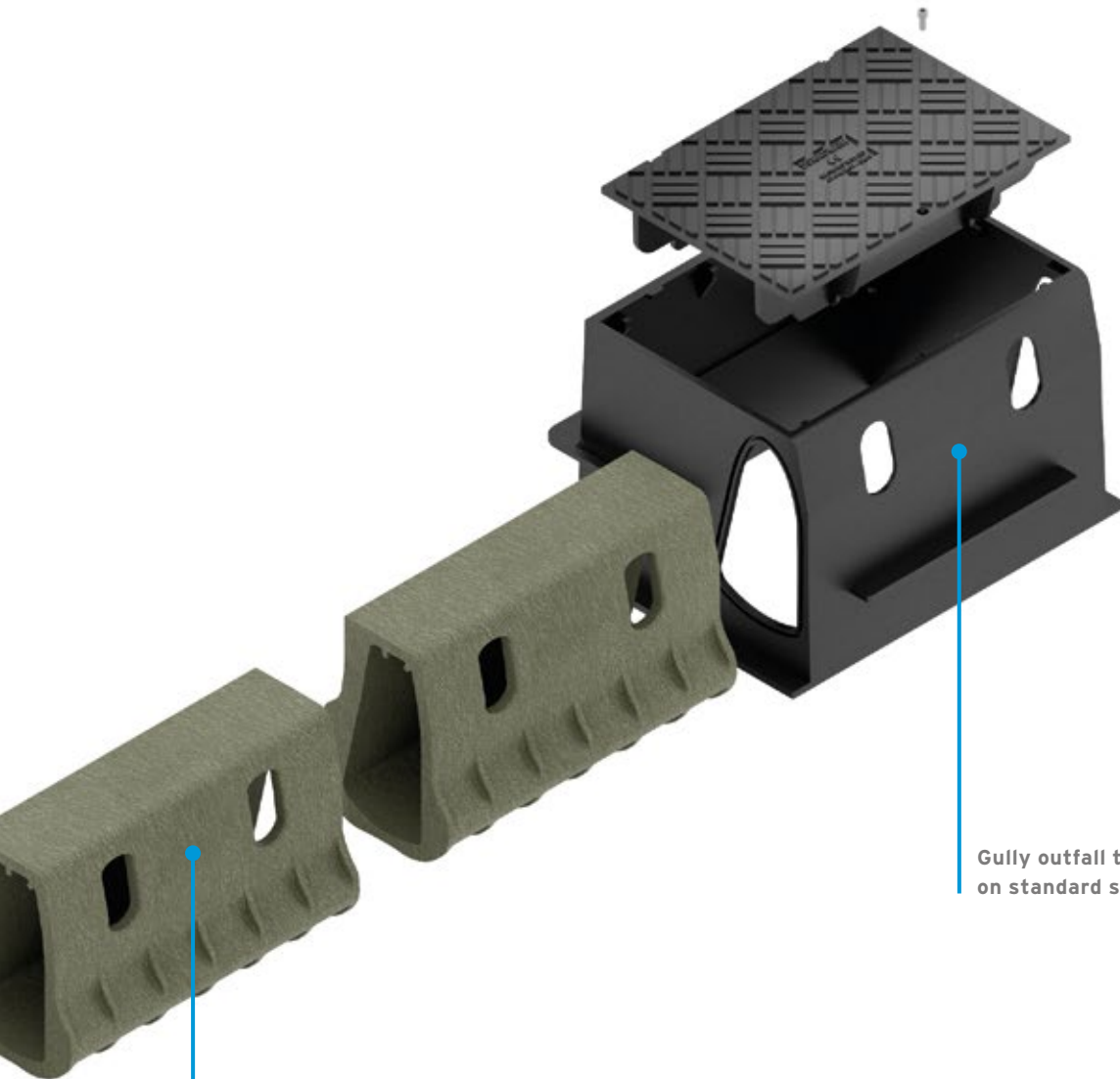
draining carriageways, car parks, retail and industry developments with a kerb-edge design.



KERBFIX 305 **NEW**

Environmentally friendly heavy duty Kerb Drainage System.





Lightweight Standard Unit
for fast installation

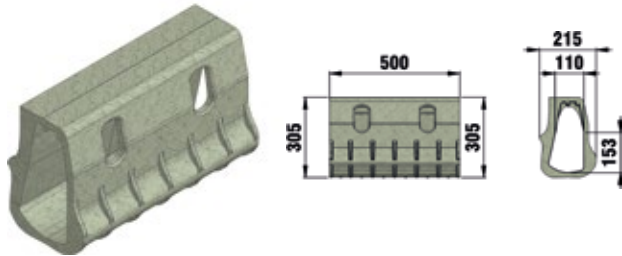
Gully outfall to be placed
on standard sized street outfall

FASERFIX® SUPER
FASERFIX® KS
RECYFIX® PLUS X
RECYFIX® INC
RECYFIX® MONOTEC
RECYFIX® HICAP®F
FASERFIX® POINT KS
FASERFIX® TRAFFIC GUGIBLOC RECYFIX® TRAFFIC GUGIBLOC
SERVICE CHANNEL
KERBFIX 305

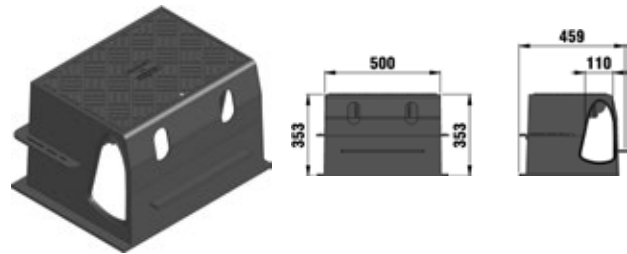
KERBFIX 305 **NEW**

305 Half Battered Kerb

305 Half Battered
Standard Unit



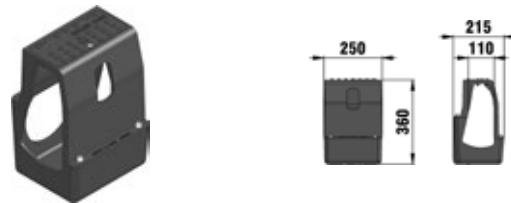
305 Half Battered
Gully Outfall



305 End Cap/Outlet



305 Half Battered
Rodding Access/Outlet Unit

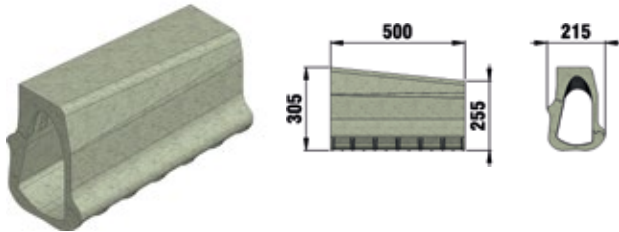


	Length mm	Width mm	Height mm	Internal channel cross-sect. cm ²	Intake cross-sect. cm ² /m	Weight kg	Item No.
305 Half Battered Standard Unit	500	215	305	255	184	7,00	10185
305 Half Battered Gully Outfall	500	459	353	-	-	78,00	10186
305 End Cap/Outlet	-	211	301	-	-	0,20	10187
305 Half Battered Rodding Access/Outlet Unit	250	215	360	-	-	19,00	10188

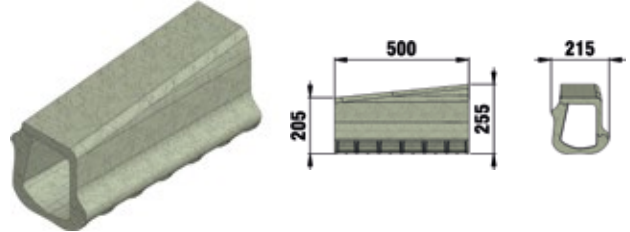
KERBFIX 305 **NEW**

Drop Kerbs

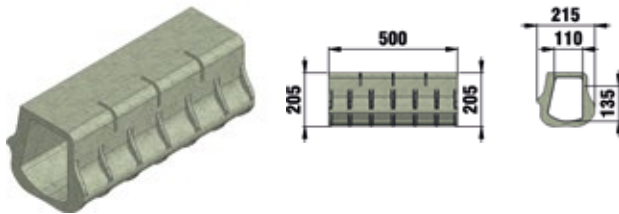
Left hand Drop Kerb L305



Right Hand Drop Kerb R255



Drainable Centre Stone



	Length mm	Width mm	Height mm	Internal channel cross-sect. cm ²	Intake cross-sect. cm ² /m	Weight kg	Item No.
Left hand Drop Kerb L305	500	215	255 - 305	224	-	7,00	10189
Left hand Drop Kerb L255	500	215	205 - 255	192	-	5,00	10190
Right Hand Drop Kerb R305	500	215	255 - 305	224	-	7,00	10191
Right Hand Drop Kerb R255	500	215	205 - 255	192	-	5,00	10192
Drainable Centre Stone	500	215	205	192	29	4,80	10193

FASERFIX®
SUPER

FASERFIX®
KS

RECYFIX®
PLUS X

RECYFIX®
INC

RECYFIX®
MONOTEC

RECYFIX®
HICAP®F

FASERFIX®
POINT KS

FASERFIX®
TRAFFIC GUGBLOC
RECYFIX®
TRAFFIC GUGBLOC

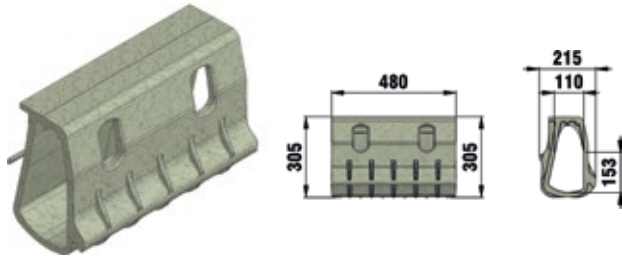
SERVICE
CHANNEL

KERBFIX 305

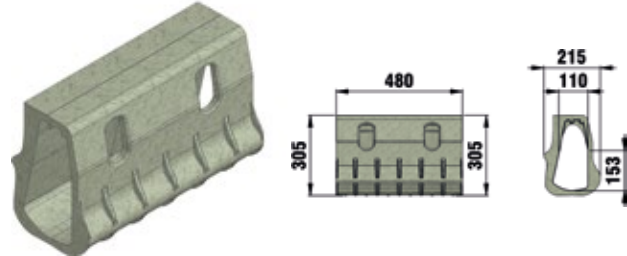
KERBFIX 305 **NEW**

Radii

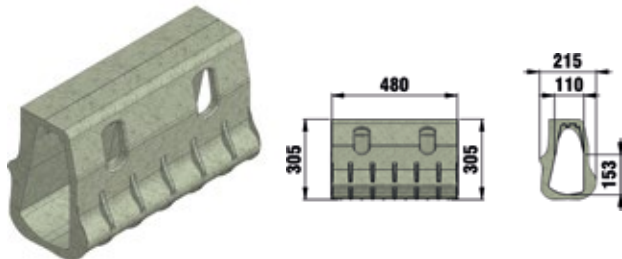
HB External Radius Unit 6/5



HB External Radius Unit 16/11



HB Internal Radius Unit 10/7



	Length mm	Width mm	Height mm	Internal channel cross-sect. cm ²	Intake cross-sect. cm ² /m	Weight kg	Item No.
HB External Radius Unit 6/5	480	215	305	255	184	7,00	10194
HB External Radius Unit 10/7	480	215	305	255	184	7,00	10195
HB External Radius Unit 16/11	480	215	305	255	184	7,00	10196
HB internal Radius Unit 6/5	480	215	305	255	184	7,00	10197
HB Internal Radius Unit 10/7	480	215	305	255	184	7,00	10198
HB Internal Radius Unit 16/11	480	215	305	255	184	7,00	10199

KERBFIX 305 **NEW**

90° Corners

External HB-90 Degree Corner



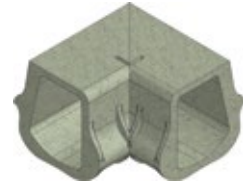
Internal HB-90 Degree Corner



External CS-90 Degree Corner



Internal CS-90 Degree Corner



	Length mm	Width mm	Height mm	Internal channel cross-sect. cm ²	Intake cross-sect. cm ² /m	Weight kg	Item No.
External HB-90 Degree Corner	300	215	305	255	153	7,00	10200
Internal HB-90 Degree Corner	300	215	305	255	51	7,00	10201
External CS-90 Degree Corner	300	215	205	192	26	7,00	10202
Internal CS-90 Degree Corner	300	215	205	192	9	7,00	10203

Accessories

	Length mm	Width mm	Height mm	Weight kg	Item No.
One Part Low Modulus Polyurethane Sealant	-	-	-	2,00	10204

FASERFIX[®]
SUPER

FASERFIX[®]
KS

RECYFIX[®]
PLUS X

RECYFIX[®]
INC

RECYFIX[®]
MONOTEC

RECYFIX[®]
HICAP[®]F

FASERFIX[®]
POINT KS

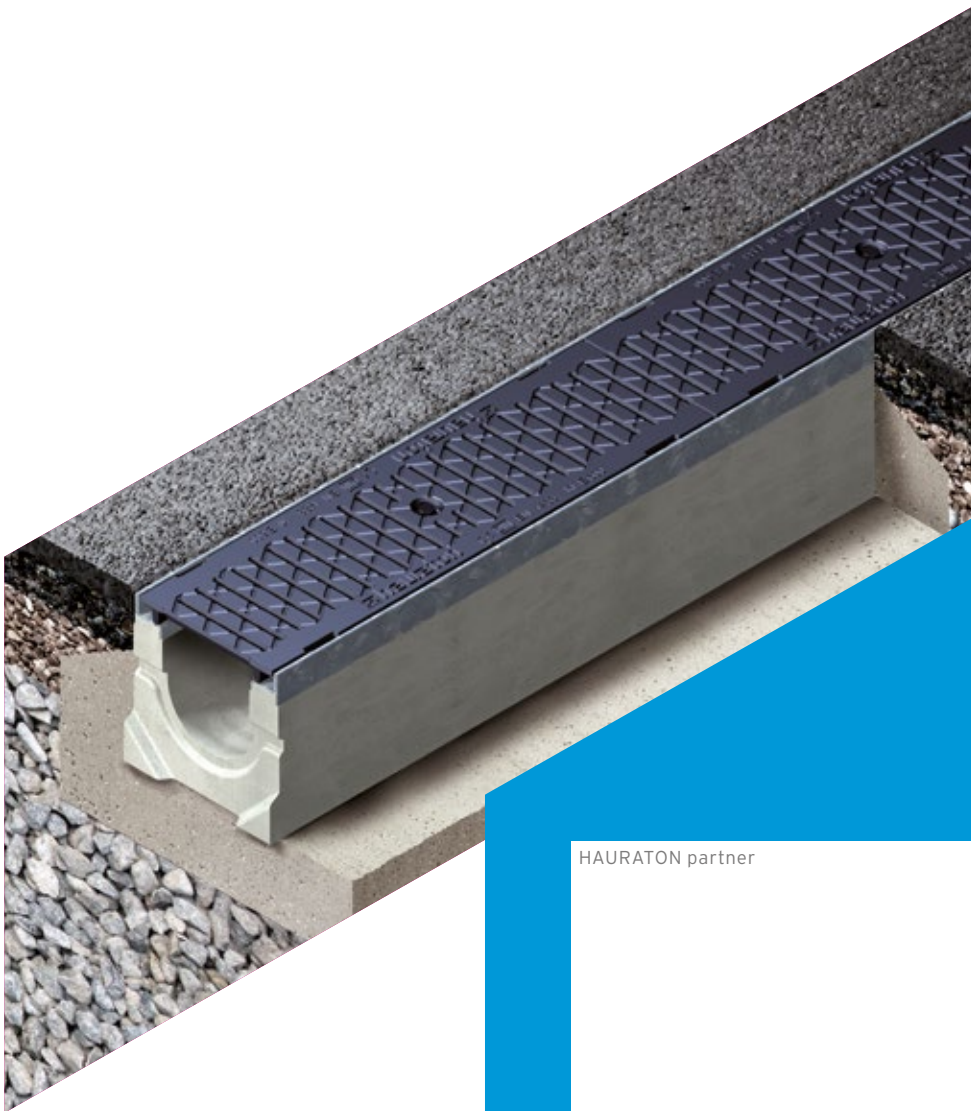
FASERFIX[®]
TRAFFIC GUGIBLOC
RECYFIX[®]
TRAFFIC GUGIBLOC

SERVICE
CHANNEL

KERBFIX 305



Tel.: +49 7222 958-0
export@hauraton.com • www.hauraton.com
HAURATON GmbH & Co. KG • Werkstraße 13 • 76437 Rastatt • Germany



HAURATON partner

01/2023 | Printed in Germany
All drawings, measurements and weights
are noncommittal! We reserve the right
to do technical changes for improvement
EN 001-05-0123